

REVISIONS				
ZONE	LTR	DESCRIPTION	DATE	APPROVED
A		NEW RELEASE PER E.O. H23612	09/06	DEC
B		REVISED PER ECN #23783	11/06	DEC
C		REVISED PER ECN H302213	08/11	LLF

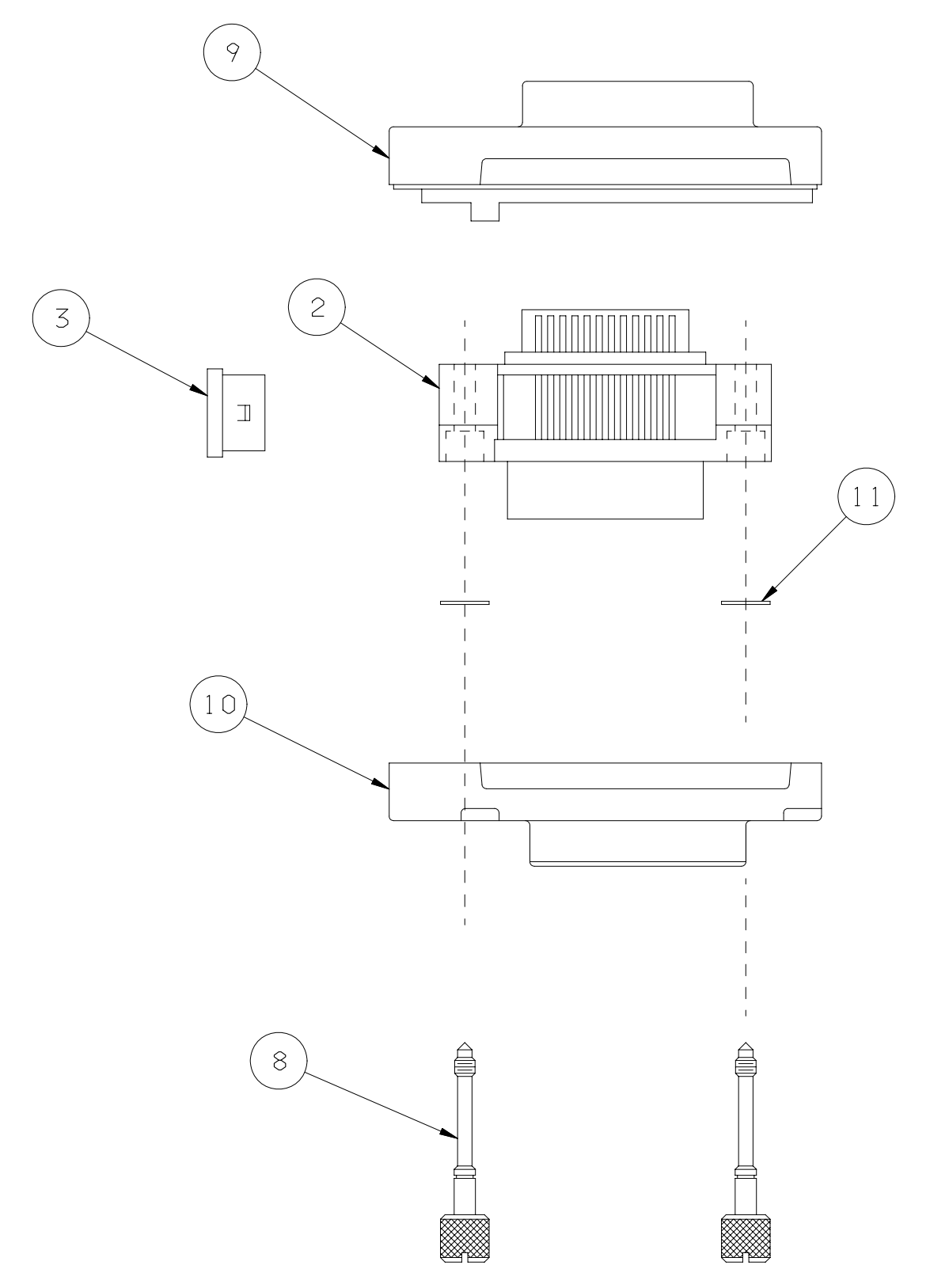
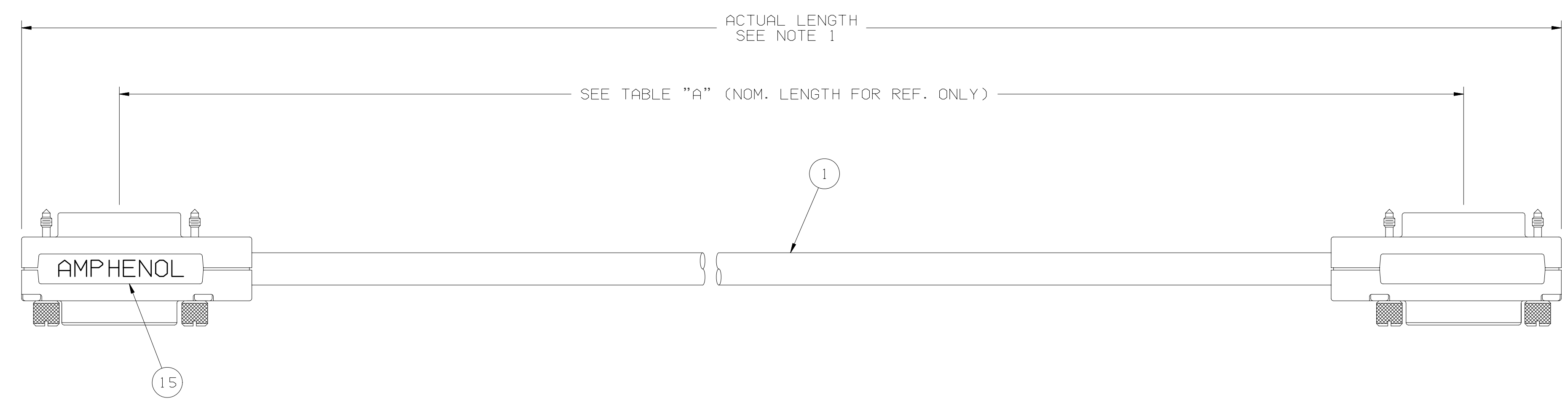


TABLE A

AMPHENOL P/N	AMPH.ACD P/N	NOM. LENGTH	ACTUAL LENGTH
56019XX01	GP-IE156327SS-000.3	.3 METER	.4 METER +.10/-.05
56019XX02	GP-IE156327SS-000.5	.5 METER	.6 METER +.10/-.05
56019XX03	GP-IE156327SS-001	1 METER	1.1 METER +.15/-.05
56019XX04	GP-IE156327SS-002	2 METER	2.1 METER +.15/-.05
56019XX05	GP-IE156327SS-003	3 METER	3.1 METER +.15/-.05
56019XX06	GP-IE156327SS-004	4 METER	4.1 METER +.15/-.05
56019XX07	GP-IE156327SS-005	5 METER	5.1 METER +.15/-.05
56019XX08	GP-IE156327SS-006	6 METER	6.1 METER +.15/-.05
56019XX09	GP-IE156327SS-008	8 METER	8.1 METER +.15/-.05

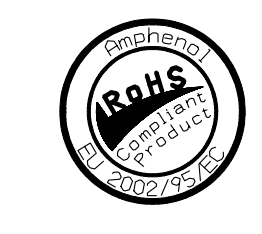
WIRE RUN LIST

PIN ASSIGNMENTS (TYP. ALL CONNECTORS)			
PIN NUMBER	WIRE COLOR	PIN NUMBER	WIRE COLOR
1	WHT/BLK/BRN	13	WHT/BLK/GRN
2	WHT/BLK/RED	14	WHT/BLK/BLU
3	WHT/BLK/ORN	15	WHT/GRAY
4	WHT/BLK/YEL	16	WHITE
5	BLACK	17	VIOLET
6	BROWN	18	WHT/BRN
7	RED	19	WHT/RED
8	ORANGE	20	WHT/ORN
9	YELLOW	21	WHT/YEL
10	GREEN	22	WHT/GRN
11	BLUE	23	WHT/BLU
12	OUTER DRAIN	24	WHT/BLK
		24	WHT/VIO
		24	INNER DRAIN

9. SIMILAR TO AMPHENOL DRAWING C156327.
8. APPLY ANTI-STATIC BUBBLE WRAP OVER EACH END ON EACH ASSEMBLY.
7. ALL MATERIALS USED IN THE MANUFACTURE OF THIS ASSEMBLY SHALL COMPLY WITH AMPHENOL REGULATED MATERIALS SPECIFICATION CS-1152.
6. EACH ASSEMBLY IS TO BE PACKAGED IN PINK ANTI-STATIC PLASTIC BAG MATERIAL.
5. DELETED.
4. MAXIMUM ALLOWABLE ROTATION OF STRAIN RELIEF IN ASSEMBLY SHALL BE 15 DEGREES.
3. CRIMP IN CRIMP RING IS TO MATE WITH ANTI-ROTATION PROTRUSION OF HOUSING HALVES.
2. ASSEMBLY TESTING:
 - A) EACH CABLE SHALL BE TESTED TO ENSURE THAT THERE ARE NO DISCONTINUITIES AND NO SHORTS EXIST.
 - B) NO SHORT SHALL EXIST BETWEEN ADJACENT PINS. (I.E. 1 & 2, 2 & 3 ...)
 - C) A "SHORT IS DEFINED AS A RESISTANCE OF LESS THAN 20 MEGAOHMS.
 - D) A DISCONTINUITY IS DEFINED AS A RESISTANCE OF 2 OHMS OR GREATER.
1. THIS DIMENSION TABULATED UNDER 'ACTUAL LENGTH' IN TABLE A.

NOTES: UNLESS OTHERWISE SPECIFIED

UNLESS OTHERWISE SPECIFIED DIMENSIONS ARE IN INCHES TOLERANCE ON		
FRAC-TION	DECIMAL	ANGLE
±	±	±



SIGNATURES		DATE
DRAWN	D. CASHIMERE	09/06
CHECKED		
APPROVED		
APPROVED		

Amphenol Interconnect Products 20 VALLEY ST. ENDCOTT, N.Y. 11760

CABLE ASSEMBLY, ROUND-24 POSITION IEEE PLUG/RCPT, DIECAST ENCLOSURE, DELUXE

SIZE **D** 56019XXXX REV **C**

SCALE: NONE SHEET 1 OF 1

X-ON Electronics

Largest Supplier of Electrical and Electronic Components

Click to view similar products for [Ribbon Cables / IDC Cables](#) category:

Click to view products by [Amphenol](#) manufacturer:

Other Similar products are found below :

[0011000](#) [0011002](#) [0011009](#) [0011012](#) [0011018](#) [0011019](#) [0011020](#) [0011021](#) [0011022](#) [0011027](#) [0011029](#) [0011030](#) [0011036](#) [0011104](#)
[0011113](#) [0011114](#) [0011115](#) [0011116](#) [0011117](#) [0011136](#) [0011137](#) [0011138](#) [0011139](#) [0011140](#) [0011150](#) [0011151](#) [0011152](#) [0011160](#)
[0011161](#) [0011180](#) [0011181](#) [0011182](#) [0011183](#) [0011187](#) [0011188](#) [0011190](#) [0011194](#) [0011195](#) [0011197](#) [0011202](#) [0011204](#) [0011222](#)
[0011223](#) [0011224](#) [0011234](#) [0011302](#) [0011404](#) [0012101](#) [0012102](#) [0012202](#)