

REVISIONS				
ZONE	LTR	DESCRIPTION	DATE	APPROVED
A		NEW RELEASE PER E.O. #23612	09/06	DEC
B		REVISED PER ECN #23783	11/06	DEC
C		REVISED PER ECN #301254	05/10	LLF
D		REVISED PER ECN #302213	08/11	LLF

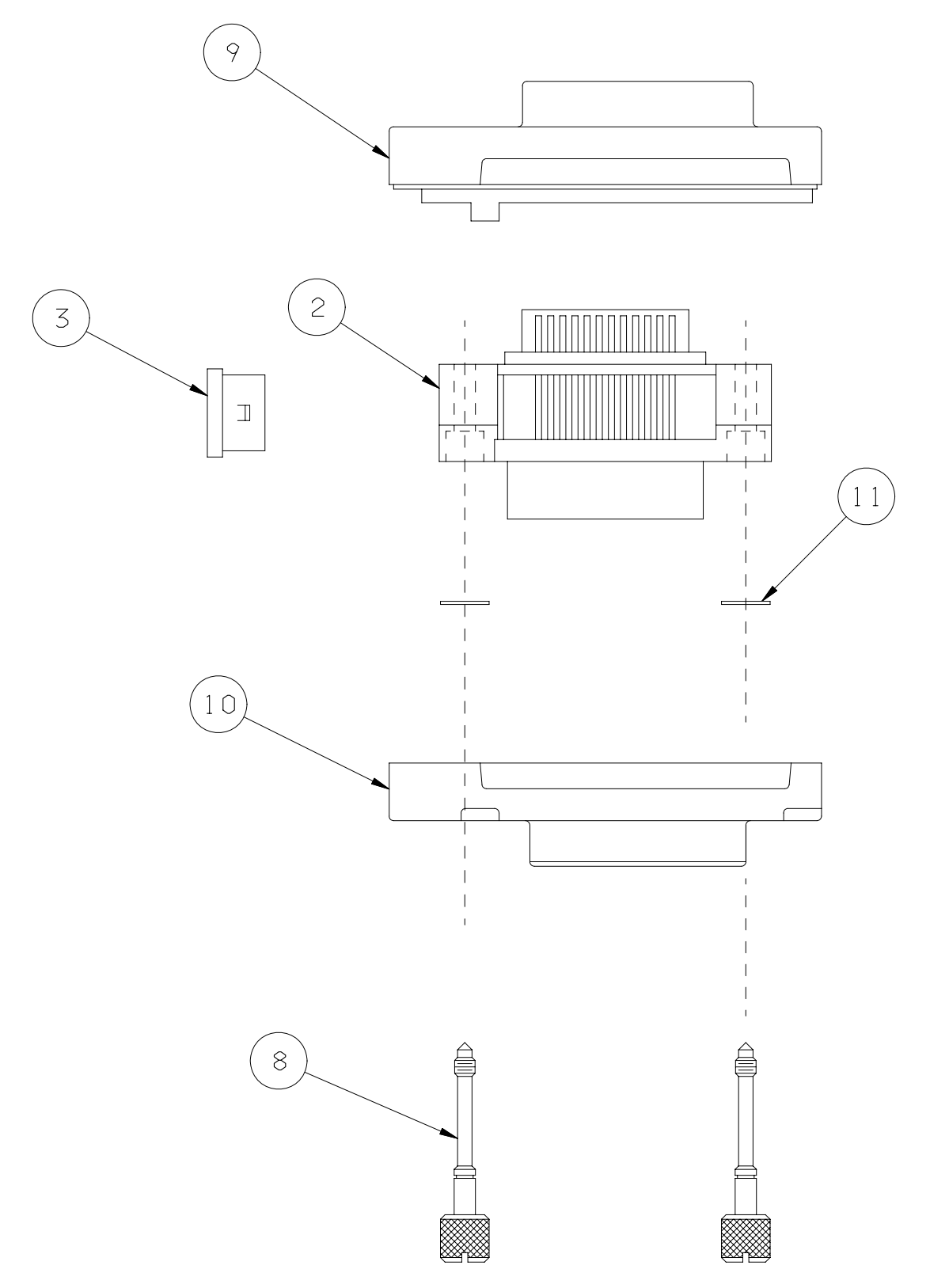
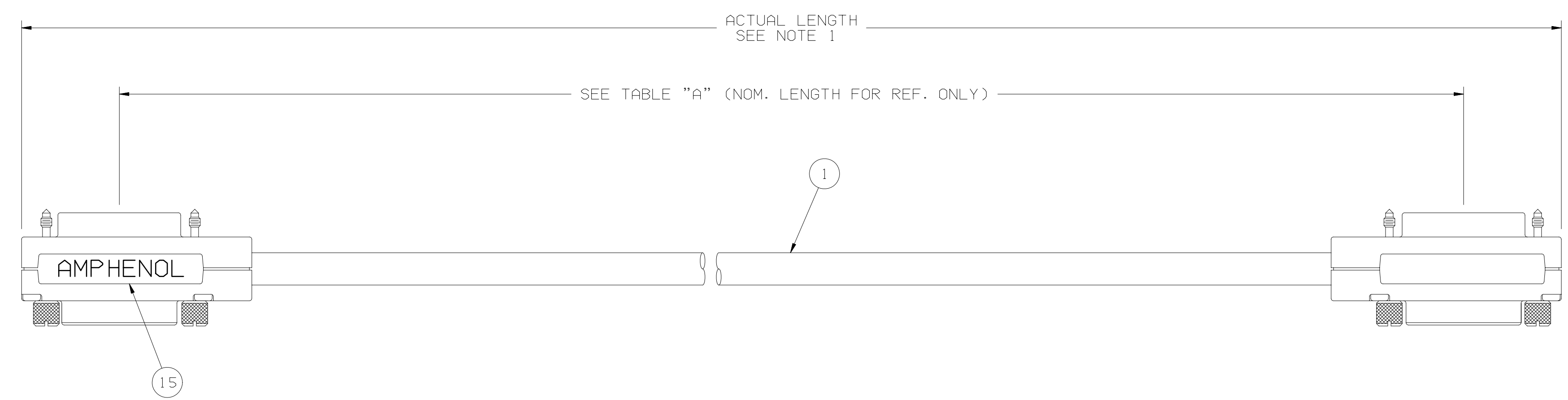


TABLE A

AMPHENOL P/N	AMPH.ACD P/N	NOM. LENGTH	ACTUAL LENGTH
56020XX01	GP-IE515546DS-000.3	.3 METER	.4 METER +.10/-.05
56020XX02	GP-IE515546DS-000.5	.5 METER	.6 METER +.10/-.05
56020XX03	GP-IE515546DS-001	1 METER	1.1 METER +.15/-.05
56020XX04	GP-IE515546DS-002	2 METER	2.1 METER +.15/-.05
56020XX05	GP-IE515546DS-002.5	2.5 METER	2.6 METER +.15/-.05
56020XX06	GP-IE515546DS-003	3 METER	3.1 METER +.15/-.05
56020XX07	GP-IE515546DS-004	4 METER	4.1 METER +.15/-.05
56020XX08	GP-IE515546DS-005	5 METER	5.1 METER +.15/-.05
56020XX09	GP-IE515546DS-006	6 METER	6.1 METER +.15/-.05
56020XX10	GP-IE515546DS-008	8 METER	8.1 METER +.15/-.05
56020XX11	GP-IE515546DS-010	10 METER	10.1 METER +.20/-.05
56020XX12	GP-IE515546DS-012	12 METER	12.1 METER +.20/-.05
56020XX13	GP-IE515546DS-015	15 METER	15.1 METER +.20/-.05
56020XX14	GP-IE515546DS-018	18 METER	18.1 METER +.20/-.05

WIRE RUN LIST

PIN ASSIGNMENTS (TYP. ALL CONNECTORS)			
PIN NUMBER	WIRE COLOR	PIN NUMBER	WIRE COLOR
1	WHT/BRN *	13	WHT/GRN *
2	WHT/RED *	14	WHT/BLU *
3	WHT/ORN *	15	WHT/GRAY *
4	WHT/YEL *	16	WHITE *
5	BLACK	17	VIOLET
6	BROWN	18	WHT/BRN
7	RED	19	WHT/RED
8	ORANGE	20	WHT/ORN
9	YELLOW	21	WHT/YEL
10	GREEN	22	WHT/GRN
11	BLUE	23	WHT/BLU
12	OUTER DRAIN	24	WHT/BLK
		24	WHT/VIO
		24	INNER DRAIN

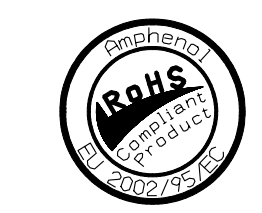
* = INNER CORE COLORS

9. SIMILAR TO AMPHENOL DRAWING 51554XXXX.
8. APPLY ANTI-STATIC BUBBLE WRAP OVER EACH END ON EACH ASSEMBLY.
7. ALL MATERIALS USED IN THE MANUFACTURE OF THIS ASSEMBLY SHALL COMPLY WITH AMPHENOL REGULATED MATERIALS SPECIFICATION CS-1152.
6. EACH ASSEMBLY IS TO BE PACKAGED IN PINK ANTI-STATIC PLASTIC BAG MATERIAL.
5. DELETED.
4. MAXIMUM ALLOWABLE ROTATION OF STRAIN RELIEF IN ASSEMBLY SHALL BE 15 DEGREES.
3. CRIMP IN CRIMP RING IS TO MATE WITH ANTI-ROTATION PROTRUSION OF HOUSING HALVES.
2. ASSEMBLY TESTING:
 - A) EACH CABLE SHALL BE TESTED TO ENSURE THAT THERE ARE NO DISCONTINUITIES AND NO SHORTS EXIST.
 - B) NO SHORT SHALL EXIST BETWEEN ADJACENT PINS. (I.E. 1 & 2, 2 & 3 ...)
 - C) A "SHORT IS DEFINED AS A RESISTANCE OF LESS THAN 20 MEGAOHMS.
 - D) A DISCONTINUITY IS DEFINED AS A RESISTANCE OF 2 OHMS OR GREATER.
1. THIS DIMENSION TABULATED UNDER 'ACTUAL LENGTH' IN TABLE A.

NOTES: UNLESS OTHERWISE SPECIFIED

SPECIFICATION CONTROL DRAWING

UNLESS OTHERWISE SPECIFIED DIMENSIONS ARE IN INCHES TOLERANCE ON FRAC-TION DECIMAL ANGLE ± ± ± ±	EAR NO.	Amphenol Interconnect Products <small>20 VALLEY ST. ENDCOTT, N.Y. 13600</small>	
	SIGNATURES	DATE	CABLE ASSEMBLY, ROUND-24 POSITION IEEE PLUG/RCPT, DIECAST ENCLOSURE, PREMIUM
	DRAWN D. CASHIMERE	09/06	
	CHECKED		
APPROVED		SIZE	REV
APPROVED		D	56020XXXX
		SCALE: NONE	SHEET 1 OF 1



X-ON Electronics

Largest Supplier of Electrical and Electronic Components

Click to view similar products for [Ribbon Cables / IDC Cables](#) category:

Click to view products by [Amphenol](#) manufacturer:

Other Similar products are found below :

[FSK-12A](#) [AWG28-10G](#) [EHJ3C](#) [EHJ4C](#) [cab-LVDV-PWR-10-15](#) [FSP-25A](#) [cab-LVDV-DAT-34-15](#) [49635-C62-S2](#) [1-3636-600-5204](#) [92315-1408](#) [426171120-3](#) [2-1589735-3](#) [JSM015PP2DCC23N](#) [92301-0283](#) [ACL-eSSI-2](#) [92301-0718](#) [MMSDT-06-20-S-05.5-D-K-LDX](#) [IDD-04-G](#) [NM-2J2-051-PS1-JJAB](#) [1700/14SF \(100FT\)](#) [1700/26SF \(100FT\)](#) [1700/34SF \(100FT\)](#) [3801/09 \(100FT\)](#) [119-885](#) [318-818](#) [318-818-25](#) [318-818-50](#) [DS1057-06A282R-30.5](#) [DS1057-09A282R-30.5](#) [DS1057-12A282R-30.5](#) [DS1057-14A282R-76.5](#) [DS1057-20A282R-76.5](#) [DS1057-30A282R-76.5](#) [DS1057-34A282R-76.5](#) [DS1057-40A282R-76.5](#) [DS1057-60A282R-76.5](#) [DS1057-64A282R-76.5](#) [DS1058-08M28-30.5](#) [DS1058-30M28-30.5](#) [3750/10 \(100FT\)](#) [0015712](#) [0015905](#) [S30109](#) [11203](#) [11223](#) [11243](#) [11262](#) [0037147](#) [0022512](#) [0022412](#)