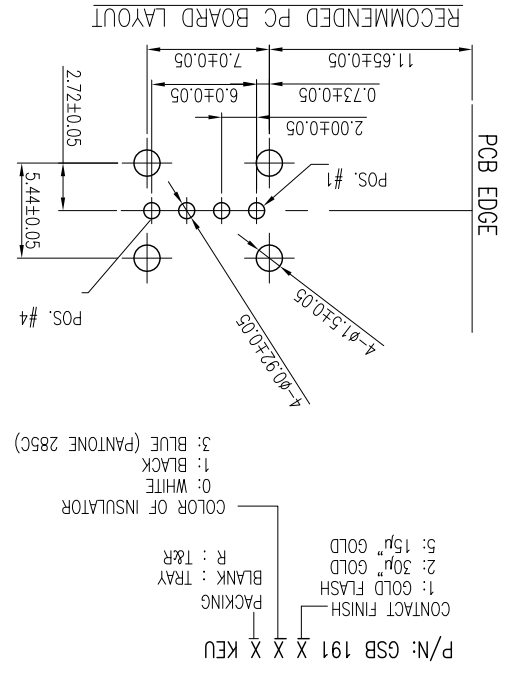
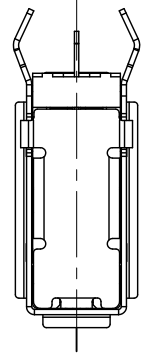
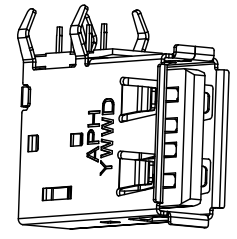
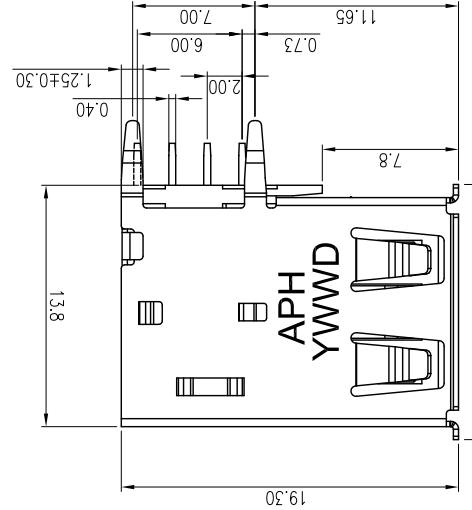
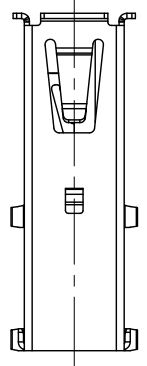
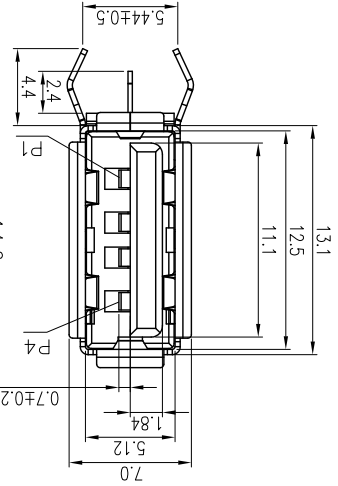
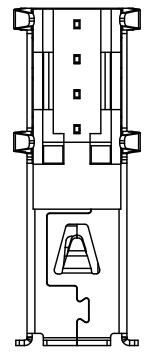


This document is the property of Amphenol Corporation and is delivered on the express condition that it is not to be disclosed, reproduced or used, in whole or in part, for manufacture or sale by anyone other than Amphenol Corporation without its prior consent, and that no right is granted to disclose or to use any information in this document.

The marking on this product doesn't contain environmental hazardous materials per Material Specification 55-00259 for Sony GP compliant or per directive 2011/65/EU for Rohs compliant.



P/N: GSB 191 X X KEU

CONTACT FINISH  
 1: GOLD FLASH  
 2: 30µ" GOLD  
 5: 15µ" GOLD

PACKING  
 BLANK : TRAY  
 R : T&R

COLOR OF INSULATOR  
 0: WHITE  
 1: BLACK  
 3: BLUE (PANTONE 285C)

- NOTES:
1. HOUSING: PBT, UL94V-0, COLOR- WHITE OR BLACK OR BLUE
  2. BOTTOM COVER: HTN, UL94V-0, COLOR- WHITE OR BLACK OR BLUE
  3. CONTACT: PHOSPHOR BRONZE, 0.25 MM THICKNESS SELECTIVE GOLD PLATED ON CONTACT AREA, 100µ" MIN. TIN PLATED ON SOLDERING AREA, 50µ" MIN. NICKEL UNDER-PLATING OVERALL
  4. SHELL: BRASS, 0.3 MM THICKNESS, 50µ" MIN. NICKEL PLATED OVERALL
  5. REAR SHELL: SPCC, 0.3 MM THICKNESS, 50µ" MIN. NICKEL PLATED OVERALL
  6. FOR WAVE SOLDERING PROCESS ONLY.
  7. PRODUCT SPECIFICATION REFER TO : PS-7329
  8. THIS PRODUCT DOESN'T CONTAIN ENVIRONMENTAL HAZARDOUS MATERIALS PER DIRECTIVE 2011/65/EU FOR ROHS.

REVISIONS		
SYM	ECN No.	DESCRIPTION
A		RELEASE TO PRODUCTION
B	NE-10180	MODIFIED DRAWING
C	NE-14038	CHANGE P/N FOR ADD T&R PACKING
D	NE-16300	ADD D/C AND 0.7mm DIM & UPDATE COVER PBT TO HTN
APPROVED		

TOLERANCE		DRAWN		DATE		TITLE	
X X.X X.XX X.XXX ±1		Debby Hung		02/24/2017		UNIVERSAL SERIAL BUS RECEPTACLE, SERIES A UPRIGHT PCB MOUNT	
APPROVED		CHECKED		DATE		PART No.	
Arron Lin		Roger Tsai		02/24/2017		A3	
DWG TYPE		PROJECT CODE		SCALE		SHEET	
CUST DWG		OTHER		NA		1 OF 3	
UNLESS OTHERWISE SPECIFIED		PROJECT CODE		UNIT		DWG No.	
		02/24/2017		mm		GSB191XXXXKEU	
		02/24/2017				REV. D	
		02/24/2017				GSB191XXXXKEU	

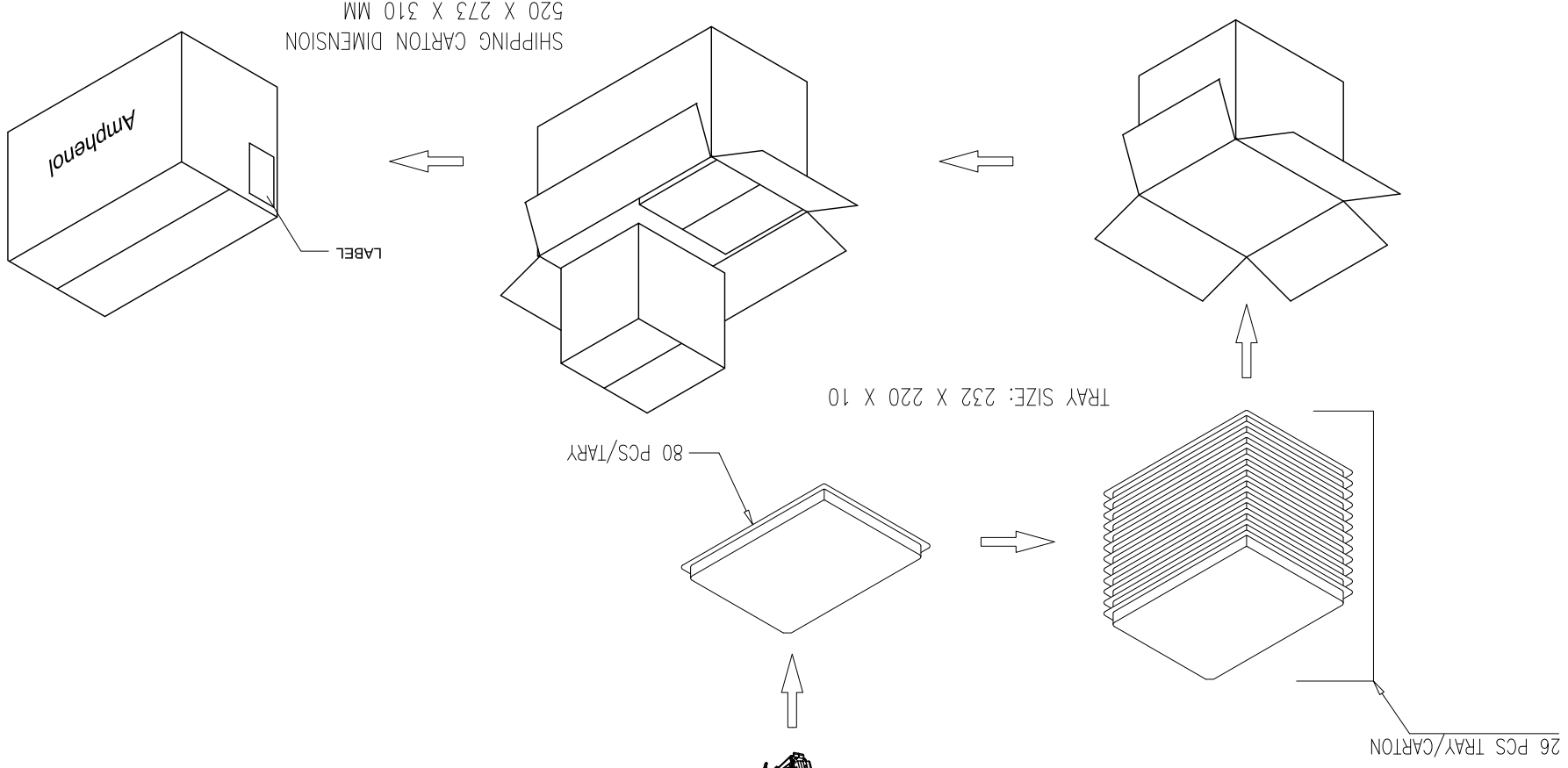
8 7 6 5 4 3 2 1

F E D C B A

This document is the property of Amphenol Corporation and is delivered on the express condition that it is not to be disclosed, reproduced or used, in whole or in part, for manufacture or sale by anyone other than Amphenol Corporation without its prior consent, and that no right is granted to disclose or to use any information in this document.

The marking on this product doesn't contain environmental hazardous materials per Material Specification 5S-00259 for Sony GP compliant or per directive 2011/65/EU for RoHS compliant.

REVISIONS		DATE	APPROVED
SYM	ECN No.	DESCRIPTION	
A		RELEASE TO PRODUCTION	Hank Hsu
B	NE-10180	MODIFIED DRAWING	Arron Lin
C	NE-14038	CHANGE P/N FOR ADD TR&R PACKING	Arron Lin
D	NE-16300	ADD D/C AND 0.7mm DIM & UPDATE COVER PRT TO HTN	Arron Lin



PART NUMBER	G/W	N/W	PARTS PER CARTON<S.P.Q>	PARTS PER TRAY	TOTEL TRAYS PER CARTON
GSB191XXKEU	<KG>	<KG>	4160	80	52

TOLERANCE		APPROVALS		DATE	TITLE
X	±0.30	DRAWN	Deby Hung	02/24/2017	UNIVERSAL SERIAL BUS RECEPTACLE, SERIES A UPRIGHT PCB MOUNT
X.X	±0.20	CHECKED	Roger Tsai	02/24/2017	Amphenol Corporation
X.XXX	±0.10	APPROVED	Arron Lin	02/24/2017	Amphenol Taiwan Corporation
ANGULAR ±1		DWG TYPE		CUST DWG	PROJECT CODE
		OTHER		OTHER	PROJECT CODE

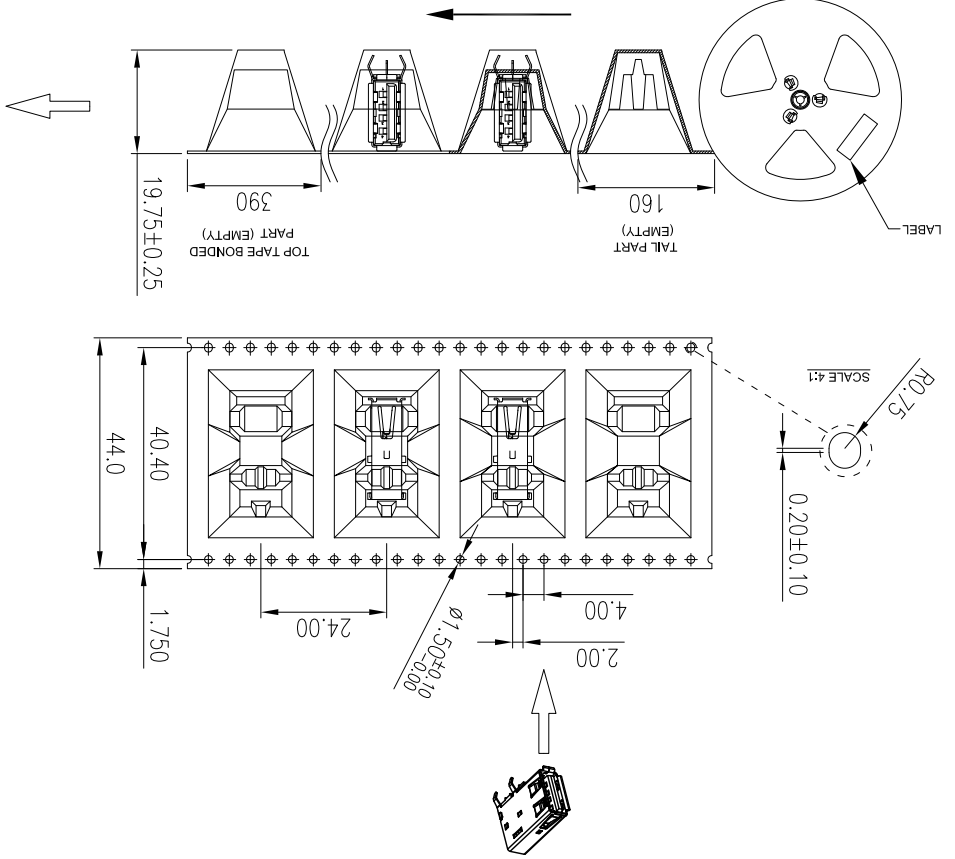
REV	DWG No.	SHEET	SCALE	UNIT	SIZE	PART No.	REV
D	GSB191XXKKEU	2 OF 3	NA	mm	A3	GSB191XXKKEU	8

This document is the property of Amphenol Corporation and is delivered on the express condition that it is not to be disclosed, reproduced or used, in whole or in part, for manufacture or sale by anyone other than Amphenol Corporation without its prior consent, and that no right is granted to disclose or to use any information in this document.

The marking on this product doesn't contain environmental hazardous materials per Material Specification 55-00259 for Sony GP compliant or per directive 2011/65/EU for RoHS compliant.

REV	DATE	DESCRIPTION	APPROVED
A	11/06/2008	RELEASE TO PRODUCTION	Hank Hsu
B	11/04/2010	MODIFIED DRAWING	
C	03/18/2014	CHANGE P/N FOR ADD T&R PACKING	Arron Lin
D	02/24/2017	ADD D/C AND 0.7mm DIM & UPDATE COVER PRT TO H1N	Arron Lin

NOTES:  
 1. STAPLES SHOULD ONLY BE USED TO SET UP CARTON.  
 ALL CARTON CLOSERS MUST BE DONE WITH TAPE.  
 2. FILL PACKAGING TRAYS WITH THE QUANTITIES AS INDICATED IN THE CHART.  
 3. SHIPPING CARTON DIMENSION: 690 X 360 X 325 MM.



PART NUMBER	G/W	N/W	PARTS PER CARTON<S.P.Q>	PARTS PER REELS	TOTEL REELS PER CARTON
GSB191XXRKEU	<KG>	<KG>	1440	120	12

TITLE	DATE	APPROVALS	DATE	APPROVED	DATE	APPROVED	DATE	APPROVED
UNIVERSAL SERIAL BUS RECEPTACLE, SERIES A UPRIGHT PCB MOUNT	02/24/2017	Deby Hung	02/24/2017	Checked	02/24/2017	Roger Tsai	02/24/2017	Approved
Amphenol Corporation								
Amphenol Taiwan Corporation								
GSB191XXRKEU								
GSB191XXRKEU								

## X-ON Electronics

Largest Supplier of Electrical and Electronic Components

*Click to view similar products for [USB Connectors](#) category:*

*Click to view products by [Amphenol](#) manufacturer:*

Other Similar products are found below :

[10033527-N3112MLF](#) [17-210561](#) [GMCB05B11124H1EU](#) [17-200931](#) [65-647-8-BK-BU](#) [690-010-295-484](#) [73725-1191BLF](#) [950](#) [E8144-B01021-L](#) [A-USB A-LP-SMT-C](#) [A-USB B-TOP-C](#) [MUSBA511N5](#) [MUSBB15131](#) [MUSBC111M5](#) [MUSBD11135](#) [217450-1](#) [CA 6 W LD](#)  
[896-30-004-00-000000](#) [KUSBVX-BS1N-W30](#) [KUSBX-AP-KIT-SCBLK](#) [KUSBX-AS2N-W](#) [KUSBX-SMT2AP1S-W](#) [KUSBX-SMTAS1NBTR](#) [KUSBX-SMTBS1NBTR](#) [30-498-6](#) [SK-60A-2](#) [17-200261](#) [17-210051](#) [1734082-1](#) [FK-37-32SL](#) [30-1574](#) [30-470](#) [30-489](#) [30-541](#) [30-572-3](#) [30-9503](#) [M9177/2-1](#) [MAB 5 S](#) [MIKROE-1451](#) [33UBBR-04SW11R](#) [USBFTV2PEM2G](#) [USBFTVC6ZN](#) [USBFTVSCCG](#)  
[KUSBX-AS2N-W30](#) [KUSBX-SLAS1N-W](#) [KUSBX-SLAS1N-W30](#) [1-1734084-2](#) [E8110-001-01](#) [MUSBC11135](#) [NK-27-32SL](#)