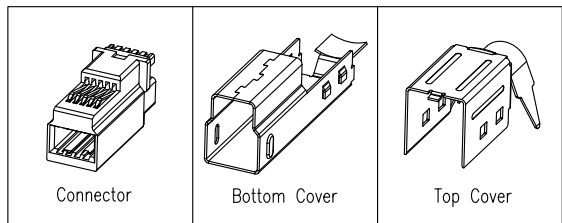


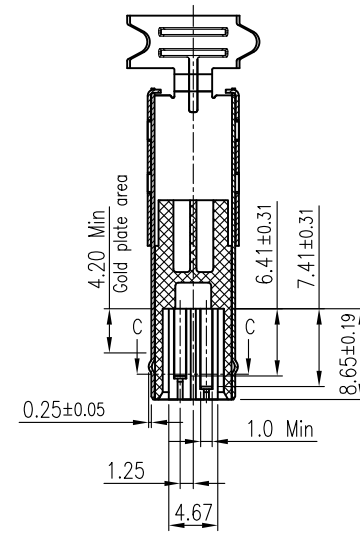
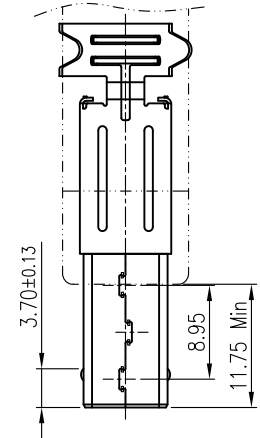
This document is the property of Amphenol Corporation and is delivered on the express condition that is not to be disclosed, reproduced or used, in whole or in part, for manufacture or sale by anyone other than Amphenol Corporation without its prior consent, and that no right is granted to disclose or to use any information in this document.

The marking on this product doesn't contain environmental hazardous materials per Material Specification 55-00259 for Sony GP compliant or per directive 2002/95/EC for RoHS compliant.

| REVISIONS |         |                         |            |            |
|-----------|---------|-------------------------|------------|------------|
| SYM       | ECN No. | DESCRIPTION             | DATE       | APPROVED   |
| AX1       |         | NON-RELEASE REVISION    | 06/18/2010 | Roger Tsai |
| AX2       |         | ADDED PACKAGING DRAWING | 06/25/2010 | Arron Lin  |

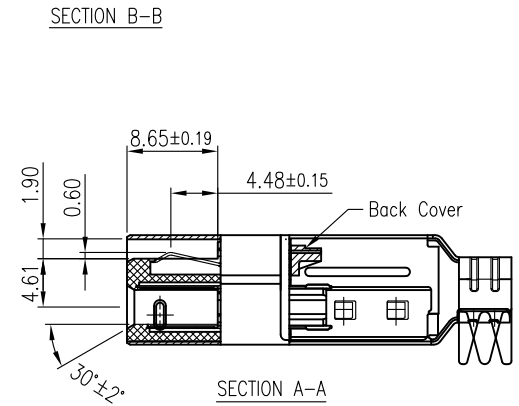
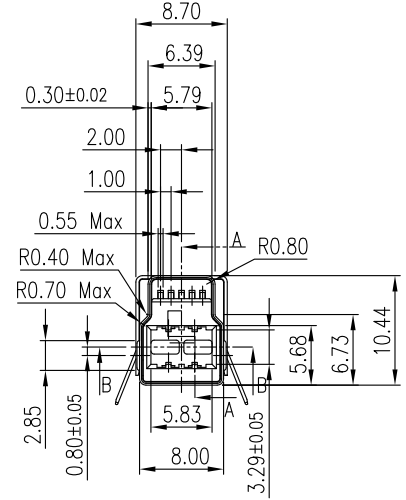
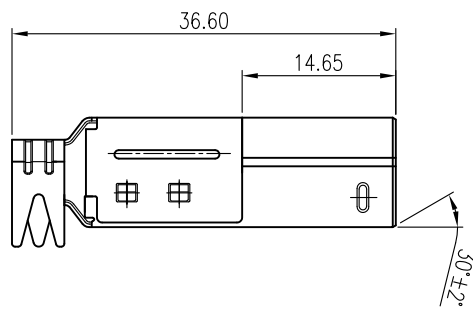


| Pin Number | Signal Name |
|------------|-------------|
| 1          | VBUS        |
| 2          | D-          |
| 3          | D+          |
| 4          | GND         |
| 5          | StdB_SSTX-  |
| 6          | StdB_SSTX+  |
| 7          | GND-DRAIN   |
| 8          | StdB_SSRX-  |
| 9          | StdB_SSRX+  |



**NOTES:**

- MATERIAL:**  
 HOUSING: HIGH TEMPERATURE THERMAL PLASTIC, PBT, UL94V-0, COLOR: OPTION.  
 TERMINAL A (5P): PHOSPHOR BRONZE.  
 TERMINAL B (4P): BRASS  
 SHELL: SPCC-CQ1.
- FINISH:**  
 TERMINAL A & TERMINAL B:  
 CONTACT AREA: SELECTED GOLD PLATING;  
 SOLDERING AREA: TIN PLATING 100 μ" THICKNESS MIN.;  
 UNDER PLATING: NICKEL PLATING 50 μ" THICKNESS MIN. OVERALL.  
 SHELL:  
 NICKEL PLATING 50 μ" THICKNESS MIN. OVERALL.
- THIS PRODUCT DOESN'T CONTAIN ENVIRONMENTAL HAZARDOUS PER DIRECTIVE 2002/95/EC FOR RoHS COMPLIANT.**



PART NO. GSB3271XXWEU

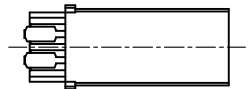
CONTACT FINISH | COLOR

1: GOLD FLASH | 1: BLUE

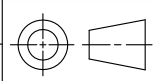
2: 5 μ" GOLD | 3: BLACK

3: 30 μ" GOLD

SECTION C-C  
SCALE 3:1



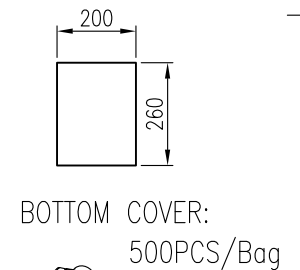
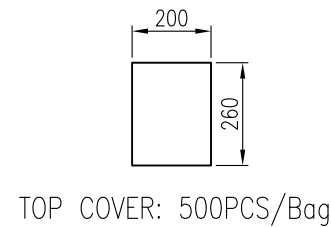
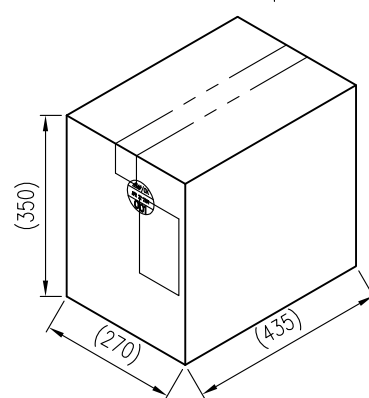
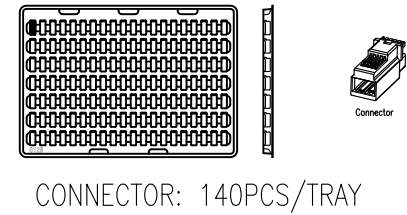
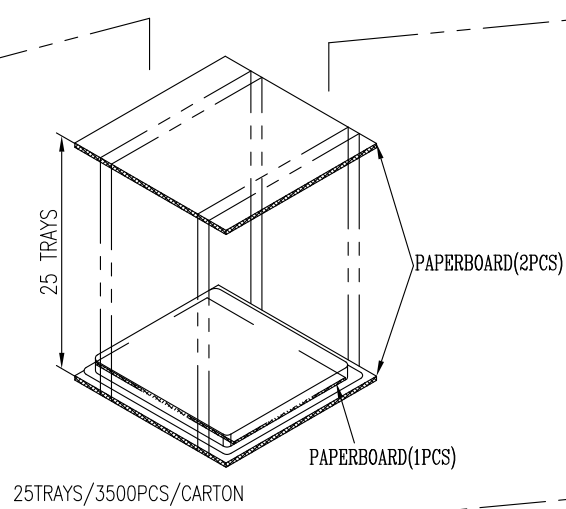
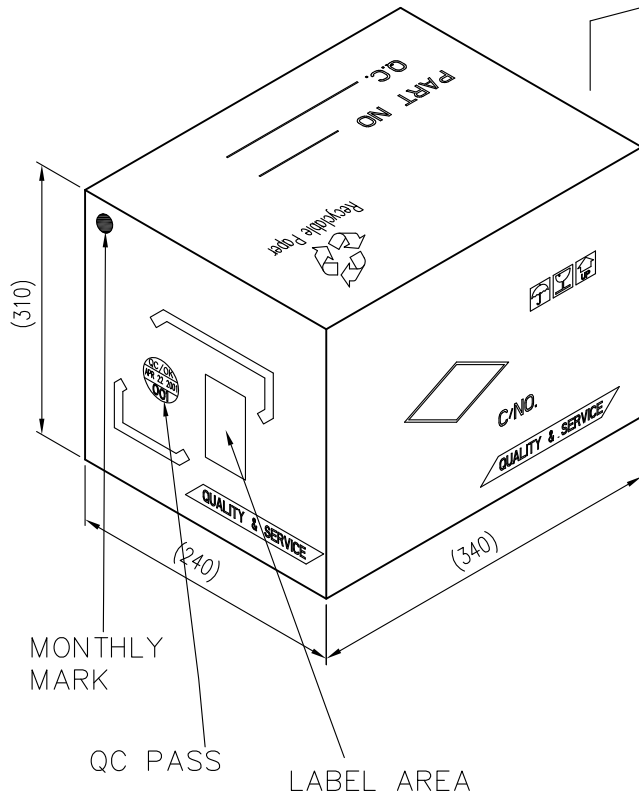
| TOLERANCE                  | APPROVALS          | DATE               | TITLE                            | UNIT     | SIZE         | PART No.                      |
|----------------------------|--------------------|--------------------|----------------------------------|----------|--------------|-------------------------------|
| X. ±0.30                   | DRAWN Aqua Chou    | 06/25/2010         | USB 3.0 B TYPE PLUG, CABLE MOUNT | mm       | A3           | GSB3271XXWEU                  |
| X.X ±0.20                  | CHECKED Roger Tsai | 06/25/2010         |                                  |          |              |                               |
| X.XX ±0.10                 | APPROVED Arron Lin | 06/25/2010         |                                  |          |              |                               |
| ANGULAR ±1°                | DWG TYPE CUST DWG  | PROJECT CODE OTHER |                                  |          |              |                               |
| UNLESS OTHERWISE SPECIFIED |                    |                    |                                  | SCALE NA | SHEET 1 OF 2 | DWG No. GSB3271XXWEU REV. AX2 |



This document is the property of Amphenol Corporation and is delivered on the express condition that is not to be disclosed, reproduced or used, in whole or in part, for manufacture or sale by anyone other than Amphenol Corporation without its prior consent, and that no right is granted to disclose or to use any information in this document.

The marking on this product doesn't contain environmental hazardous materials per Material Specification 55-00259 for Sony GP compliant or per directive 2002/95/EC for RoHS compliant.

| REVISIONS |         |                         |            |            |
|-----------|---------|-------------------------|------------|------------|
| SYM       | ECN No. | DESCRIPTION             | DATE       | APPROVED   |
| AX1       |         | NON-RELEASE REVISION    | 06/18/2010 | Roger Tsai |
| AX2       |         | ADDED PACKAGING DRAWING | 06/25/2010 | Arron Lin  |



TOP COVER 3500 PCS/CARTON  
 BOTTOM COVER 3500 PCS/CARTON

|          |           |                |          |          |              |
|----------|-----------|----------------|----------|----------|--------------|
| 140      | 25        | 3500           | XXX      | XXX      | GSB3271XXWEU |
| PCS/TRAY | TRAYS/BOX | QUANTITY (PCS) | G/W (Kg) | N/W (Kg) | PART NUMBER  |

| TOLERANCE                  |       | APPROVALS |            | DATE         |            | TITLE                               |    | Amphenol®   |        |          |              |
|----------------------------|-------|-----------|------------|--------------|------------|-------------------------------------|----|---|--------|----------|--------------|
| X.                         |       | DRAWN     | Aqua Chou  |              | 06/25/2010 | USB 3.0 B TYPE PLUG,<br>CABLE MOUNT |    | Amphenol Corporation<br>Amphenol Taiwan Corporation |        |          |              |
| X.X                        | ±0.30 | CHECKED   | Roger Tsai |              | 06/25/2010 |                                     |    |   |        |          |              |
| X.XX                       | ±0.20 | APPROVED  | Arron Lin  |              | 06/25/2010 |                                     |    |   |        |          |              |
| X.XXX                      | ±0.10 | DWG TYPE  | CUST DWG   | PROJECT CODE | OTHER      | UNIT                                | mm | SIZE  | A3     | PART No. | GSB3271XXWEU |
| ANGULAR                    | ±1°   |           |            |              |            | SCALE                               | NA | SHEET   | 2 OF 2 | DWG No.  | GSB3271XXWEU |
| UNLESS OTHERWISE SPECIFIED |       |           |            |              |            |                                     |    |   |        | REV.     | AX2          |

## X-ON Electronics

Largest Supplier of Electrical and Electronic Components

*Click to view similar products for [USB Connectors](#) category:*

*Click to view products by [Amphenol](#) manufacturer:*

Other Similar products are found below :

[65-647-8-BK-BU](#) [950](#) [952](#) [E8144-B01021-L](#) [A-USB A-LP-SMT-C](#) [A-USB B-TOP-C](#) [MUSBA511N5](#) [MUSBD11135](#) [217450-1](#) [CA 6 W LD](#)  
[KMBVX-TH-5S-B30](#) [896-30-004-00-000000](#) [KUSBVX-BS1N-W30](#) [KUSBX-AP-KIT-SCBLK](#) [KUSBX-AS2N-W](#) [KUSBX-SMT2AP1S-W](#)  
[KUSBX-SMT2AP1S-W30](#) [935](#) [957](#) [30-498-6](#) [17-210051](#) [1734082-1](#) [30-1574](#) [30-470](#) [30-489](#) [30-541](#) [30-572-3](#) [MAB 8 SN V](#) [A-USB A-](#)  
[2P-C](#) [MIKROE-1451](#) [USBFTV2PEM2G](#) [USBFTVC6ZN](#) [KUSBX-AS2N-W30](#) [KUSBX-SLAS1N-W](#) [KUSBX-SMT-AS1N-W30](#) [4689-1](#) [1-](#)  
[1734084-2](#) [E8110-001-01](#) [MUSBA81130](#) [33UBARS1-04SW11](#) [33UBAR-04SW11](#) [USBF21ZNSCC](#) [USBBFTV6ZC](#) [10135326-001LF](#)  
[M9177/3-1](#) [USB-A-S-F-B-VT](#) [925](#) [4198](#) [690-024-633-031](#) [KUSBEX-BSFS1N-W](#)