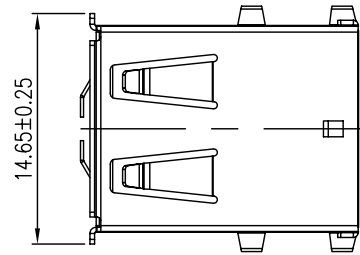


This document is the property of Amphenol Corporation and is delivered on the express condition that it is not to be disclosed, reproduced or used, in whole or in part, for manufacture or sale by anyone other than Amphenol Corporation without its prior consent, and that no right is granted to disclose or to use any information in this document.

The marking on this product doesn't contain environmental hazardous materials per Material Specification 55-00259 for Sony GP compliant or per directive 2002/95/EC for RoHS compliant.

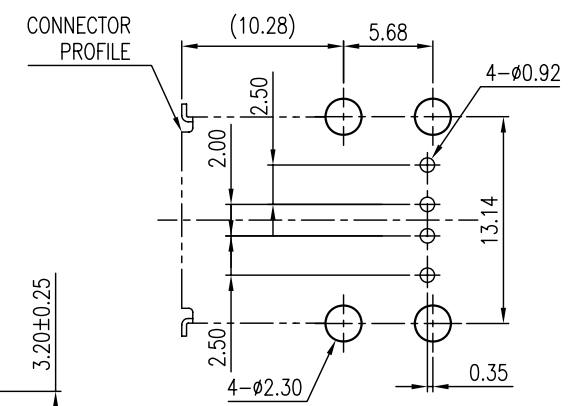
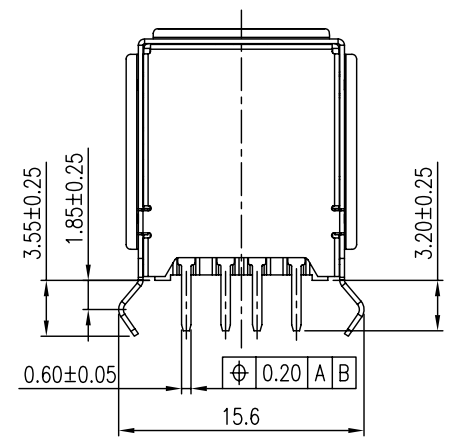
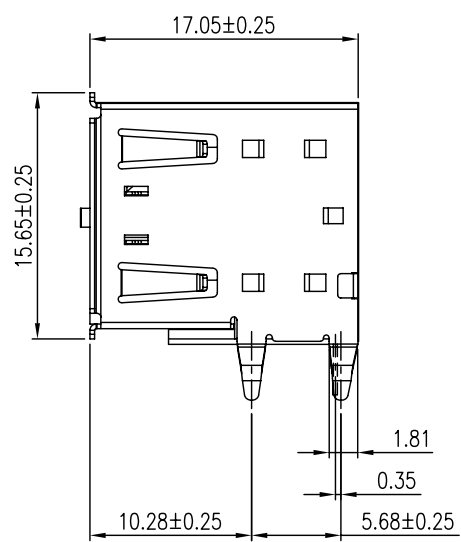
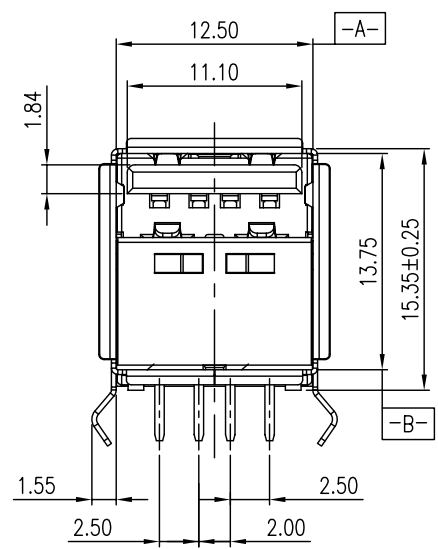
REVISIONS				
SYM	ECN No.	DESCRIPTION	DATE	APPROVED
A		RELEASE FOR RoHS	07/03/2006	Armstrong Kao
B	NE-06324	CHANGED DIM FROM 3.2±0.25 TO 3.6+0.3/-0.1	09/21/2006	Edward Wu
C	NE-06344	CHANGED MATERIAL OF INSULATOR FROM LCP TO NYLON 9T	10/02/2006	Edward Wu
D	NE-09080	CHANGE DRAWING FORM	04/29/2009	Hank Hsu



PART NO. GSB128XXSEU

CONTACT FINISH  
1: GOLD FLASH  
2: 30  $\mu$ g GOLD

INSULATOR COLOR  
0: WHITE  
1: BLACK



**RECOMMENDED PC BOARD LAYOUT**  
(ALL TOLERANCES ARE ±0.05)

**NOTES:**

- CONTACT: BRASS, 0.25 MM THICKNESS, SELECTIVE GOLD PLATED ON MATING AREA, 100 $\mu$  MIN. MATT TIN PLATED ON SOLDERING AREA, 50 $\mu$  MIN. NICKEL UNDER-PLATING OVERALL
- HOUSING: NYLON 9T, UL 94V-0, COLOR- BLACK OR WHITE
- FRONT SHELL: BRASS, 0.3MM THICKNESS, 50 $\mu$  MIN. NICKEL PLATED
- REAR SHELL: SPCC, 0.3MM THICKNESS, 50 $\mu$  MIN. NICKEL PLATED
- GROUNDING STRIP: STAINLESS STEEL, 0.2MM THICKNESS
- THIS PRODUCT DOESN'T CONTAIN ENVIRONMENTAL HAZARDOUS MATERIALS PER DIRECTIVE 2002/95/EC FOR RoHS.
- PACKING MUST BE PER Amphenol PACKING SPECIFICATION PKS-0001

TOLERANCE	APPROVALS	DATE	TITLE		UNIT		SIZE		PART No.	
X. ±0.30	DRAWN Roger Tsai	04/29/2009	UNIVERSAL SERIAL RECEPTACLE, SERIES A R/A, PCB MOUNT, STACKED, TYPE A/ NONE		mm		A3		GSB128XXSEU	
X.X ±0.20					NA		1 OF 1		GSB128XXSEU	
X.XX ±0.10	CHECKED Daniel Hsieh	04/29/2009			SHEET		REV.			
X.XXX ±0.10	APPROVED Hank Hsu	04/29/2009			1 OF 1		D			
ANGULAR ±1°	DWG TYPE CUST DWG	PROJECT CODE OTHER								
UNLESS OTHERWISE SPECIFIED										

## X-ON Electronics

Largest Supplier of Electrical and Electronic Components

*Click to view similar products for [USB Connectors](#) category:*

*Click to view products by [Amphenol](#) manufacturer:*

Other Similar products are found below :

[10033527-N3112MLF](#) [17-210561](#) [GMCB05B11124H1EU](#) [17-200931](#) [65-647-8-BK-BU](#) [690-010-295-484](#) [73725-1191BLF](#) [950](#) [E8144-B01021-L](#) [A-USB A-LP-SMT-C](#) [A-USB B-TOP-C](#) [MUSBA511N5](#) [MUSBB15131](#) [MUSBC111M5](#) [MUSBD11135](#) [217450-1](#) [CA 6 W LD](#)  
[896-30-004-00-000000](#) [KUSBVX-BS1N-W30](#) [KUSBX-AP-KIT-SCBLK](#) [KUSBX-AS2N-W](#) [KUSBX-SMT2AP1S-W](#) [KUSBX-SMTAS1NBTR](#) [KUSBX-SMTBS1NBTR](#) [30-498-6](#) [SK-60A-2](#) [17-200261](#) [17-210051](#) [1734082-1](#) [FK-37-32SL](#) [30-1574](#) [30-470](#) [30-489](#) [30-541](#) [30-572-3](#) [30-9503](#) [M9177/2-1](#) [MAB 5 S](#) [MIKROE-1451](#) [33UBBR-04SW11R](#) [USBFTV2PEM2G](#) [USBFTVC6ZN](#) [USBFTVSCCG](#)  
[KUSBX-AS2N-W30](#) [KUSBX-SLAS1N-W](#) [KUSBX-SLAS1N-W30](#) [1-1734084-2](#) [E8110-001-01](#) [MUSBC11135](#) [NK-27-32SL](#)