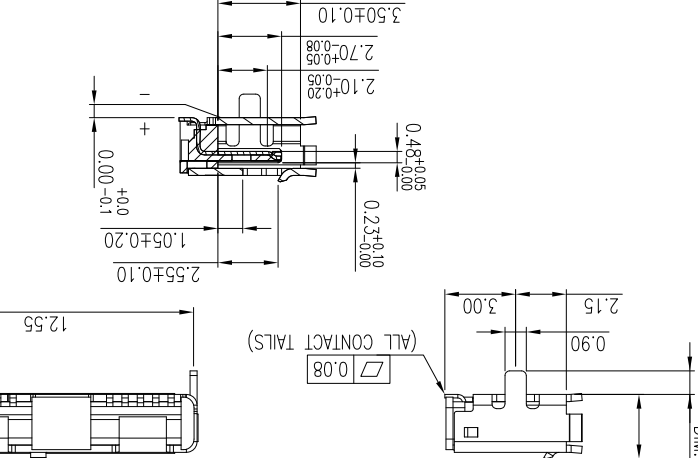
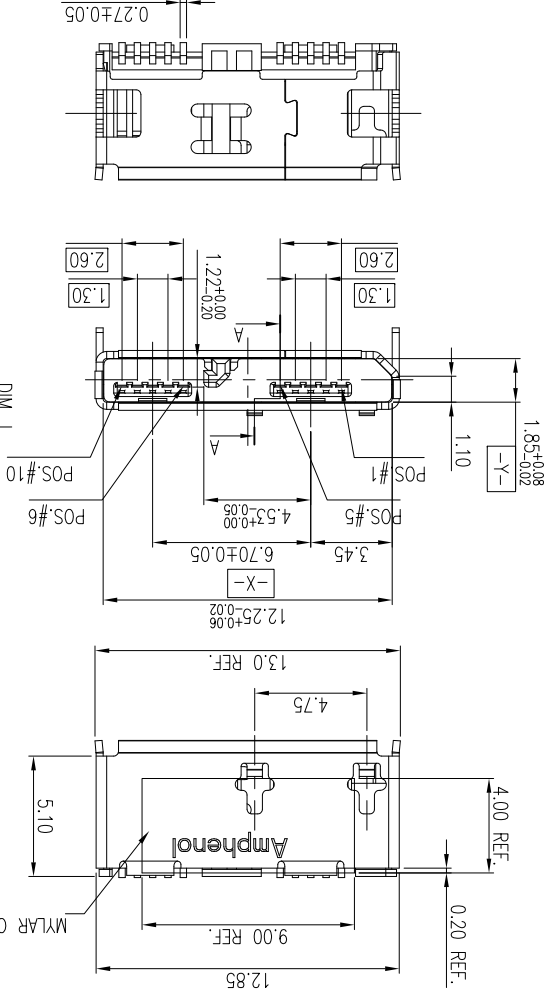
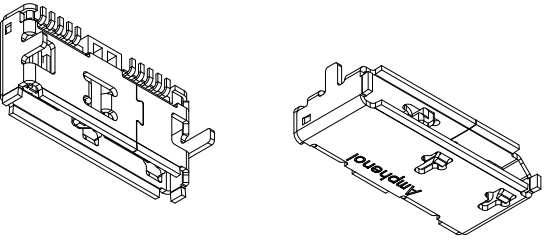


This document is the property of Amphenol Corporation and is delivered on the express condition that it is not to be disclosed, reproduced or used, in whole or in part, for manufacture or sale by anyone other than Amphenol Corporation without its prior consent, and that no right is granted to disclose or to use any information in this document. The marking on this product doesn't contain environmental hazardous Specification SS-00259 for Sony GP compliant or per directive 2011/65/EC for RoHS compliant or per IEC 61249-2-21 for Halogen free compliant.

- NOTES:
- HOUSING: HIGH TEMP. THERMOPLASTIC, UL 94V-0, COLOR- BLACK
 - CONTACT: COPPER ALLOY, 0.15mm THICKNESS, 30µ" MIN. GOLD PLATED
 - METAL SHELL: STAINLESS, 0.3mm THICKNESS, GOLD FLASH PLATED
 - MYLAR: 4.0 x 9.0 mm
 - THIS PRODUCT DOESN'T CONTAIN ENVIRONMENTAL HAZARDOUS MATERIALS PER DIRECTIVE 2011/65/EC FOR ROHS AND PER IEC 61249-2-21 FOR HALOGEN FREE COMPLIANT.



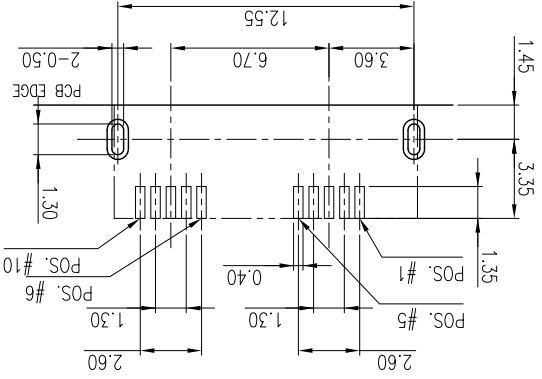
PART NUMBER: GSB3 43K 3 X HR
 CONTACT FINISH: 3: 30µ" GOLD
 VARIATION CODE
 BLANK: STANDARD T&R PACKING
 A: W/ MYLAR, T&R PACKING
 SHELL TAIL LENGTH
 BLANK: DIP L=1.0mm
 1: DIP L=1.4mm



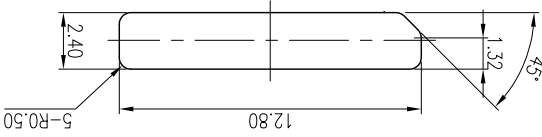
TOLERANCE	APPROVALS	DATE	TITLE
UNLESS OTHERWISE SPECIFIED			
ANGULAR ±1°	APPROVED	5/13/2016	CUST DWG
X.XXX ±0.20 ±0.30	CHECKED	5/13/2016	PROJECT CODE
	DRAWN	5/13/2016	1503
			PRODUCT CODE
			SCALE
			UNIT
			SIZE
			SHEET
			1 OF 1
			DWG No.
			GSB343K33HR
			REV.
			D

USB 3.0 CONNECTOR	
MICRO_B, RECEPTACLE	
R/A SMT, SHELL DIP TYPE	
Amphenol Corporation	
Amphenol Taiwan Corporation	
GSB3 43K 3X3 XHR	
PART NUMBER	
1.40	GSB 343 K33 1(X)HR
1.00	GSB 343 K33 (X)HR
DIM. L	

RECOMMENDED PCB LAYOUT- TOP VIEW
 (GENERAL TOLERANCE: ±0.05)



RECOMMENDED PANEL CUT OUT
 (GENERAL TOLERANCE: ±0.20)



REVISIONS		DATE	BY	DESCRIPTION	ECN No.
D	NE-16116	05/13/2016	Sondra Song	ADDED PANEL CUT OUT	
C	NE-14075	04/30/2014	Sondra Song	ADDED SHELL TAIL OPTIONS	
B	NE-10151	09/17/2010	Sondra Song	MODIFIED PCB LAYOUT	
A		06/09/2010	Sondra Song	RELEASE TO PRODUCTION	

X-ON Electronics

Largest Supplier of Electrical and Electronic Components

Click to view similar products for [USB Connectors](#) category:

Click to view products by [Amphenol](#) manufacturer:

Other Similar products are found below :

[10033527-N3112MLF](#) [17-210561](#) [GMCB05B11124H1EU](#) [17-200931](#) [65-647-8-BK-BU](#) [690-010-295-484](#) [73725-1191BLF](#) [950](#) [E8144-B01021-L](#) [A-USB A-LP-SMT-C](#) [A-USB B-TOP-C](#) [MUSBA511N5](#) [MUSBB15131](#) [MUSBC111M5](#) [MUSBD11135](#) [217450-1](#) [CA 6 W LD](#)
[896-30-004-00-000000](#) [KUSBVX-BS1N-W30](#) [KUSBX-AP-KIT-SCBLK](#) [KUSBX-AS2N-W](#) [KUSBX-SMT2AP1S-W](#) [KUSBX-SMTAS1NBTR](#) [KUSBX-SMTBS1NBTR](#) [30-498-6](#) [SK-60A-2](#) [17-200261](#) [17-210051](#) [1734082-1](#) [FK-37-32SL](#) [30-1574](#) [30-470](#) [30-489](#) [30-541](#) [30-572-3](#) [30-9503](#) [M9177/2-1](#) [MAB 5 S](#) [MIKROE-1451](#) [33UBBR-04SW11R](#) [USBFTV2PEM2G](#) [USBFTVC6ZN](#) [USBFTVSCCG](#)
[KUSBX-AS2N-W30](#) [KUSBX-SLAS1N-W](#) [KUSBX-SLAS1N-W30](#) [1-1734084-2](#) [E8110-001-01](#) [MUSBC11135](#) [NK-27-32SL](#)