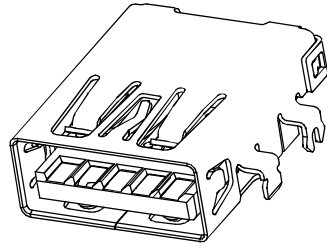
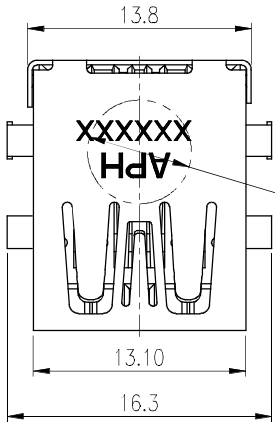


This document is the property of Amphenol Corporation and is delivered on the express condition that it is not to be disclosed, reproduced or used, in whole or in part, for manufacture or sale by anyone other than Amphenol Corporation without its prior consent, and that no right is granted to disclose or to use any information in this document.

The marking on this product doesn't contain environmental hazardous materials per Material Specification SS-00259 for Sony GP compliant or per directive 2011/65/EU for RoHS compliant.

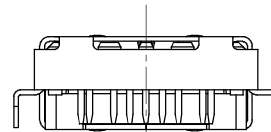
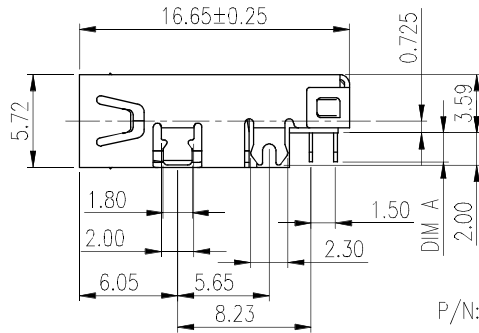
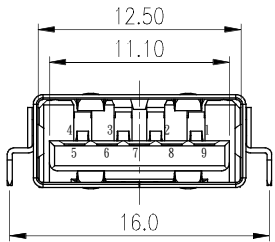
REVISIONS				
SYM	ECN No.	DESCRIPTION	DATE	APPROVED
A	NE-14132	NON-RELEASE TO PRODUCTION	07/08/2014	Arron Lin



Pin Number	Signal Name
1	VBUS
2	D-
3	D+
4	GND
5	SSRX-
6	SSRX+
7	GND_DRAIN
8	SSTX-
9	SSTX+
Shell	Shield

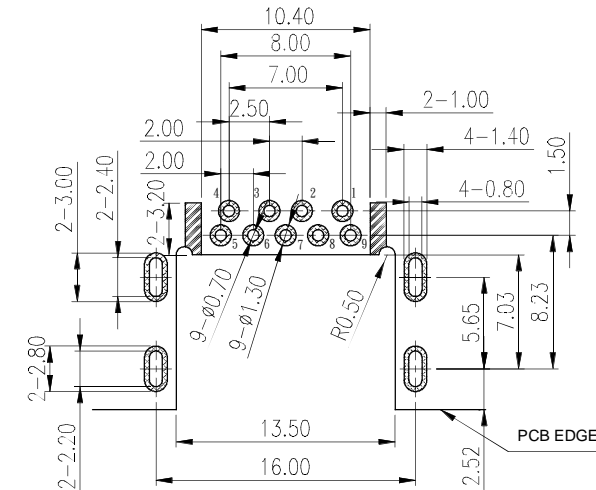
NOTES:

- MATERIAL:
HOUSING: THERMOPLASTIC, OPTIONS (HALOGEN FREE), UL94V HB COLOR: OPTIONS.
USB2.0 TERMINAL (1~4POS.) : PHOSPHOR BRONZE.
USB3.0 TERMINAL (5~9POS) : BRASS.
SHELL: SUS.
- FINISH:
TERMINAL 2.0 & 3.0 :
CONTACT AREA: SELECTIVE GOLD PLATING.;
SOLDERING AREA: TIN PLATING 100 μ" THICKNESS MIN.;
UNDER PLATING: NICKEL PLATING 50 μ" THICKNESS MIN. OVERALL
SHELL:
NICKEL PLATING 30 μ" THICKNESS MIN. OVERALL.
- PACKING IS PER AMTA PACKING SPECIFICATION PKS-0001.
- THIS PRODUCT DOESN'T CONTAIN ENVIRONMENTAL HAZARDOUS PER DIRECTIVE 2011/65/EU FOR RoHS COMPLIANT.
- PRODUCT SPECIFICATION REFER TO : PS-7530.



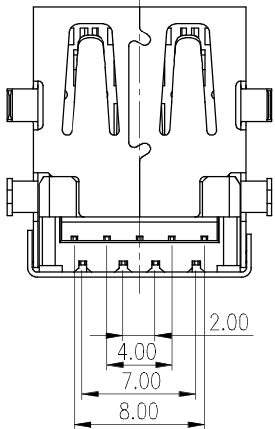
P/N: GSB411B X X X HR
CONTACT FINISH
1: FLASH GOLD
3: 30u" GOLD
DIM A
BLANK: 1.80mm
1: 3.00mm

HOUSING /COLOR
3: LCP (BLACK)
4: PA9T (BLUE 300C)

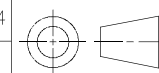


RECOMMENDED PCB LAYOUT
TOP VIEW
TOLERANCE: ±0.05mm
PCB THICKNESS: 1.20±0.05mm

KEEP OUT AREA
RECOMMENDED SOLDER PAD AREA



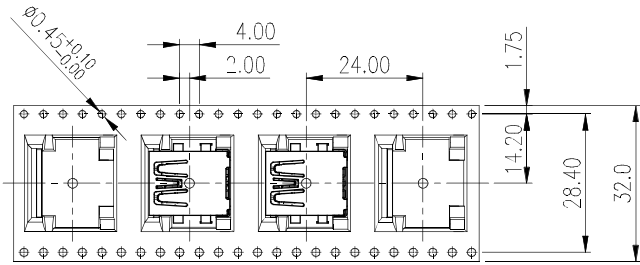
TOLERANCE	APPROVALS	DATE	TITLE		UNIT		SIZE	PART No.	
X. X.X X.XX X.XXX ±0.30 ±0.20 ±0.10	DRAWN Debby Hung	07/08/2014	USB 3.1 TYPE A R/A REVERSE CH=0.725mm SINK DIP TYPE		mm		A3	GSB411BXXXHR	
	CHECKED Roger Tsai	07/08/2014			SCALE NA		SHEET 1 OF 2	DVG No. GSB411BXXXHR	
ANGULAR ±1°	APPROVED Arron Lin	07/08/2014			PROJECT CODE OTHER			REV. A	
UNLESS OTHERWISE SPECIFIED	DWG TYPE CUST DWG								



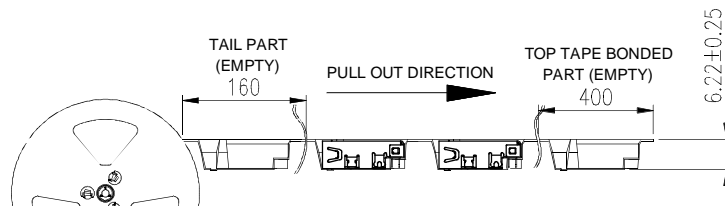
This document is the property of Amphenol Corporation and is delivered on the express condition that it not be disclosed, reproduced or used, in whole or in part, for manufacture or sale by anyone other than Amphenol Corporation without its prior consent, and that no right is granted to disclose or to use any information in this document.

The marking on this product doesn't contain environmental hazardous materials per Material Specification SS-00259 for Sony GP compliant or per directive 2011/65/EU for RoHS compliant.

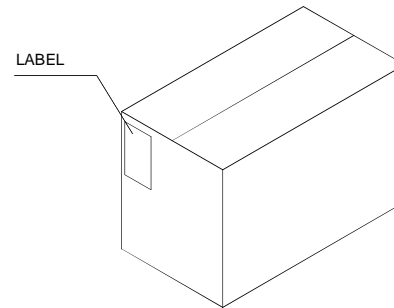
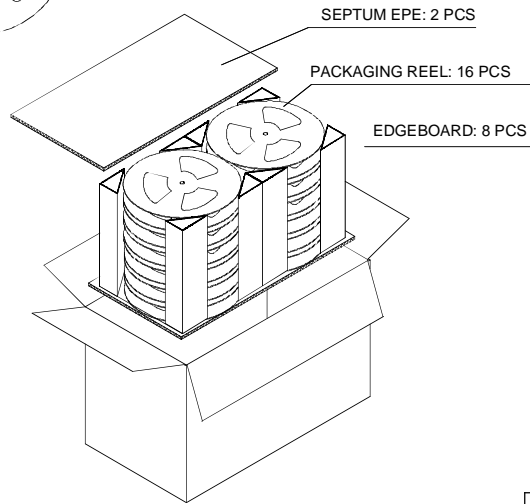
REVISIONS				
SYM	ECN No.	DESCRIPTION	DATE	APPROVED
A	NE-14132	NON-RELEASE TO PRODUCTION	07/08/2014	Arron Lin



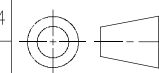
REEL SIZE	PARTS PER CARTON<S.P.Q>	PARTS PER REEL	TOTEL REEL PER CARTON
ø330	7200	450	16



- NOTES:
1. STAPLES SHOULD ONLY BE USED TO SET UP CARTON. ALL CARTON CLOSURES MUST BE DONE WITH TAPE.
 2. FILL PACKAGING TRAYS WITH THE QUANTITIES AS INDICATED IN THE CHART.
 3. SHIPPING CARTON DIMENSION: 690 X 360 X 325mm.
 4. NET WEIGHT: 13.7 KG.
GROSS WEIGHT: 24.2 KG.



TOLERANCE	APPROVALS	DATE	TITLE		Amphenol® Amphenol Corporation Amphenol Taiwan Corporation			
X. X.X ±0.30 X.XX ±0.20 X.XXX ±0.10	DRAWN Debby Hung	07/08/2014	USB 3.1 TYPE A R/A REVERSE CH=0.725mm SINK DIP TYPE		PART No. GSB411BXXXHR		REV. A	
ANGULAR ±1°	CHECKED Roger Tsai	07/08/2014	UNLESS OTHERWISE SPECIFIED		UNIT mm	SIZE A3	DWG No. GSB411BXXXHR	
	APPROVED Arron Lin	07/08/2014	CUST DWG		SCALE NA	SHEET 2 OF 2		
	DWG TYPE	PROJECT CODE	OTHER					



X-ON Electronics

Largest Supplier of Electrical and Electronic Components

Click to view similar products for [USB Connectors](#) category:

Click to view products by [Amphenol](#) manufacturer:

Other Similar products are found below :

[65-647-8-BK-BU](#) [950](#) [E8144-B01021-L](#) [A-USB A-LP-SMT-C](#) [A-USB B-TOP-C](#) [MUSBA511N5](#) [MUSBD11135](#) [217450-1](#) [CA 6 W LD](#)
[KMBVX-TH-5S-B30](#) [896-30-004-00-000000](#) [KUSBVX-BS1N-W30](#) [KUSBX-AP-KIT-SCBLK](#) [KUSBX-AS2N-W](#) [KUSBX-SMT2AP1S-W](#)
[KUSBX-SMT2AP1S-W30](#) [935](#) [957](#) [30-498-6](#) [17-210051](#) [1734082-1](#) [30-1574](#) [30-470](#) [30-489](#) [30-541](#) [30-572-3](#) [MAB 8 SN V](#) [A-USB A-](#)
[2P-C](#) [MIKROE-1451](#) [USBFTV2PEM2G](#) [USBFTVC6ZN](#) [KUSBX-AS2N-W30](#) [KUSBX-SLAS1N-W](#) [KUSBX-SMT-AS1N-W30](#) [4689-1](#) [1-](#)
[1734084-2](#) [E8110-001-01](#) [MUSBA81130](#) [33UBARS1-04SW11](#) [33UBAR-04SW11](#) [USBF21ZNSCC](#) [USBBFTV6ZC](#) [10135326-001LF](#)
[M9177/3-1](#) [925](#) [4198](#) [690-024-633-031](#) [KUSBEX-BSFS1N-W](#) [USBFTVC6MRG](#) [UA-20BMFA-SL8001](#)