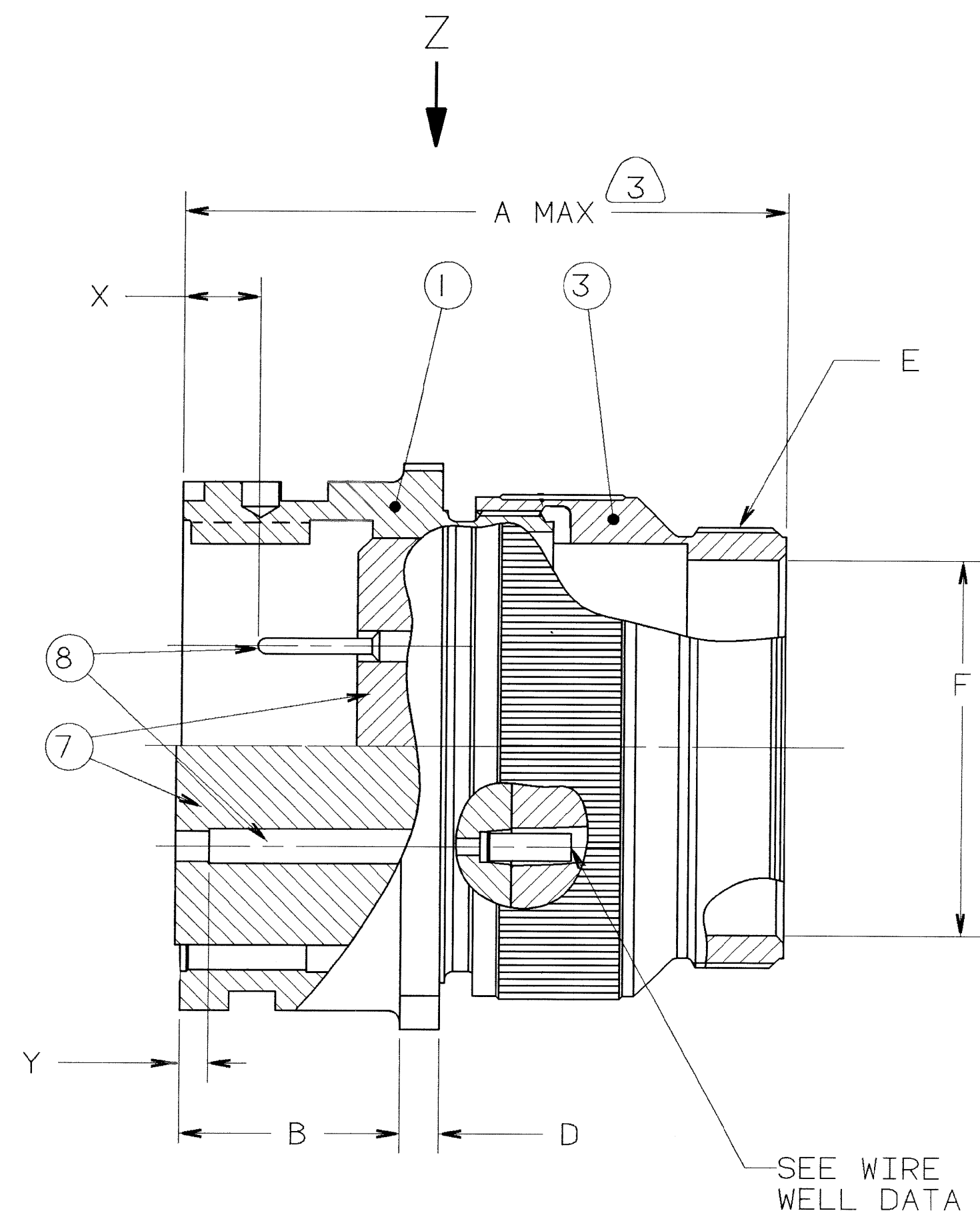
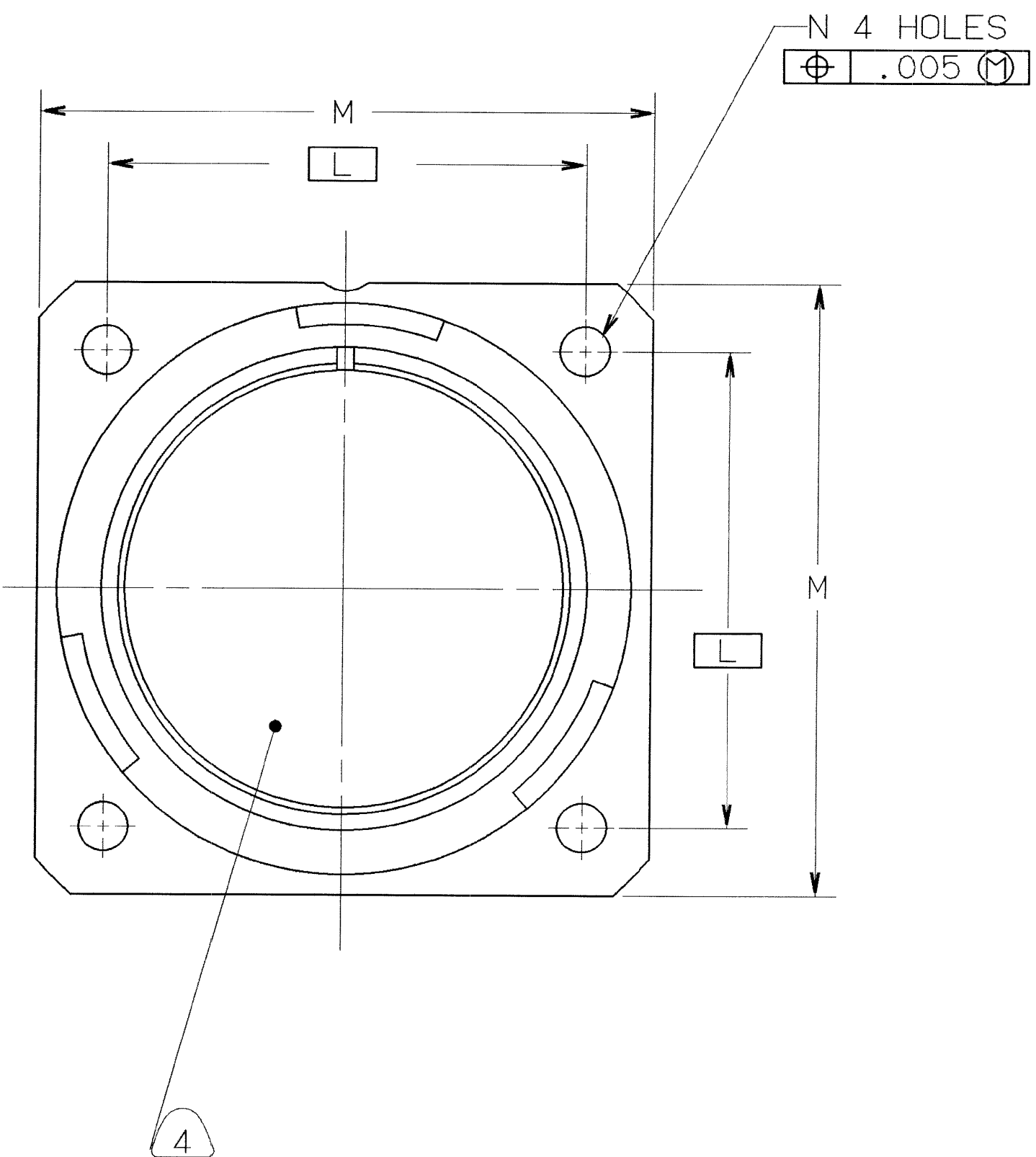


CONTACT SIZE	SHELL SIZE	X	Y ±.040
16 SHORT	10SL, 14S, 16S	.087±.039	.079
16 LONG	14, 16, THRU 40	.260 <sup>+</sup> <sub>.041</sub>	.102
12	14, 16, THRU 40	.118 <sup>+</sup> <sub>.039</sub>	.102
4,8,0	14, 16, THRU 40	.091±.039	.102

REVISIONS				
ZONE	LTR	DESCRIPTION	DATE	APPROVED
A		INITIAL RELEASE NUM: 70090-312		
B		(CL II) SEE ECN 27939	7-21-93	<i>Riefel</i>
C		(CL II) REMOVED ITEM #2, NOTE 9, & 9-1936 FROM NOTE #5 ECN: A0677	10/19/06	<i>Brooker</i>



SEE SHEET 2  
NOTES:

THE USE OF THIS DOCUMENT IS UNLIMITED. HOWEVER, DOCUMENTS REFERENCED HEREON MAY CONTAIN LIMITED RIGHTS DATA.

COMPANY ID: 2  
 CODED/MS/CUST: Y  
 INTERNAL: N  
 LOTNO: N  
 DATE CODE: 9-3895  
 SEE PRINT: N

N/A  
 N/A  
 NEXT ASSEMBLY

UNLESS OTHERWISE SPECIFIED  
 LINEAR DIMENSIONS ARE IN INCHES.  
 TOLERANCES: .XXX±.010,  
 .XX ±.03, .X ±.1, ANGLES ±2°  
 OTHER STANDARDS PER 9-3800  
 AND DOD-D-1000. NOTE REF= (XX)

FIND NO.	QTY RECD.	FSCM NO.	PART NUMBER	DESCRIPTION	NOTE REF.
5			SEE NOTE 10	CONTACT	3
4	1		10-748XX-XXX	INSERT	
3	1		10-564867-XX3	ADAPTER	3
2			REMOVED		9
1	1		SEE COLUMN	SHELL	

SPECIFICATIONS		SIGNATURES		DATES		PARTS LIST		DESCRIPTION		NOTE REF.
MATERIAL SPEC.	N/A	PREPARED	MCELLIGOTT	08/29/90			AMPHENOL CORPORATION BENDIX CONNECTOR OPERATIONS SIDNEY, N.Y.			
PROCESS SPEC.	SEE NOTE 5	CHECKED	<i>[Signature]</i>	8/2/90			CONNECTOR, ELECTRICAL RECEPTACLE, FRONT PANEL MOUNT, REVERSE BAYONET COUPLING, TYPE GTC00A()-(). SOLDERLESS		U	
1ST PART NO.	71-580124-22S	APPROVED	<i>[Signature]</i>	9-9-90	SIZE	D	FSCM NO.	77820	71-580110/129	REV. C
SCALE	NONE	WT.		REF	71-580470/489	SHEET	1	OF	2	

COMPUTER GENERATED DRAWING

00000001

01653

TAB.

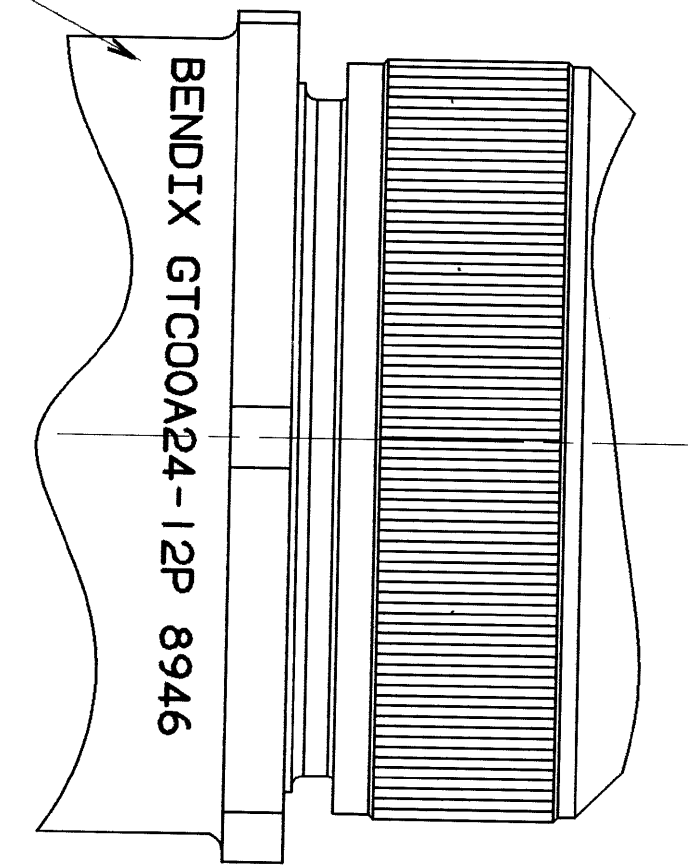
71-580110/129B

ASSEMBLY NUMBER	SHELL SIZE	GT NUMBER	SHELL	5		D ±.008	4		3		2		1
				A MAX	B +.016 -.000		E THREAD CLASS 2A	F DIA MIN	M ±.012	N DIA +.004 -.000			
71-580110-()	8S	NOT AVAILABLE											
71-580111-()	10S	NOT AVAILABLE											
71-580112-()	10SL	GTC00A10SL-()	10-580920-113	1.969	.559	.110	.6250-24UNEF	.409	.717	1.000	.126		
71-580113-()	12S	NOT AVAILABLE											
71-580114-()	12	NOT AVAILABLE											
71-580115-()	14S	GTC00A14S-()	10-580920-143	1.969	.559	.126	.7500-20UNEF	.520	.906	1.181	.126		
71-580116-()	14	NOT AVAILABLE											
71-580117-()	16S	GTC00A16S-()	10-580920-163	1.969	.559	.126	.8750-20UNEF	.638	.969	1.280	.126		
71-580118-()	16	GTC00A16-()	10-580920-173	2.362	.748	.126	.8750-20UNEF	.638	.969	1.280	.126		
71-580119-()	18	GTC00A18-()	10-580920-183	2.362	.748	.157	1.0000-20UNEF	.756	1.063	1.378	.126		
71-580120-()	20	GTC00A20-()	10-580920-203	2.362	.748		1.1875-18UNEF	.866	1.157	1.496	.126		
71-580121-()	22	GTC00A22-()	10-580920-223	2.362	.748		1.1875-18UNEF	.965	1.252	1.614	.126		
71-580122-()	24	GTC00A24-()	10-580920-243	2.560	.811		1.4375-18UNEF	1.094	1.374	1.752	.146		
71-580123-()	28	GTC00A28-()	10-580920-283	2.560	.811		1.4375-18UNEF	1.228	1.563	2.000	.146		
71-580124-()	32	GTC00A32-()	10-580920-323	2.560	.874		1.7500-18UNS	1.488	1.752	2.244	.169		
71-580125-()	36	GTC00A36-()	10-580920-363	3.150	.874		2.0000-18UNS	1.780	1.937	2.500	.169		
71-580126-()	40	GTC00A40-()	10-580920-403	3.150	.874		2.2500-16UN	2.016	2.185	2.752	.169		
71-580127/129		NOT AVAILABLE											

TO COMPLETE, ADD APPLICABLE INSERT ARRANGEMENT SUFFIX PER 9-2437

WIRE WELL DATA					
CONTACT SIZE	0	4	8	12	16
WELL DIA	.453±.005	.281 ±.005 -.004	.179 ±.004 -.002	.098 ±.004 -.001	.063 ±.004 -.001
WELL DEPTH	+.031 -.000	.750	.500	.500	.250

BLACK INK STAMP PER 9-3856-5  
"BENDIX", GT NUMBER (SEE COLUMN)  
& DATE CODE (9-3895).  
CHARACTERS TO BE .094-.125 HIGH.  
AND LOCATED APPROX AS SHOWN  
EXAMPLE:  
BENDIX GTC00A24-12P 8946



VIEW AT Z

- FOR MATING CONNECTOR ASSEMBLIES, SEE 71-580450/469 & OTHERS.
- SEE WORK ORDER FOR PERMISSIBLE ADDITIONAL OR ALTERNATE STAMPING.
- PROCESS SPEC:  
ASSY 9-9238  
TEST 9-3106-18  
9-3856-5, 9-3895, 9-2437
- INSERTS ARE NOT REMOVABLE.
- DRAWING ILLUSTRATES FINAL ASSEMBLY. FOR STORAGE & SHIPPING, ADAPTER MUST BE LOOSELY COUPLED. CONTACTS ARE SHIPPED UNASSEMBLED.
- FOR CONTACT SIZE, SPACING & SERVICE RATING, SEE MIL-STD-1651 OR L-11908-()/L-11948-().
- UNITS MEET THE APPLICABLE REQUIREMENTS OF MIL-C-5015.
- PACKAGE PER PRODUCTION PROCESS SHEET.
- SEE SEPARATE PARTS LIST FOR COMPONENT PART NUMBERS AND QUANTITIES.
- REMOVED
- FOR FINAL INSTALLATION, CONTACTS MUST BE ASSEMBLED INTO ALL INSERT HOLES.

NOTES:

THE USE OF THIS DOCUMENT IS UNLIMITED. HOWEVER, DOCUMENTS REFERENCED HEREON MAY CONTAIN LIMITED RIGHTS DATA.

SIZE	D	FSDM NO.	77820	REV	C
SCALE		WT.		REF	
			71-580110/129	SHEET	2

COMPUTER GENERATED DRAWING

## X-ON Electronics

Largest Supplier of Electrical and Electronic Components

*Click to view similar products for [Circular MIL Spec Connector](#) category:*

*Click to view products by [Amphenol](#) manufacturer:*

Other Similar products are found below :

[89075GULPR](#) [0025-262-542](#) [0025-264-3014](#) [58-570121-04S](#) [0134-213-1208](#) [0134-213-2209](#) [0025-258-000](#) [60-042022-07P](#) [60-042022-19P](#)  
[60-042022-23P](#) [60-042217-10P](#) [0114-201-1278](#) [012-0467-000](#) [602GB06EG24-61SN](#) [0134-201-1207](#) [0134-213-1006](#) [6104-207-2302](#) [6104-](#)  
[208-1902](#) [61-168211-04P](#) [61-168617-10P](#) [6131-202-19149P](#) [6131-204-21149P](#) [6131-208-13149P](#) [6131-209-17149P](#) [6131-210-11149P](#) [6131-](#)  
[211-19149P](#) [6131-216-19149P](#) [6131-259-21149P](#) [6131-259-23149P](#) [6131-265-17149P](#) [6131-265-19149P](#) [CS3100A18-1P-472](#) [CS3100A-36-](#)  
[77P](#) [CS3101A-16-55P](#) [CS3102A-10SL-55P](#) [CS3102A-14S-58P](#) [CS3102A-32-17P](#) [CS3102A32-25S](#) [CS3102C18-4P-472](#)  
[CS3106A10SL3S004](#) [CS3106A-18-73S](#) [CS3108A-14S-52S](#) [CS3108A-28-51S](#) [6162-233-1277](#) [6162-324-1231](#) [M243082296Z](#)  
[M2884010AC1S1](#) [CT0-24-10SC](#) [CT0M20-7PCAU](#) [M28840/17AC1G3](#)