

REV. A	SHEET 1 OF 2	71-634260/279
REVISIONS		
LTR	DESCRIPTION	DATE
A	INITIAL RELEASE	

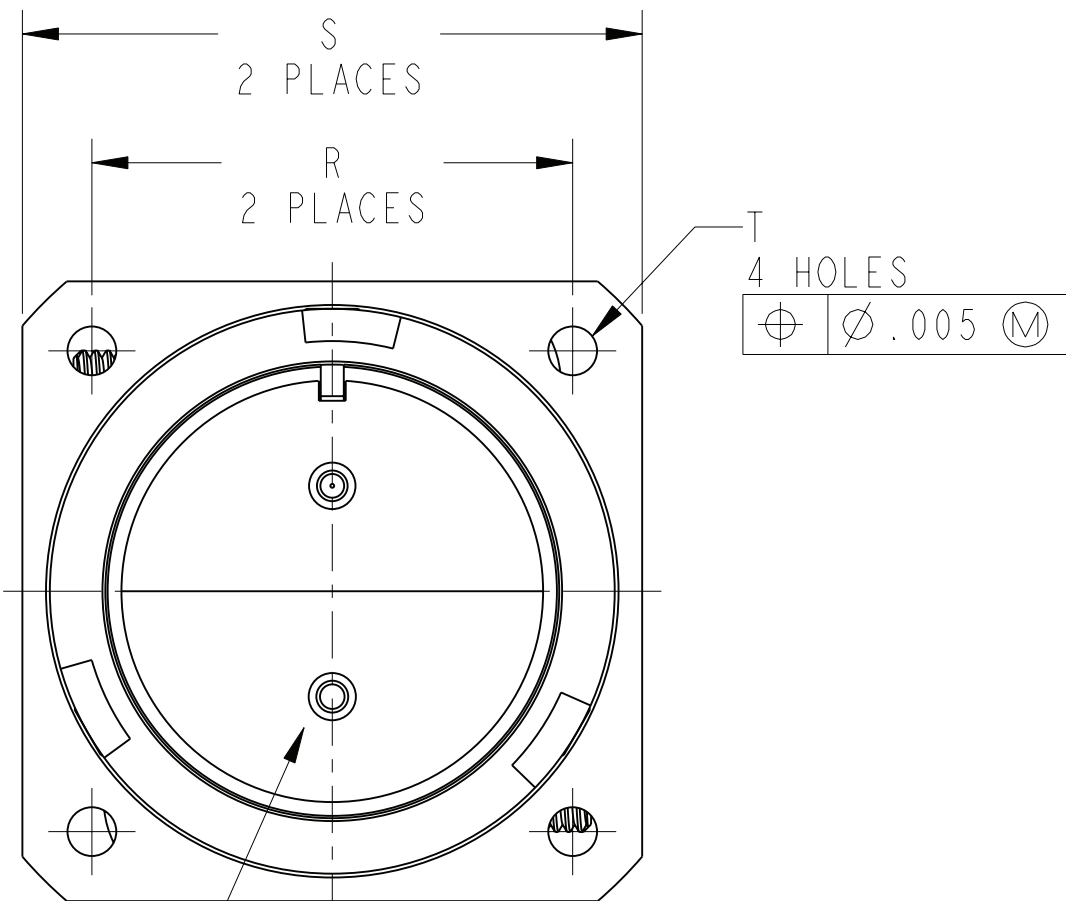
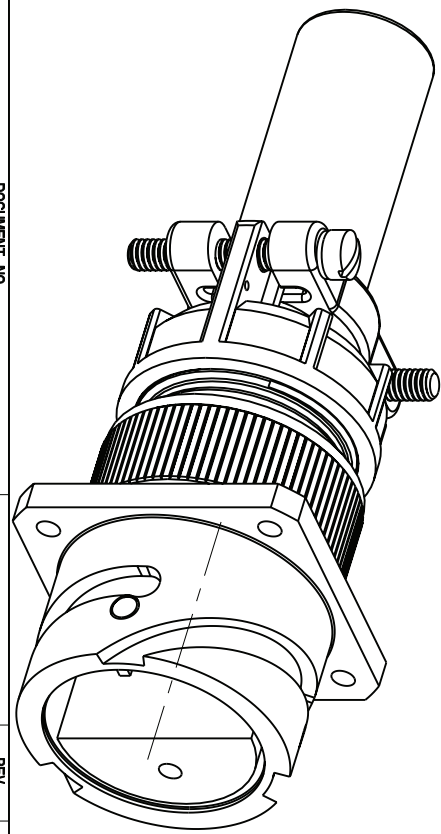
CONTACT SIZE	SHELL SIZE	X	Y ±.040
16 SHORT	10SL, 14S, 16S	.087±.039	.079
16 LONG	16 THRU 40	.260 ^{+.052} _{-.041}	.102
12	16 THRU 40	.118 ^{+.039} _{-.056}	.102
0, 4, 8	16 THRU 40	.091±.039	.102

WIRE WELL DATA					
CONTACT SIZE	0	4	8	12	16
WELL DIA	.453±.005	.281 ^{+.005} _{-.004}	.179 ^{+.004} _{-.002}	.098 ^{+.004} _{-.001}	.063 ^{+.004} _{-.001}
WELL DEPTH ^{+.031} _{-.000}	.592	.500	.500	.250	.250

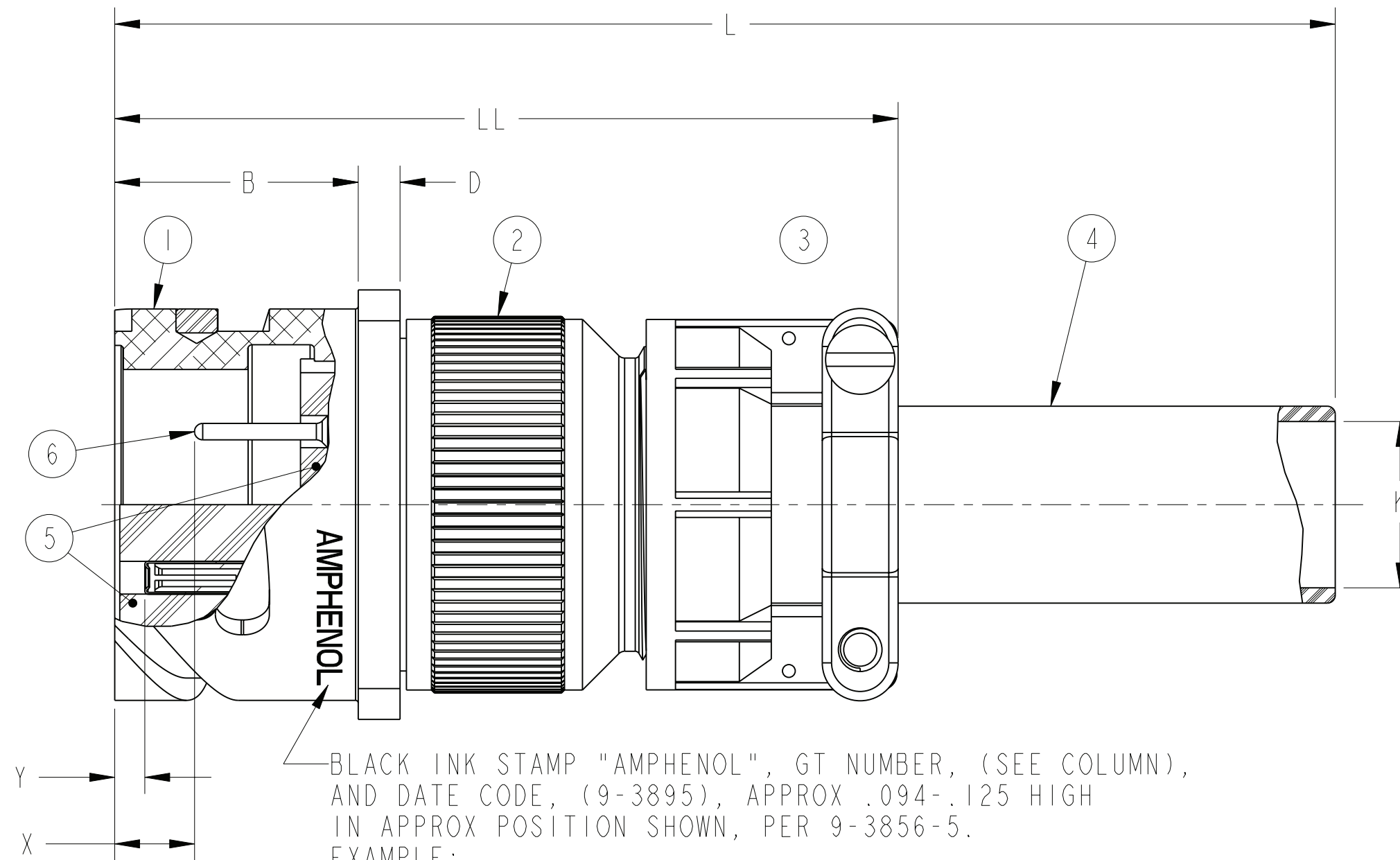
71-634260/279

SHEET 1 OF 2

REV. A



SEE NOTE 4



BLACK INK STAMP "AMPHENOL", GT NUMBER, (SEE COLUMN), AND DATE CODE, (9-3895), APPROX .094-.125 HIGH IN APPROX POSITION SHOWN, PER 9-3856-5.
 EXAMPLE:
 AMPHENOL GTC00AF24-12P 1152

POS	QTY	PART NUMBER	DESCRIPTION	NOTE
6		SEE NOTE 10	CONTACTS	
5	1	10-0748XX-()	INSERT	
4	1	SEE COLUMN	SLEEVE	
3	1	SEE COLUMN	CLAMP ASSEMBLY	
2	1	10-564867-XX3	ADAPTER	
1	1	SEE COLUMN	SHELL	

SEE SHEET 2

NOTES:

THE USE OF THIS DOCUMENT IS UNLIMITED. HOWEVER, DOCUMENTS REFERENCED HEREON MAY CONTAIN LIMITED RIGHTS DATA.

RELEASED / Apr. 18 2011, 4:04:24 PM

N/A	PRO/ENGINEER INFORMATION
N/A	Pro/e Model Used: GTC00AF.ASSEM
	Drawing Name: 71-634260.279
	NEXT ASSEMBLY

UNLESS OTHERWISE SPECIFIED
 LINEAR DIMENSIONS ARE IN INCHES
 TOLERANCES:
 .XXXX = ±.0005 ANGLES= ±2°
 .XXX = ±.010
 .XX = ±.03
 .X = ±.1
 DIM. & TOL. PER ASME Y14.5M;
 DRM PER MIL-DTL-31000;
 OTHER Amphenol Sds. PER 9-3800
 LEGENDS:
 =FLAG NOTE CALL OUT REFERENCE ONLY

SPECIFICATIONS
 MATERIAL SPEC.
 N/A
 PROCESS SPEC.
 SEE NOTE 5

APPROVALS	DATE
PREPARED BY A.Prescott	4/14/11
ENGINEER IN CHARGE A.Prescott	
DESIGN MANAGER S.Fitzgerald	
DESIGN ACTIVITY GROUP C & I	
THIRD ANGLE PROJECTION	

PARTS LIST			
AMPHENOL CORPORATION <small>40-60 DELAWARE AVENUE SIDNEY, N.Y. 13838</small>			
CONNECTOR, ELECTRICAL RECEPTACLE, TYPE GTC00AF-(), OLIVE DRAB CADMIUM PLATED			
SIZE C	CAGE CODE 77820	DOCUMENT NO. 71-634260/279	REV. A
SCALE: 2.0		REF: 91-634260/279	SHEET 1 OF 2

FORMAT: C-U-L-REV..B

SHEET 1 OF 2

71-634260/279

REV. A

ASSEMBLY NUMBER	SIZE	GT NUMBER	SHELL	CLAMP ASSY	SLEEVE	B ±.008	D ±.008	K DIA MIN	L MAX	R	S ±.012	T DIA +.004 -.000	LL MAX
71-634260-()	8S	NOT AVAILABLE											
71-634261-()	10S	NOT AVAILABLE											
71-634262-()	10SL	GTC00AF10SL-()	10-580713-113	10-824810-004	10-824802-004	.725	.110	.220	4.878	.717	1.000	.126	2.520
71-634263-()	12S	NOT AVAILABLE											
71-634264-()	12	NOT AVAILABLE											
71-634265-()	14S	GTC00AF14S-()	10-580713-143	10-824810-007	10-824802-006	.725	.126	.312	4.878	.906	1.181	.126	2.598
71-634266-()	14	NOT AVAILABLE											
71-634267-()	16S	GTC00AF16S-()	10-580713-163	10-824810-008	10-824802-008	.725	.126	.437	4.878	.969	1.280	.126	2.914
71-634268-()	16	GTC00AF16-()	10-580713-173	10-824810-008	10-824802-008	.854	.126	.437	5.019	.969	1.280	.126	2.854
71-634269-()	18	GTC00AF18-()	10-580713-183	10-824810-010	10-824802-010	.915	.157	.562	5.080	1.063	1.378	.126	3.190
71-634270-()	20	GTC00AF20-()	10-580713-203	10-824810-012	10-824802-012	.915	.157	.625	5.080	1.157	1.496	.126	3.190
71-634271-()	22	GTC00AF22-()	10-580713-223	10-824810-012	10-824802-012	.915	.157	.625	5.080	1.252	1.614	.126	3.190
71-634272-()	24	GTC00AF24-()	10-580713-243	10-824810-016	10-824802-016	.915	.157	.750	5.017	1.374	1.752	.146	3.442
71-634273-()	28	GTC00AF28-()	10-580713-283	10-824810-016	10-824802-016	.955	.157	.750	5.057	1.563	2.000	.146	3.482
71-634274-()	32	GTC00AF32-()	10-580713-323	10-824810-020	10-824802-020	.955	.157	.937	4.994	1.752	2.244	.169	3.419
71-634275-()	36	GTC00AF36-()	10-580713-363	10-824810-024	10-824802-024	.955	.157	1.250	5.388	1.937	2.500	.169	4.206
71-634276-()	40	GTC00AF40-()	10-580713-403	10-824810-028	10-824802-028	.955	.157	1.375	5.709	2.185	2.752	.169	5.191
71-634277/279-()		NOT AVAILABLE											

TO COMPLETE ADD APPLICABLE INSERT ARRANGEMENT SUFFIX PER 9-2437.

6. SEE WORK ORDER FOR PERMISSIBLE ADDITIONAL OR ALTERNATE STAMPING.

5. PROCESS SPEC:
 ASSY 9-9238
 TEST 9-3106-18
 9-3856-5, 9-3895, 9-2437

4. INSERTS ARE NOT REMOVABLE.

3. DRAWING ILLUSTRATES FINAL ASSEMBLY. FOR STORAGE AND SHIPPING, ADAPTER MUST BE LOOSELY COUPLED. CONTACTS ARE SHIPPED UNASSEMBLED.

2. FOR CONTACT SIZE, SPACING AND SERVICE RATING, SEE MIL-STD-1651 OR L-11908/48-().

1. UNIT MEETS APPLICABLE REQUIREMENTS OF MIL-C-5015.

NOTES:

THE USE OF THIS DOCUMENT IS UNLIMITED. HOWEVER, DOCUMENTS REFERENCED HEREON MAY CONTAIN LIMITED RIGHTS DATA.

10. FOR FINAL INSTALLATION CONTACTS MUST BE ASSEMBLED INTO ALL INSERT HOLES. ALL UNUSED GROMMET HOLES MUST BE FILLED WITH THE APPROPRIATE SIZE SEALING PLUG.

9. PACKAGE PER PRODUCTION PROCESS SHEET.

8. SEE SEPARATE PARTS LIST FOR COMPONENT PART NUMBERS AND QUANTITIES.

7. FOR MATING CONNECTOR ASSEMBLIES, SEE 91-580450/469 AND OTHERS.

RELEASED / Apr. 18 2011, 4:04:24 PM

SIZE C	CAGE CODE 77820	DOCUMENT NO. 71-634260/279	REV. A
SCALE: 2.0		REF. 91-634260/279	SHEET 2 OF 2

71-634260/279

SHEET 2 OF 2

REV. A

C

B

A

FORMAT: C-U-E-Rev. B

REV. A

SHEET 2 OF 2

71-634260/279

A

X-ON Electronics

Largest Supplier of Electrical and Electronic Components

Click to view similar products for [Circular MIL Spec Connector](#) category:

Click to view products by [Amphenol](#) manufacturer:

Other Similar products are found below :

[89075GULPR](#) [0025-262-542](#) [0025-264-3014](#) [58-570121-04S](#) [0134-213-1208](#) [0134-213-2209](#) [0025-258-000](#) [60-042022-07P](#) [60-042022-19P](#)
[60-042022-23P](#) [60-042217-10P](#) [0114-201-1278](#) [012-0467-000](#) [602GB06EG24-61SN](#) [0134-201-1207](#) [0134-213-1006](#) [6104-207-2302](#) [6104-](#)
[208-1902](#) [61-168211-04P](#) [61-168617-10P](#) [6131-202-19149P](#) [6131-204-21149P](#) [6131-208-13149P](#) [6131-209-17149P](#) [6131-210-11149P](#) [6131-](#)
[211-19149P](#) [6131-216-19149P](#) [6131-259-21149P](#) [6131-259-23149P](#) [6131-265-17149P](#) [6131-265-19149P](#) [CS3100A18-1P-472](#) [CS3100A-36-](#)
[77P](#) [CS3101A-16-55P](#) [CS3102A-10SL-55P](#) [CS3102A-14S-58P](#) [CS3102A-32-17P](#) [CS3102A32-25S](#) [CS3102C18-4P-472](#)
[CS3106A10SL3S004](#) [CS3106A-18-73S](#) [CS3108A-14S-52S](#) [CS3108A-28-51S](#) [6162-233-1277](#) [6162-324-1231](#) [M243082296Z](#)
[M2884010AC1S1](#) [CT0-24-10SC](#) [CT0M20-7PCAU](#) [M28840/17AC1G3](#)