

REV. A	SHEET 1 OF 2	71-634260/279
REVISIONS		
LTR	DESCRIPTION	DATE
A	INITIAL RELEASE	

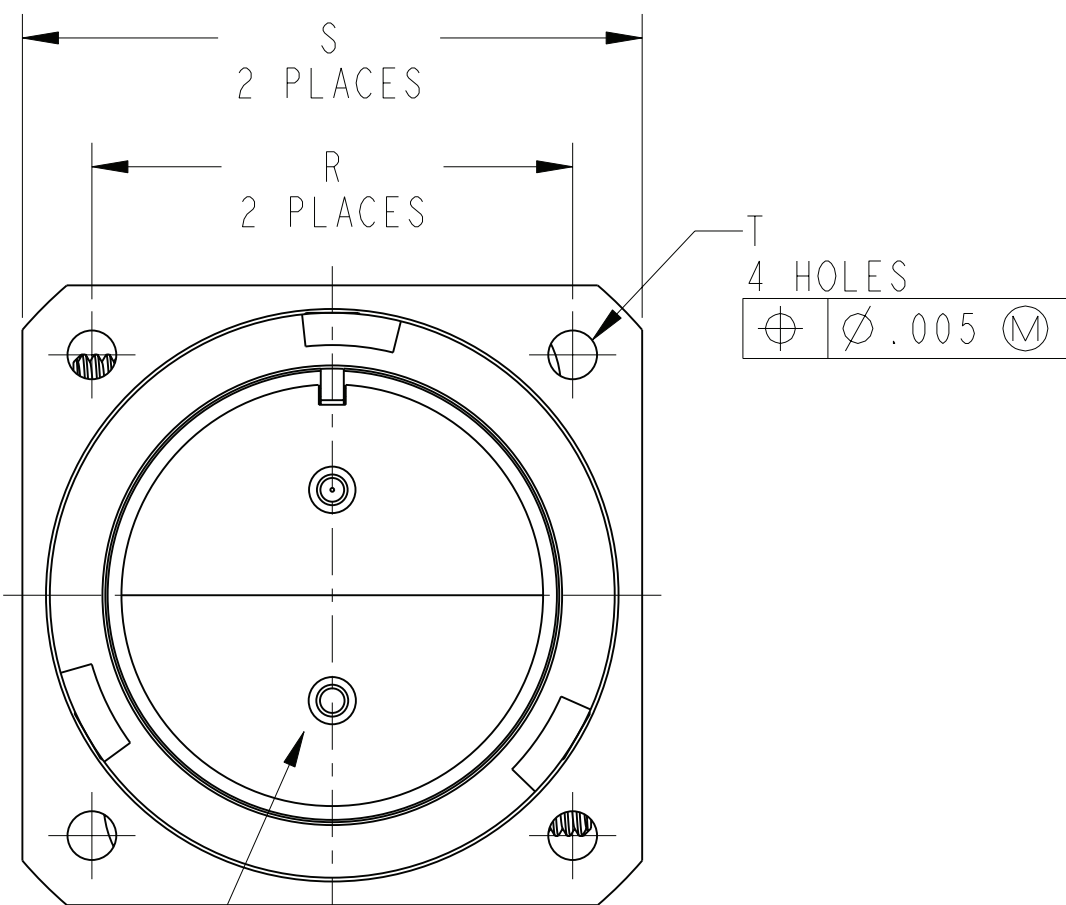
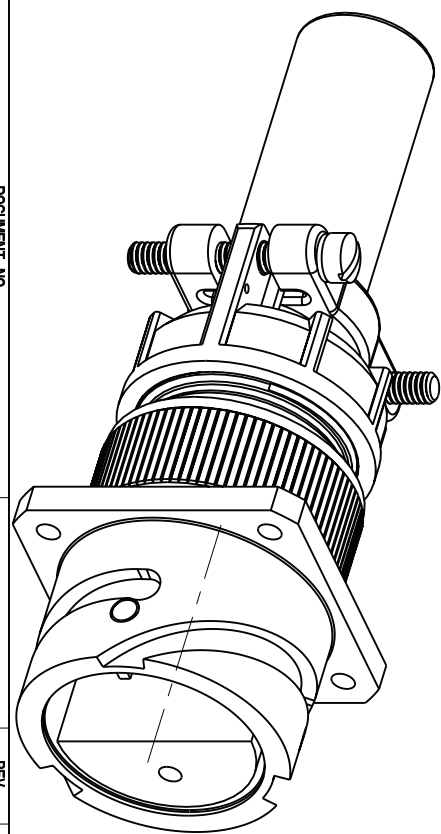
CONTACT SIZE	SHELL SIZE	X	Y ±.040
16 SHORT	10SL, 14S, 16S	.087±.039	.079
16 LONG	16 THRU 40	.260 ^{+.052} _{-.041}	.102
12	16 THRU 40	.118 ^{+.039} _{-.056}	.102
0, 4, 8	16 THRU 40	.091±.039	.102

WIRE WELL DATA					
CONTACT SIZE	0	4	8	12	16
WELL DIA	.453±.005	.281 ^{+.005} _{-.004}	.179 ^{+.004} _{-.002}	.098 ^{+.004} _{-.001}	.063 ^{+.004} _{-.001}
WELL DEPTH ^{+.031} _{-.000}	.592	.500	.500	.250	.250

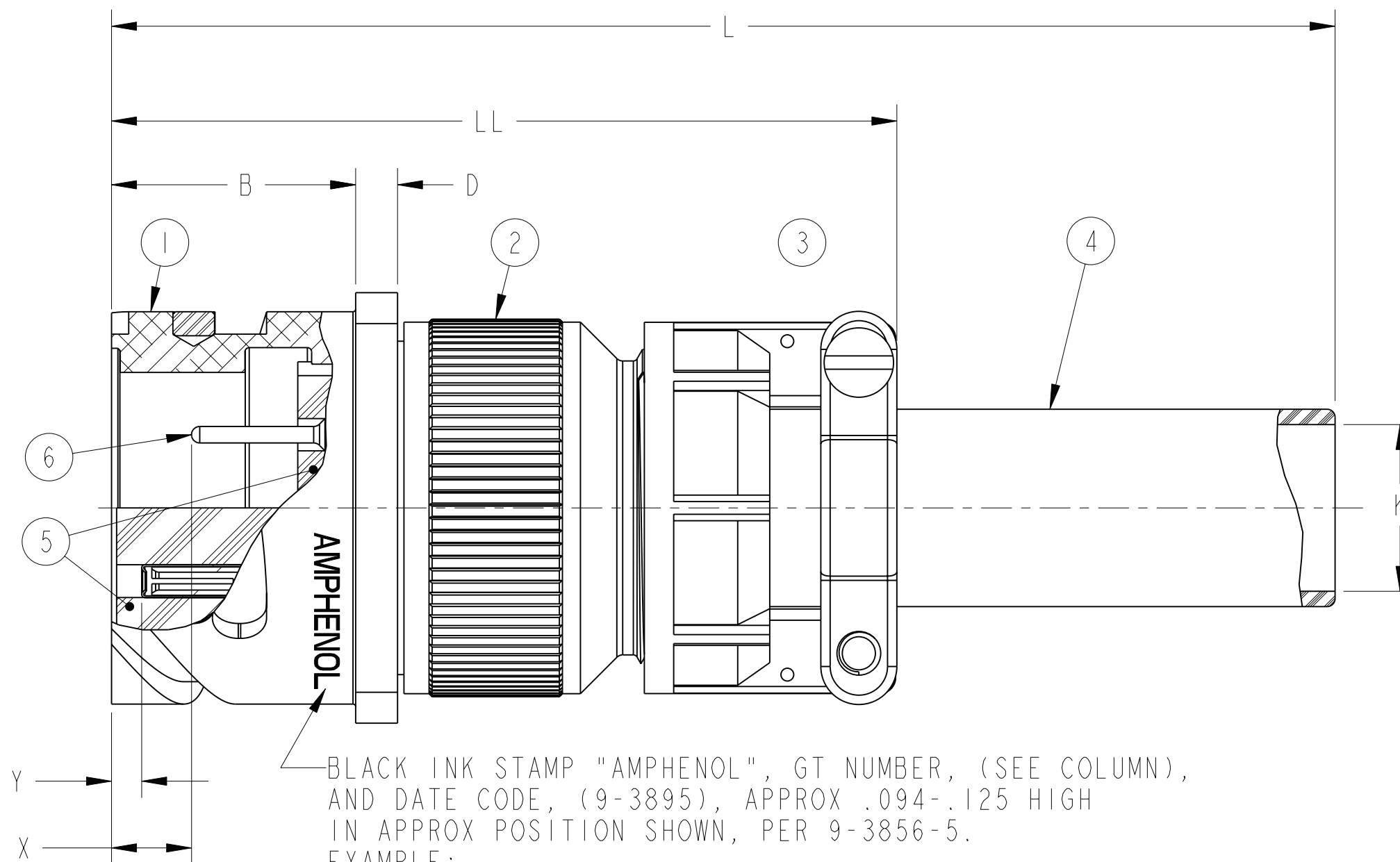
71-634260/279

SHEET 1 OF 2

REV. A



SEE NOTE 4



BLACK INK STAMP "AMPHENOL", GT NUMBER, (SEE COLUMN), AND DATE CODE, (9-3895), APPROX .094-.125 HIGH IN APPROX POSITION SHOWN, PER 9-3856-5.
 EXAMPLE:
 AMPHENOL GTC00AF24-12P 1152

POS	QTY	PART NUMBER	DESCRIPTION	NOTE
6		SEE NOTE 10	CONTACTS	
5	1	10-0748XX-()	INSERT	
4	1	SEE COLUMN	SLEEVE	
3	1	SEE COLUMN	CLAMP ASSEMBLY	
2	1	10-564867-XX3	ADAPTER	
1	1	SEE COLUMN	SHELL	

SEE SHEET 2

NOTES:

THE USE OF THIS DOCUMENT IS UNLIMITED. HOWEVER, DOCUMENTS REFERENCED HEREON MAY CONTAIN LIMITED RIGHTS DATA.

RELEASED / Apr . 18 2011, 4:04:24 PM

N/A	PRO/ENGINEER INFORMATION
N/A	Pro/e Model Used: GTC00AF.ASSEM
	Drawing Name: 71-634260.279

UNLESS OTHERWISE SPECIFIED
 LINEAR DIMENSIONS ARE IN INCHES
 TOLERANCES:
 .XXXX = ±.0005 ANGLES= ±2°
 .XXX = ±.010
 .XX = ±.03
 .X = ±.1

DIM. & TOL. PER ASME Y14.5M;
 DRM PER MIL-DTL-31000;
 OTHER Amphenol Sds. PER 9-3800

LEGENDS:
 =FLAG NOTE CALL OUT REFERENCE ONLY

SPECIFICATIONS
 MATERIAL SPEC.
 N/A

PROCESS SPEC.
 SEE NOTE 5

APPROVALS	DATE
PREPARED BY A.Prescott	4/14/11
ENGINEER IN CHARGE A.Prescott	
DESIGN MANAGER S.Fitzgerald	
DESIGN ACTIVITY GROUP C & I	
THIRD ANGLE PROJECTION	

PARTS LIST			
AMPHENOL CORPORATION 40-60 DELAWARE AVENUE SIDNEY, N.Y. 13838			
CONNECTOR, ELECTRICAL RECEPTACLE, TYPE GTC00AF-(), OLIVE DRAB CADMIUM PLATED			
SIZE C	CAGE CODE 77820	DOCUMENT NO. 71-634260/279	REV. A
SCALE: 2.0		REF: 91-634260/279	SHEET 1 OF 2

FORMAT: C-U-L-R-REV-B

SHEET 1 OF 2

71-634260/279

REV. A

ASSEMBLY NUMBER	SIZE	GT NUMBER	SHELL	CLAMP ASSY	SLEEVE	B ±.008	D ±.008	K DIA MIN	L MAX	R	S ±.012	T DIA +.004 -.000	LL MAX
71-634260-()	8S	NOT AVAILABLE											
71-634261-()	10S	NOT AVAILABLE											
71-634262-()	10SL	GTC00AF10SL-()	10-580713-113	10-824810-004	10-824802-004	.725	.110	.220	4.878	.717	1.000	.126	2.520
71-634263-()	12S	NOT AVAILABLE											
71-634264-()	12	NOT AVAILABLE											
71-634265-()	14S	GTC00AF14S-()	10-580713-143	10-824810-007	10-824802-006	.725	.126	.312	4.878	.906	1.181	.126	2.598
71-634266-()	14	NOT AVAILABLE											
71-634267-()	16S	GTC00AF16S-()	10-580713-163	10-824810-008	10-824802-008	.725	.126	.437	4.878	.969	1.280	.126	2.914
71-634268-()	16	GTC00AF16-()	10-580713-173	10-824810-008	10-824802-008	.854	.126	.437	5.019	.969	1.280	.126	2.854
71-634269-()	18	GTC00AF18-()	10-580713-183	10-824810-010	10-824802-010	.915	.157	.562	5.080	1.063	1.378	.126	3.190
71-634270-()	20	GTC00AF20-()	10-580713-203	10-824810-012	10-824802-012	.915	.157	.625	5.080	1.157	1.496	.126	3.190
71-634271-()	22	GTC00AF22-()	10-580713-223	10-824810-012	10-824802-012	.915	.157	.625	5.080	1.252	1.614	.126	3.190
71-634272-()	24	GTC00AF24-()	10-580713-243	10-824810-016	10-824802-016	.915	.157	.750	5.017	1.374	1.752	.146	3.442
71-634273-()	28	GTC00AF28-()	10-580713-283	10-824810-016	10-824802-016	.955	.157	.750	5.057	1.563	2.000	.146	3.482
71-634274-()	32	GTC00AF32-()	10-580713-323	10-824810-020	10-824802-020	.955	.157	.937	4.994	1.752	2.244	.169	3.419
71-634275-()	36	GTC00AF36-()	10-580713-363	10-824810-024	10-824802-024	.955	.157	1.250	5.388	1.937	2.500	.169	4.206
71-634276-()	40	GTC00AF40-()	10-580713-403	10-824810-028	10-824802-028	.955	.157	1.375	5.709	2.185	2.752	.169	5.191
71-634277/279-()		NOT AVAILABLE											

TO COMPLETE ADD APPLICABLE INSERT ARRANGEMENT SUFFIX PER 9-2437.

- 6. SEE WORK ORDER FOR PERMISSIBLE ADDITIONAL OR ALTERNATE STAMPING.
- 5. PROCESS SPEC:
ASSY 9-9238
TEST 9-3106-18
9-3856-5, 9-3895, 9-2437
- 4. INSERTS ARE NOT REMOVABLE.
- 3. DRAWING ILLUSTRATES FINAL ASSEMBLY. FOR STORAGE AND SHIPPING, ADAPTER MUST BE LOOSELY COUPLED. CONTACTS ARE SHIPPED UNASSEMBLED.
- 2. FOR CONTACT SIZE, SPACING AND SERVICE RATING, SEE MIL-STD-1651 OR L-11908/48-().
- 1. UNIT MEETS APPLICABLE REQUIREMENTS OF MIL-C-5015.

- 10. FOR FINAL INSTALLATION CONTACTS MUST BE ASSEMBLED INTO ALL INSERT HOLES. ALL UNUSED GROMMET HOLES MUST BE FILLED WITH THE APPROPRIATE SIZE SEALING PLUG.
- 9. PACKAGE PER PRODUCTION PROCESS SHEET.
- 8. SEE SEPARATE PARTS LIST FOR COMPONENT PART NUMBERS AND QUANTITIES.
- 7. FOR MATING CONNECTOR ASSEMBLIES, SEE 91-580450/469 AND OTHERS.

NOTES:
THE USE OF THIS DOCUMENT IS UNLIMITED. HOWEVER, DOCUMENTS REFERENCED HEREON MAY CONTAIN LIMITED RIGHTS DATA.

RELEASED / Apr. 18 2011, 4:04:24 PM

SIZE C	CAGE CODE 77820	DOCUMENT NO. 71-634260/279	REV. A
SCALE: 2.0	REF. 91-634260/279	SHEET 2 OF 2	

71-634260/279 SHEET 2 OF 2 REV. A

71-634260/279 SHEET 2 OF 2 REV. A

X-ON Electronics

Largest Supplier of Electrical and Electronic Components

Click to view similar products for [Circular MIL Spec Connector](#) category:

Click to view products by [Amphenol](#) manufacturer:

Other Similar products are found below :

[0025-262-542](#) [0025-264-3014](#) [58-570121-04S](#) [0134-202-1200](#) [0134-207-1206](#) [0134-207-1800](#) [0134-207-2207](#) [0134-213-0806](#) [0134-213-1007](#) [0134-213-1009](#) [0134-213-1208](#) [0134-213-1800](#) [0134-213-2209](#) [0025-258-000](#) [015-9516-002](#) [60-042722-19P](#) [0114-201-1278](#) [602GB06EG24-61SN](#) [0134-201-1207](#) [0134-201-1806](#) [0134-201-2006](#) [0134-201-2007](#) [0134-201-2010](#) [0134-202-1400](#) [0134-207-0809](#) [0134-207-1208](#) [0134-207-2009](#) [0134-213-1006](#) [6104-207-2302](#) [6104-208-1902](#) [6131-202-19149P](#) [6131-204-21149P](#) [6131-207-13149P](#) [6131-208-13149P](#) [6131-209-17149P](#) [6131-210-11149P](#) [6131-211-19149P](#) [6131-216-19149P](#) [6131-220-25149P](#) [6131-259-11149P](#) [6131-259-21149P](#) [6131-259-23149P](#) [6131-263-19149P](#) [6131-265-17149P](#) [6131-265-19149P](#) [CS3102A-20-15P](#) [CS3102A-20-15S](#) [CS3102C18-4P-472](#) [CS3106A-20-29P](#) [CS3106A-20-74P](#)