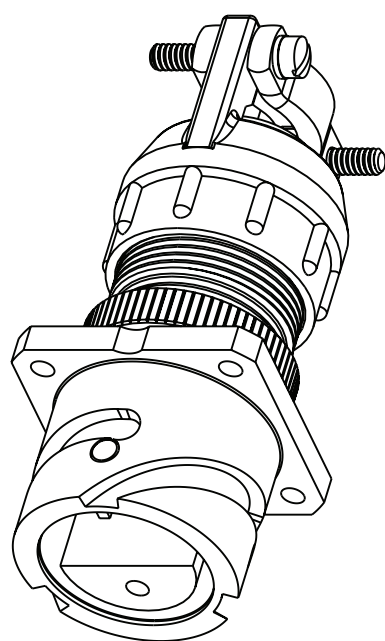
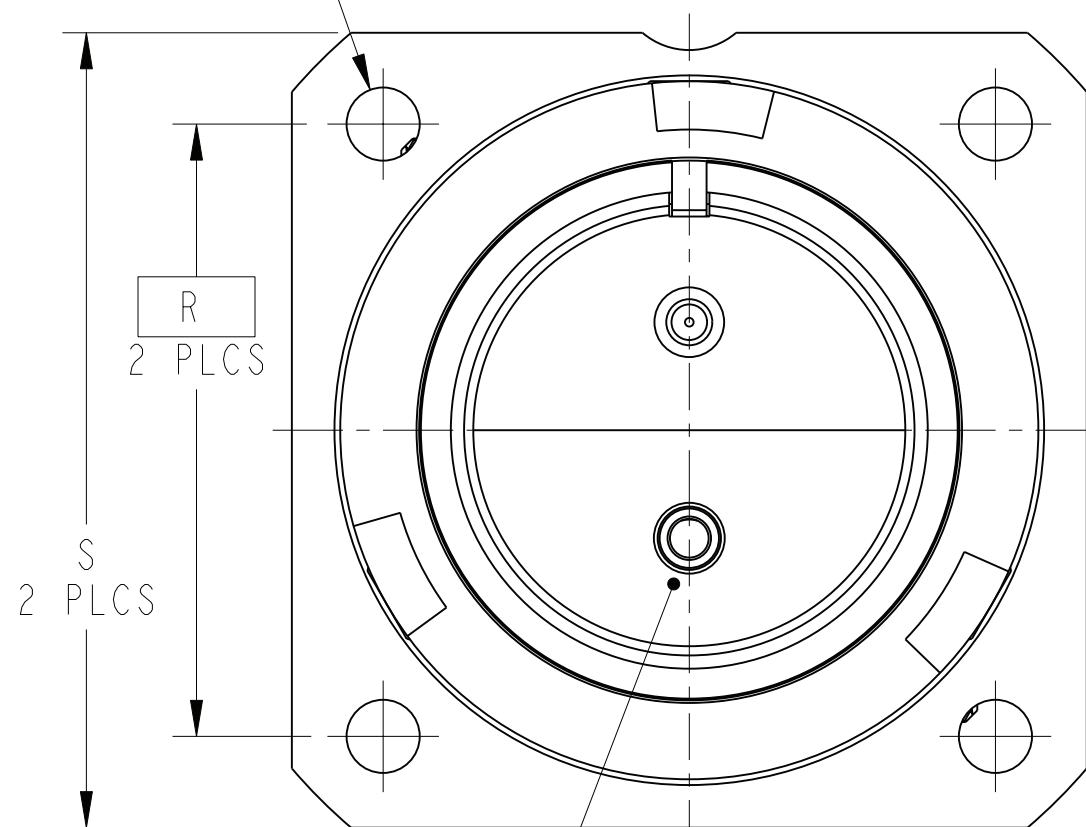


REV. A		SHEET 1 OF 2		DOCUMENT NO. 71-621740/759	
REVISIONS					
LTR	DESCRIPTION			DATE	
A	INITIAL RELEASE				

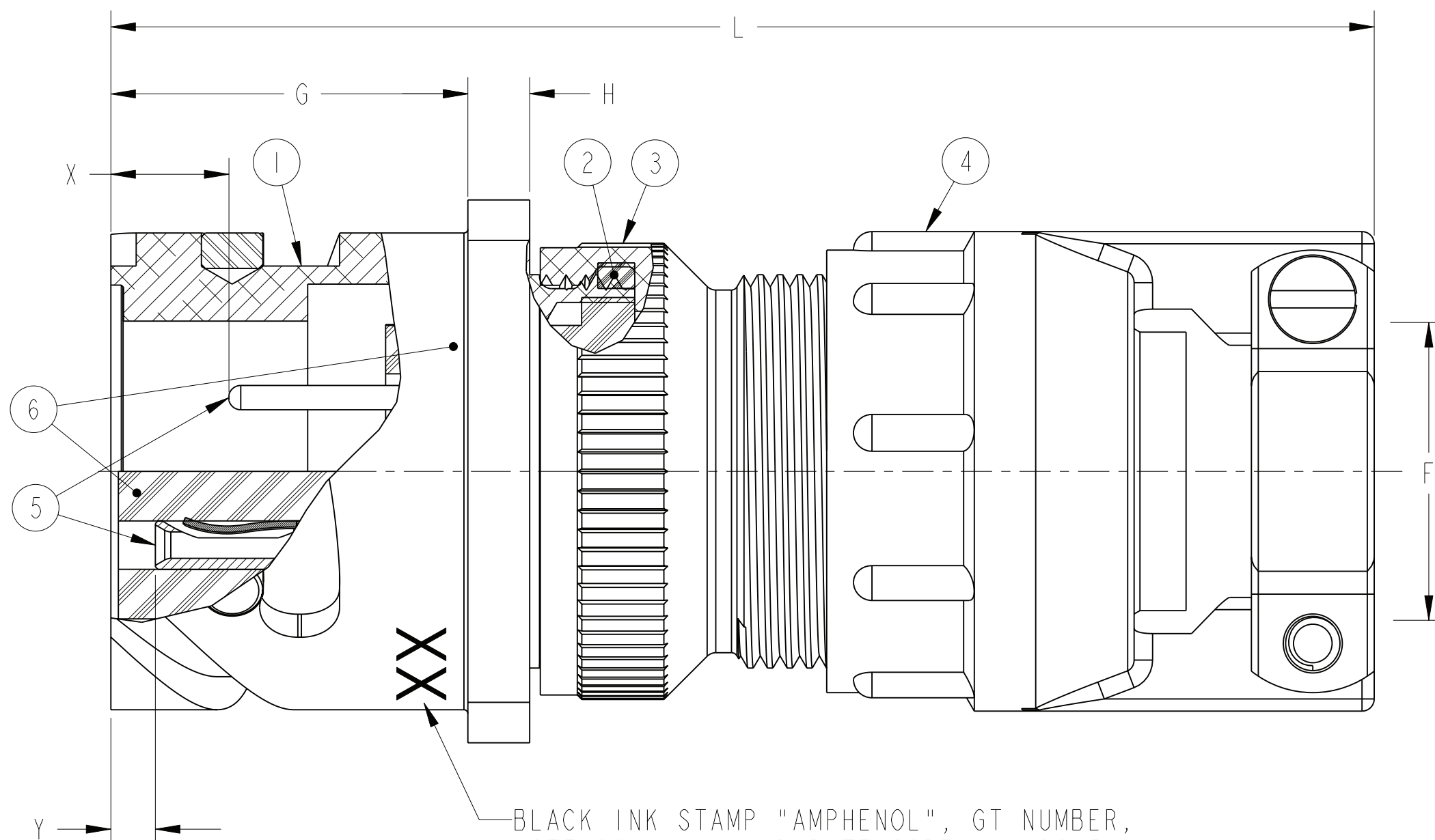
INTERFACE REQUIREMENTS					
CONTACT SIZE	SHELL SIZE	X	Y		
16 SHORT	10SL, 14S, 16S	.087±.039	.079		
16 LONG	16 THRU 40	.260 ^{+.052} _{-.041}	.102		
12	16 THRU 40	.118 ^{+.039} _{-.056}	.102		
0,4,8	16 THRU 40	.091±.039	.102		



4 HOLES
 Ø T
 Ø .005 M



SEE NOTES 2 & 4



BLACK INK STAMP "AMPHENOL", GT NUMBER, (SEE COLUMN), AND DATE CODE, (9-3895), APPROX .125 HIGH, IN APPROX LOCATION SHOWN PER 9-3856-5.
 EXAMPLE:
 AMPHENOL GTC00CF24-11P 0952

POS	QTY	PART NUMBER	DESCRIPTION	NOTE
6		SEE NOTE 10	CONTACTS	
5	1	10-0748XX-()	INSERT	4
4	1	SEE COLUMN	CLAMP ASSEMBLY	
3	1	10-564867-XX3	ADAPTER	
2	1	10-101379-XX1	GASKET	
1	1	SEE COLUMN	SHELL, RECEPTACLE	

SEE SHEET 2.

NOTES:

THE USE OF THIS DOCUMENT IS UNLIMITED. HOWEVER, DOCUMENTS REFERENCED HEREON MAY CONTAIN LIMITED RIGHTS DATA.

RELEASED / Nov . 02 2009, 11:10:42 AM

N/A	PRO/ENGINEER INFORMATION
N/A	Pro/e Model Used: gtc00cf.assem
	Drawing Name: 71-621740-759
	NEXT ASSEMBLY

UNLESS OTHERWISE SPECIFIED
 LINEAR DIMENSIONS ARE IN INCHES
 TOLERANCES:
 .XXXX = ±.0005 ANGLES= ±2°
 .XXX = ±.010
 .XX = ±.03
 .X = ±.1
 DIM. & TOL. PER ASME Y14.5M;
 DRM PER MIL-DTL-31000;
 OTHER Amphenol Sds. PER 9-3800
 LEGENDS:
 =FLAG NOTE CALL OUT REFERENCE ONLY

SPECIFICATIONS
 MATERIAL SPEC.
 9-1936
 PROCESS SPEC.
 SEE NOTE 5

APPROVALS	DATE
PREPARED BY A.Prescott	
ENGINEER IN CHARGE R.Barnes	31-0c1-09
DESIGN MANAGER R.Barnes	
DESIGN ACTIVITY GROUP C & I	
THIRD ANGLE PROJECTION	

PARTS LIST			
AMPHENOL CORPORATION 40-60 DELAWARE AVENUE SIDNEY, N.Y. 13858			
CONNECTOR, ELECTRICAL RECEPTACLE, TYPE GTC00CF-(), OLIVE DRAB CADMIUM PLATED			
SIZE C	CAGE CODE 77820	DOCUMENT NO. 71-621740/759	REV. A
SCALE: 3.0		REF: 92-622860/879	SHEET 1 OF 2

DOCUMENT NO. 71-621740/759
 SHEET 1 OF 2
 REV. A

C
 B
 A

FORMAT: C-U-L-R-V-B

REV. A
 SHEET 1 OF 2
 DOCUMENT NO. 71-621740/759

4

3

2

ASSEMBLY NUMBER	SIZE	GT NUMBER	SHELL	CLAMP ASSEMBLY	F		G +.016 -.000	H ±.008	L MAX	R	S ±.012	T DIA ±.002
					FREE DIA	CLOSED DIA						
71-621740-()	8S	NOT AVAILABLE										
71-621741-()	10S	NOT AVAILABLE										
71-621742-()	10SL	GTC00CF10SL-()	10-580920-113	10-350349-113	.312	.094	.559	.110	2.740	.717	1.000	.128
71-621743-()	12S	NOT AVAILABLE										
71-621744-()	12	NOT AVAILABLE										
71-621745-()	14S	GTC00CF14S-()	10-580920-143	10-350349-143	.438	.230	.559	.126	2.898	.906	1.181	.128
71-621746-()	14	NOT AVAILABLE										
71-621747-()	16S	GTC00CF16S-()	10-580920-163	10-350349-163	.531	.316	.559	.126	2.898	.969	1.280	.128
71-621748-()	16	GTC00CF16-()	10-580920-173	10-350349-173	.531	.316	.748	.126	3.216	.969	1.280	.128
71-621749-()	18	GTC00CF18-()	10-580920-183	10-350349-183	.625	.378	.748	.157	3.307	1.063	1.378	.128
71-621750-()	20	GTC00CF20-()	10-580920-203	10-350349-203	.750	.445	.748	.157	3.311	1.157	1.496	.128
71-621751-()	22	GTC00CF22-()	10-580920-223	10-350349-203	.750	.445	.748	.157	3.350	1.252	1.614	.128
71-621752-()	24	GTC00CF24-()	10-580920-243	10-350349-243	.938	.611	.811	.157	3.484	1.374	1.752	.148
71-621753-()	28	GTC00CF28-()	10-580920-283	10-350349-243	.938	.611	.811	.157	3.736	1.563	2.000	.148
71-621754-()	32	GTC00CF32-()	10-580920-323	10-350349-323	1.250	.922	.874	.157	4.142	1.752	2.244	.171
71-621755-()	36	GTC00CF36-()	10-580920-363	10-350349-363	1.315	.922	.874	.157	4.390	1.937	2.500	.171
71-621756-()	40	GTC00CF40-()	10-580920-403	10-350349-403	1.625	1.180	.874	.157	4.988	2.185	2.752	.171
71-621757/59		NOT AVAILABLE										

TO COMPLETE, ADD APPLICABLE INSERT ARRANGEMENT SUFFIX PER 9-2437.

CONTACT SIZE	0	4	8	12	16
WELL DIA	.453±.005	.281 ^{+.005} _{-.004}	.179 ^{+.004} _{-.002}	.098 ^{+.004} _{-.001}	.063 ^{+.004} _{-.001}
WELL DEPTH ^{+.031} _{-.000}	.592	.500	.500	.250	.250

5. PROCESS SPEC:
ASSY 9-9238
TEST 9-3106-18
9-3856-5, 9-3895, 9-2437, 9-1936
4. INSERTS ARE NOT REMOVABLE.
3. DRAWING ILLUSTRATES FINAL ASSEMBLY.
2. FOR CONTACT SIZE, SPACING AND SERVICE RATING, SEE MIL-STD-1651 OR L-11908/48-().
1. UNIT MEETS THE APPLICABLE REQUIREMENTS OF MIL-C-5015.

10. APPLY A LIGHT FILM OF 9-1936 TO ADAPTER GASKET.
9. PACKAGE PER PRODUCTION PROCESS SHEET.
8. SEE SEPARATE PARTS LIST FOR COMPONENT PART NUMBERS AND QUANTITIES.
7. FOR MATING CONNECTOR ASSEMBLIES, SEE 71-580450/469 AND OTHERS.
6. SEE WORK ORDER FOR PERMISSIBLE ADDITIONAL OR ALTERNATE STAMPING.

NOTES:
THE USE OF THIS DOCUMENT IS UNLIMITED. HOWEVER, DOCUMENTS REFERENCED HEREON MAY CONTAIN LIMITED RIGHTS DATA.

RELEASED / Nov . 02 2009, 11:10:42 AM

SIZE C	CAGE CODE 77820	DOCUMENT NO. 71-621740/759	REV. A
SCALE: 2.0	REF. 92-622860/879	SHEET 2 OF 2	

3

2

1

71-621740/759 DOCUMENT NO. SHEET 2 OF 2 REV. A

71-621740/759 DOCUMENT NO. SHEET 2 OF 2 REV. A

X-ON Electronics

Largest Supplier of Electrical and Electronic Components

Click to view similar products for [Circular MIL Spec Connector](#) category:

Click to view products by [Amphenol](#) manufacturer:

Other Similar products are found below :

[89075GULPR](#) [0025-262-542](#) [0025-264-3014](#) [58-570121-04S](#) [0134-213-1208](#) [0134-213-2209](#) [0025-258-000](#) [60-042022-07P](#) [60-042022-19P](#)
[60-042022-23P](#) [60-042217-10P](#) [0114-201-1278](#) [012-0467-000](#) [602GB06EG24-61SN](#) [0134-201-1207](#) [0134-213-1006](#) [6104-207-2302](#) [6104-](#)
[208-1902](#) [61-168211-04P](#) [61-168617-10P](#) [6131-202-19149P](#) [6131-204-21149P](#) [6131-208-13149P](#) [6131-209-17149P](#) [6131-210-11149P](#) [6131-](#)
[211-19149P](#) [6131-216-19149P](#) [6131-259-21149P](#) [6131-259-23149P](#) [6131-265-17149P](#) [6131-265-19149P](#) [CS3100A18-1P-472](#) [CS3100A-36-](#)
[77P](#) [CS3101A-16-55P](#) [CS3102A-10SL-55P](#) [CS3102A-14S-58P](#) [CS3102A-32-17P](#) [CS3102A32-25S](#) [CS3102C18-4P-472](#)
[CS3106A10SL3S004](#) [CS3106A-18-73S](#) [CS3108A-14S-52S](#) [CS3108A-28-51S](#) [6162-233-1277](#) [6162-324-1231](#) [M243082296Z](#)
[M2884010AC1S1](#) [CT0-24-10SC](#) [CT0M20-7PCAU](#) [M28840/17AC1G3](#)