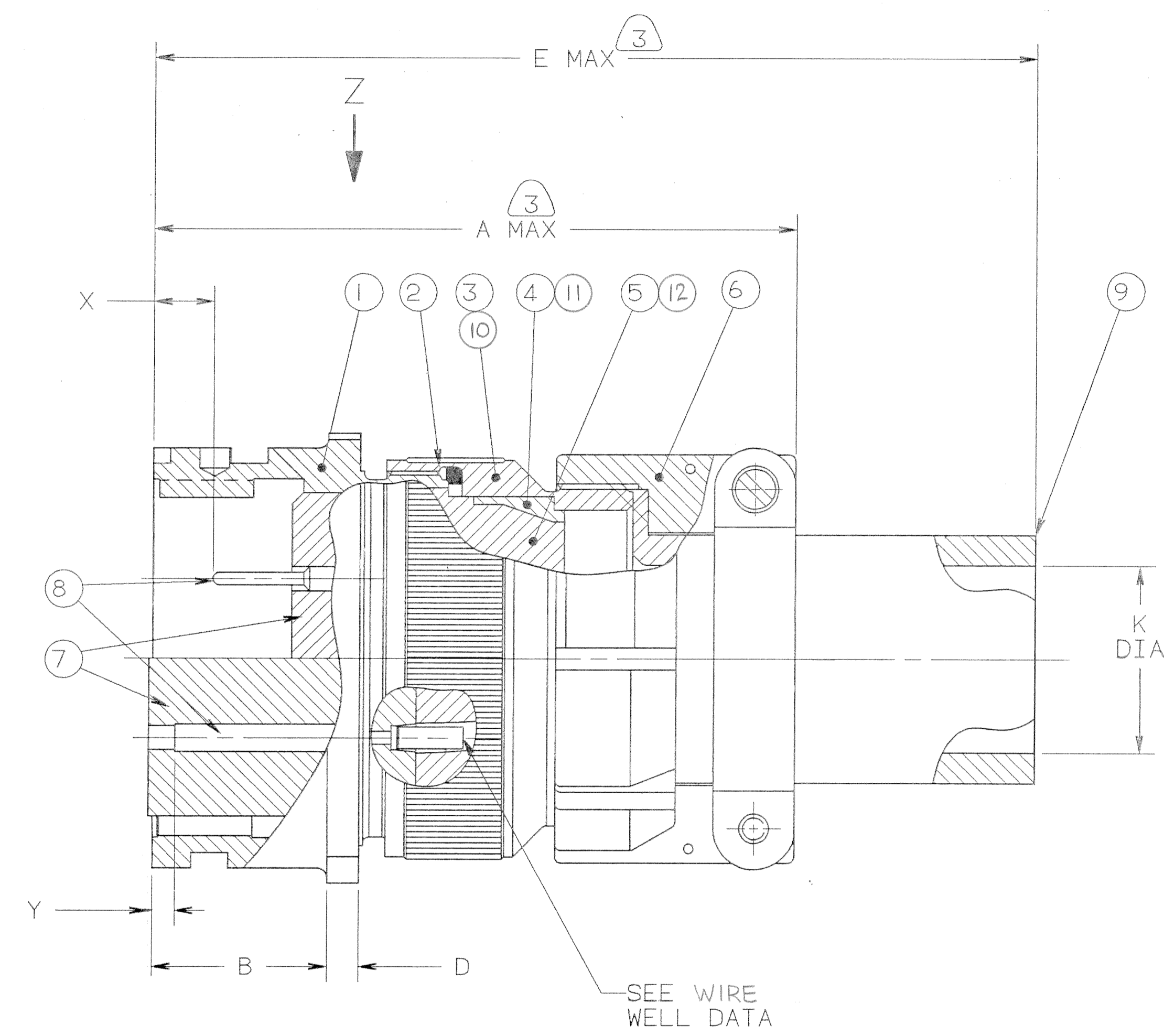
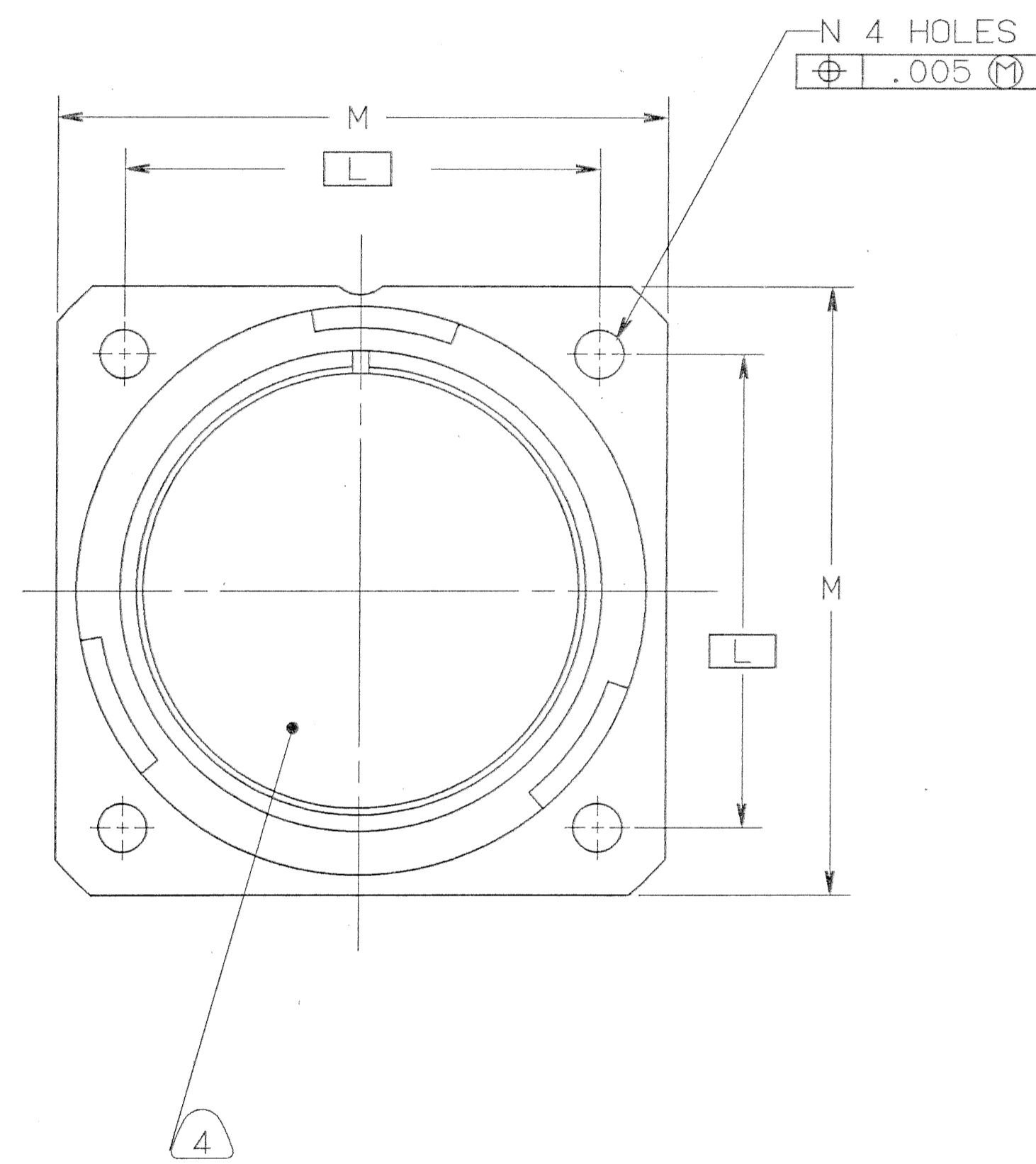


CONTACT SIZE	SHELL SIZE	X	Y ±.040
16 SHORT	10SL, 14S, 16S	.087±.039	.079
16 LONG	14, 16, THRU 40	.260±.052	.102
12	14, 16, THRU 40	.118±.039	.102
4,8,0	14, 16, THRU 40	.091±.039	.102

REVISIONS				
ZONE	LTR	DESCRIPTION	DATE	APPROVED
A		INITIAL RELEASE NUM: 70022-1935		
B		(CLII) SEE ECN 27939	7-21-93 Prescott	Prescott
C		(CLII) REM "O" NOTE 13, WAS .750" O" WELL DEPTH ECN: 28347	12-22-97 SARINER	Yes
D		(CLII) SEE CHG NOTICE ECN: 86876	7-26-99 Prescott	Prescott



ITEM NO.	QTY	DESCRIPTION	REF.
12	1	SEE COLUMN	12,13
11	1	10-581819-XX1	13
10	1	10-581821-XX3	3,13
9	1	SEE COLUMN	
8	SEE NOTE 10	CONTACT	3
7	1	10-748XX-XXX	
6	1	SEE COLUMN	
5	1	10-607XX-XX	14
4	1	10-564869-XX	14
3	1	10-564867-XX3	14,3
2	1	10-101379-XX1	8
1	1	SEE COLUMN	

SEE SHEET 2
NOTES:

THE USE OF THIS DOCUMENT IS UNLIMITED. HOWEVER, DOCUMENTS REFERENCED HEREON MAY CONTAIN LIMITED RIGHTS DATA.

COMPANY ID: 2
 CODED/MS/CUST: Y
 INTERNAL: N
 LOTNO: N
 DATE CODE: 9-3895
 SEE PRINT: N

UNLESS OTHERWISE SPECIFIED
 LINEAR DIMENSIONS ARE IN INCHES.
 TOLERANCES: .XXX±.010,
 .XX ±.03, .X ±.1, ANGLES ±2°.
 OTHER STANDARDS PER 9-3800
 AND DOD-D-1000. NOTE REF= (XX)

FIND NO.	QTY REQD.	FSCM NO.	PART NUMBER	DESCRIPTION	NOTE REF.
PARTS LIST					
SPECIFICATIONS					
MATERIAL SPEC. N/A					
PROCESS SPEC. SEE NOTE 5					
SIGNATURES			DATES		
PREPARED: Prescott			6/3/92		
CHECKED: [Signature]			4/5/92		
APPROVED: [Signature]			4/5/92		
APPROVED: [Signature]			6/5/92		
AMPHENOL CORPORATION BENDIX CONNECTOR OPERATIONS SIDNEY, N.Y.					
CONNECTOR, ELECTRICAL RECEPTACLE, FRONT PANEL MOUNT, REVERSE BAYONET COUPLING, TYPE GTC00F(1)-(1)					
SIZE: D		FSCM NO: 77820		71-581180/199	
SCALE: NONE		WT:		REF: 71-580580/589	
SHEET 1		OF 2		REV D	

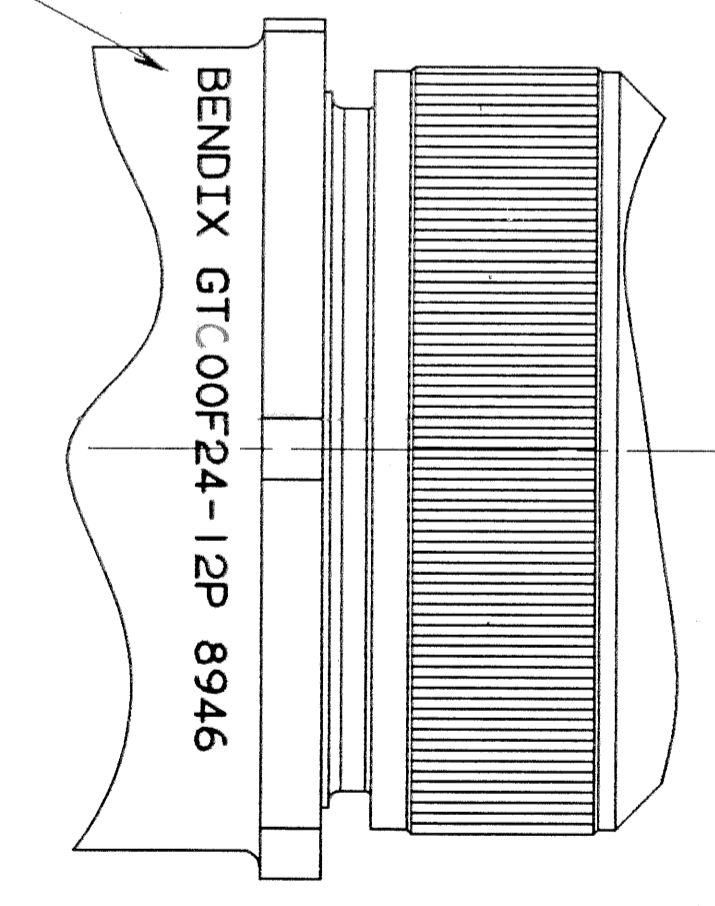
ASSEMBLY NUMBER	SHELL SIZE	GT NUMBER	SHELL	CLAMP ASSY	SLEEVE	A MAX	B +.016 -.000	D ±.008	E MAX	K MIN	L ±.012	M ±.012	N DIA +.004 -.000	GROMMET
71-581180-()	8S	NOT AVAILABLE												
71-581181-()	10S	NOT AVAILABLE												
71-581182-()	10SL	GTC00F10SL-()	10-580920-113	10-824810- 4	10-824802- 4	2.362	.559	.110	4.720	.218	.717	1.000	.126	10-581825-()
71-581183-()	12S	NOT AVAILABLE												
71-581184-()	12	NOT AVAILABLE												
71-581185-()	14S	GTC00F14S-()	10-580920-143	10-824810- 7	10-824802- 6	2.440	.559	.126	4.720	.310	.906	1.181	.126	10-581827-()
71-581186-()	14	NOT AVAILABLE												
71-581187-()	16S	GTC00F16S-()	10-580920-163	10-824810- 8	10-824802- 8	2.756	.559	.126	4.720	.435	.969	1.280	.126	10-581829-()
71-581188-()	16	GTC00F16-()	10-580920-173	10-824810- 8	10-824802- 8	2.756	.748	.126	4.921	.435	.969	1.280	.126	10-581830-()
71-581189-()	18	GTC00F18-()	10-580920-183	10-824810-10	10-824802-10	3.031	.748	.157	4.921	.560	1.063	1.378	.126	10-581831-()
71-581190-()	20	GTC00F20-()	10-580920-203	10-824810-12	10-824802-12	3.031	.748		4.921	.623	1.157	1.496	.126	10-581832-()
71-581191-()	22	GTC00F22-()	10-580920-223	10-824810-12	10-824802-12	3.031	.748		4.921	.623	1.252	1.614	.126	10-581833-()
71-581192-()	24	GTC00F24-()	10-580920-243	10-824810-16	10-824802-16	3.346	.811		4.921	.748	1.374	1.752	.146	10-581834-()
71-581193-()	28	GTC00F28-()	10-580920-283	10-824810-16	10-824802-16	3.346	.811		4.921	.748	1.563	2.000	.146	10-581835-()
71-581194-()	32	GTC00F32-()	10-580920-323	10-824810-20	10-824802-20	3.346	.874		4.921	.935	1.752	2.244	.169	10-581836-()
71-581195-()	36	GTC00F36-()	10-580920-363	10-824810-24	10-824802-24	4.133	.874		5.315	1.248	1.937	2.500	.169	10-581837-()
71-581196-()	40	GTC00F40-()	10-580920-403	10-824810-28	10-824802-28	5.118	.874	.157	5.709	1.375	2.185	2.752	.169	
71-581197/199		NOT AVAILABLE												

SEE NOTE 12

TO COMPLETE, ADD APPLICABLE INSERT ARRANGEMENT SUFFIX PER 9-2437

WIRE WELL DATA					
CONTACT SIZE	0	4	8	12	16
WELL DIA	.453±.005	.281 +.005 -.004	.179 +.004 -.002	.098 +.004 -.001	.063 +.004 -.001
WELL DEPTH	+.031 -.000	.592	.500	.500	.250

BLACK INK STAMP PER 9-3856-5
"BENDIX", GT NUMBER (SEE COLUMN)
& DATE CODE (9-3895).
CHARACTERS TO BE .094-.125 HIGH.
AND LOCATED APPROX AS SHOWN
EXAMPLE:
BENDIX GTC00F24-12P 8946



VIEW AT Z

7. FOR MATING CONNECTOR ASSEMBLIES, SEE 71-580450/469 & OTHERS.
6. SEE WORK ORDER FOR PERMISSIBLE ADDITIONAL OR ALTERNATE STAMPING.
5. PROCESS SPEC:
ASSY 9-9238
TEST 9-3106-18
9-3856-5, 9-3895, 9-2437, 9-1936
4. INSERTS ARE NOT REMOVABLE.
3. DRAWING ILLUSTRATES FINAL ASSEMBLY. FOR STORAGE & SHIPPING, ADAPTER, CLAMP AND SLEEVE MUST BE LOOSELY COUPLED.
2. FOR CONTACT SIZE, SPACING & SERVICE RATING, SEE MIL-STD-1651 OR L-11908-()/L-11948-().
1. UNITS MEET THE APPLICABLE REQUIREMENTS OF MIL-C-5015.
14. INDICATED ITEMS, F/N'S 3, 4 & 5, ARE APPLICABLE TO CONNECTORS CONTAINING CONTACT ARRANGEMENTS OTHER THAN THOSE SPECIFIED IN NOTE 13.
13. INDICATED ITEMS, F/N'S 8, 9 & 10 ARE APPLICABLE TO CONNECTORS CONTAINING CONTACT ARRANGEMENTS WITH SIZE '4' & '8'.
12. TO COMPLETE INDICATED GROMMET PART NO., ADD APPLICABLE ARRANGEMENT SUFFIX.
11. CONTACTS ARE SHIPPED UNASSEMBLED, FOR FINAL INSTALLATION CONTACTS MUST BE ASSEMBLED INTO ALL INSERT HOLES. ALL UNUSED GROMMET HOLES MUST BE FILLED WITH APPROPRIATE SEALING PLUG.
10. PACKAGE PER PRODUCTION PROCESS SHEET.
9. SEE SEPARATE PARTS LIST FOR COMPONENT PART NUMBERS AND QUANTITIES.
8. APPLY A LIGHT FILM OF LUBRICANT 9-1936 TO GASKET.

NOTES:

THE USE OF THIS DOCUMENT IS UNLIMITED. HOWEVER, DOCUMENTS REFERENCED HEREON MAY CONTAIN LIMITED RIGHTS DATA.

SIZE	FROM NO	71-581180/199	REV	D
SCALE	WT	REF	SHEET	2

X-ON Electronics

Largest Supplier of Electrical and Electronic Components

Click to view similar products for [Circular MIL Spec Connector](#) category:

Click to view products by [Amphenol](#) manufacturer:

Other Similar products are found below :

[0025-262-542](#) [0025-264-3014](#) [58-570121-04S](#) [0134-202-1200](#) [0134-207-1206](#) [0134-207-1800](#) [0134-207-2207](#) [0134-213-0806](#) [0134-213-1007](#) [0134-213-1009](#) [0134-213-1208](#) [0134-213-1800](#) [0134-213-2209](#) [0025-258-000](#) [015-9516-002](#) [60-042722-19P](#) [0114-201-1278](#) [602GB06EG24-61SN](#) [0134-201-1207](#) [0134-201-1806](#) [0134-201-2006](#) [0134-201-2007](#) [0134-201-2010](#) [0134-202-1400](#) [0134-207-0809](#) [0134-207-1208](#) [0134-207-2009](#) [0134-213-1006](#) [6104-207-2302](#) [6104-208-1902](#) [6131-202-19149P](#) [6131-204-21149P](#) [6131-207-13149P](#) [6131-208-13149P](#) [6131-209-17149P](#) [6131-210-11149P](#) [6131-211-19149P](#) [6131-216-19149P](#) [6131-220-25149P](#) [6131-259-11149P](#) [6131-259-21149P](#) [6131-259-23149P](#) [6131-263-19149P](#) [6131-265-17149P](#) [6131-265-19149P](#) [CS3102A-20-15P](#) [CS3102A-20-15S](#) [CS3102C18-4P-472](#) [CS3106A-20-29P](#) [CS3106A-20-74P](#)