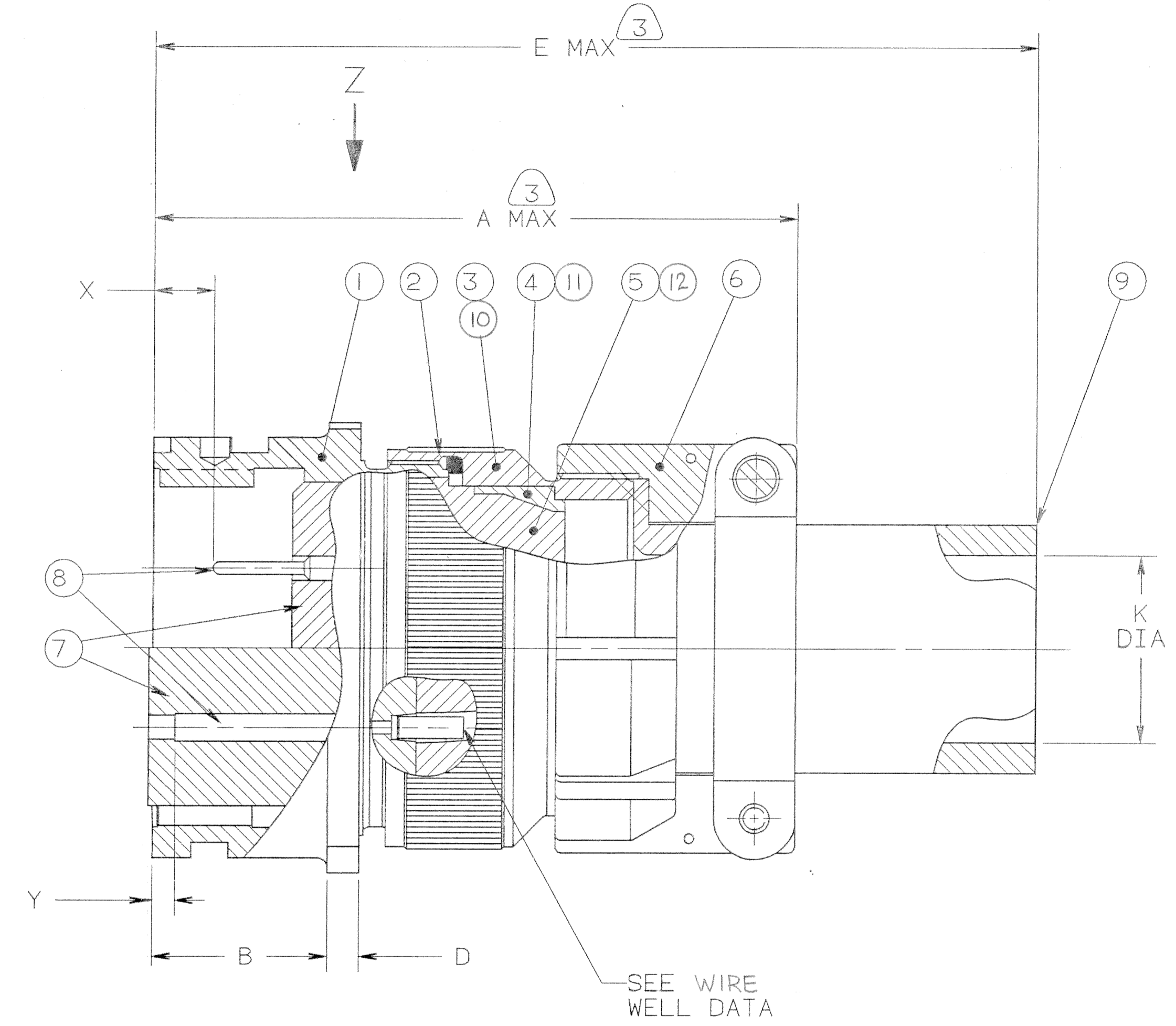
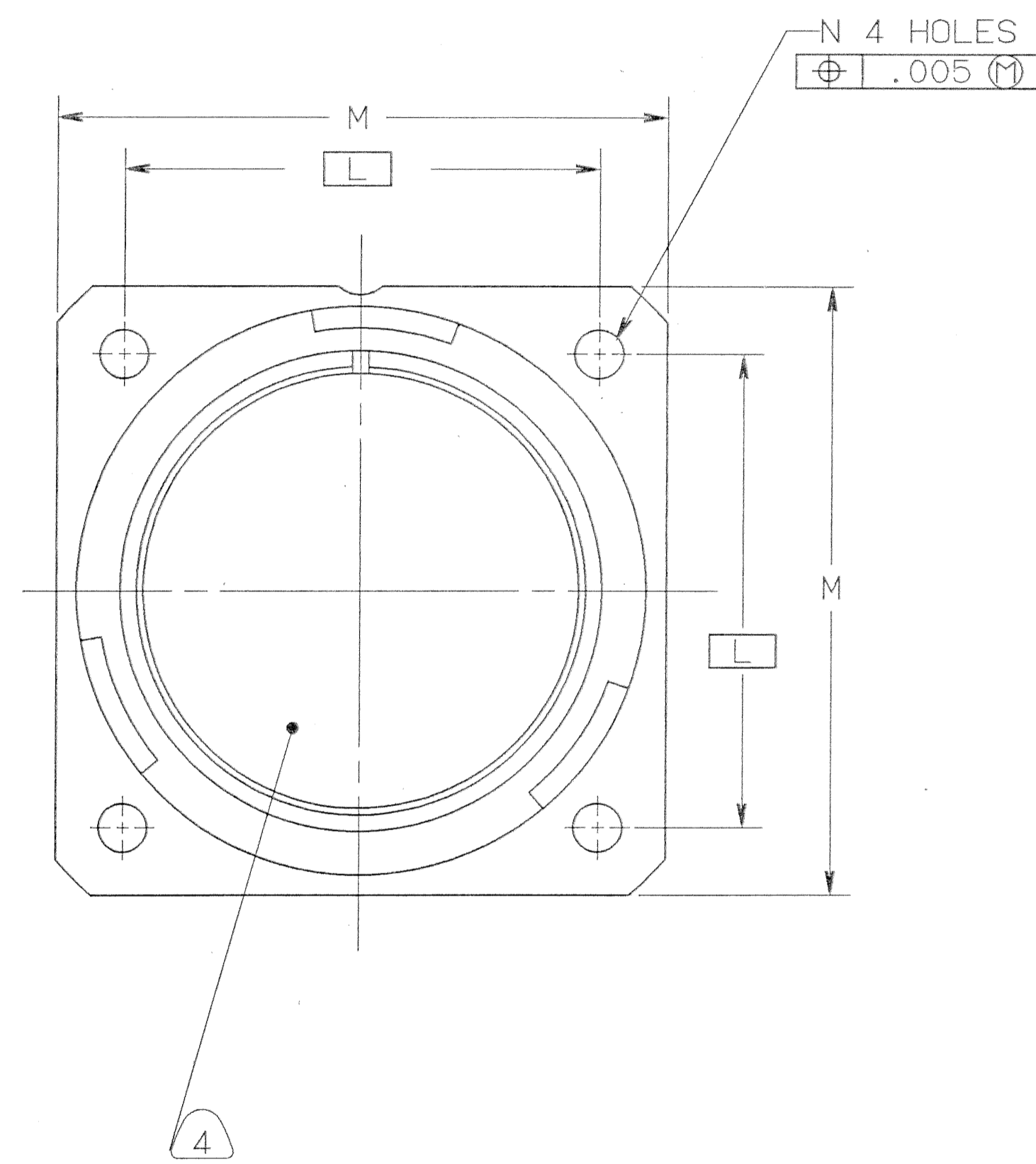


CONTACT SIZE	SHELL SIZE	X	Y ±.040
16 SHORT	10SL, 14S, 16S	.087±.039	.079
16 LONG	14, 16, THRU 40	.260±.052	.102
12	14, 16, THRU 40	.118±.039	.102
4,8,0	14, 16, THRU 40	.091±.039	.102

REVISIONS				
ZONE	LTR	DESCRIPTION	DATE	APPROVED
A		INITIAL RELEASE NUM: 70022-1935		
B		(CLII) SEE ECN 27939	7-21-93 Prescott	Prescott
C		(CLII) REM "O" NOTE 13, WAS .750" O" WELL DEPTH ECN: 28347	12-22-97 Sawyer	Prescott
D		(CLII) SEE CHG NOTICE ECN: 86876	7-26-99 Prescott	Prescott



QTY	DESCRIPTION	REF.
12	SEE COLUMN	12,13
11	10-581819-XX1	13
10	10-581821-XX3	3,13
9	SEE COLUMN	
8	SEE NOTE 10	3
7	10-748XX-XXX	
6	SEE COLUMN	
5	10-607XX-XX	14
4	10-564869-XX	14
3	10-564867-XX3	14,3
2	10-101379-XX1	8
1	SEE COLUMN	

SEE SHEET 2
NOTES:

THE USE OF THIS DOCUMENT IS UNLIMITED. HOWEVER, DOCUMENTS REFERENCED HEREON MAY CONTAIN LIMITED RIGHTS DATA.

COMPANY ID: 2
 CODED/MS/CUST: Y
 INTERNAL: N
 LOTNO: N
 DATE CODE: 9-3895
 SEE PRINT: N

UNLESS OTHERWISE SPECIFIED
 LINEAR DIMENSIONS ARE IN INCHES.
 TOLERANCES: .XXX±.010,
 .XX ±.03, .X ±.1, ANGLES ±2°.
 OTHER STANDARDS PER 9-3800
 AND DOD-D-1000. NOTE REF= XX

FIND NO.	QTY REQD.	FSCM NO.	PART NUMBER	DESCRIPTION	NOTE REF.
PARTS LIST					
SPECIFICATIONS					
MATERIAL SPEC. N/A					
PROCESS SPEC. SEE NOTE 5					
PREPARED: <i>Prescott</i> 6/3/92 CHECKED: <i>Prescott</i> 4/5/92 MATERIAL: <i>Prescott</i> 4/5/92 APPROVED: <i>Prescott</i> 4/5/92 APPROVED: <i>Prescott</i> 6/5/92					
AMPHENOL CORPORATION BENDIX CONNECTOR OPERATIONS SIDNEY, N.Y.					
CONNECTOR, ELECTRICAL RECEPTACLE, FRONT PANEL MOUNT, REVERSE BAYONET COUPLING, TYPE GTC00F(1)-(1)					
SIZE: D 77820 71-581180/199 SCALE: NONE WT. REF: 71-580580/589 SHEET 1 OF 2					

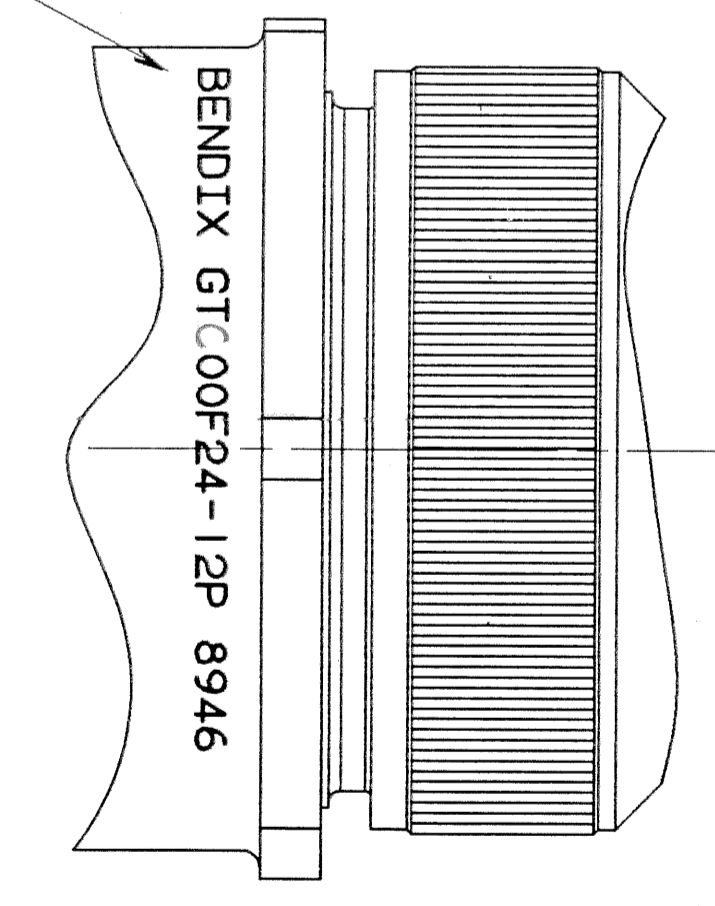
ASSEMBLY NUMBER	SHELL SIZE	GT NUMBER	SHELL	CLAMP ASSY	SLEEVE	A MAX	B +.016 -.000	D ±.008	E MAX	K MIN	L ±.012	M ±.012	N DIA +.004 -.000	GROMMET
71-581180-()	8S	NOT AVAILABLE												
71-581181-()	10S	NOT AVAILABLE												
71-581182-()	10SL	GTC00F10SL-()	10-580920-113	10-824810-4	10-824802-4	2.362	.559	.110	4.720	.218	.717	1.000	.126	10-581825-()
71-581183-()	12S	NOT AVAILABLE												
71-581184-()	12	NOT AVAILABLE												
71-581185-()	14S	GTC00F14S-()	10-580920-143	10-824810-7	10-824802-6	2.440	.559	.126	4.720	.310	.906	1.181	.126	10-581827-()
71-581186-()	14	NOT AVAILABLE												
71-581187-()	16S	GTC00F16S-()	10-580920-163	10-824810-8	10-824802-8	2.756	.559	.126	4.720	.435	.969	1.280	.126	10-581829-()
71-581188-()	16	GTC00F16-()	10-580920-173	10-824810-8	10-824802-8	2.756	.748	.126	4.921	.435	.969	1.280	.126	10-581830-()
71-581189-()	18	GTC00F18-()	10-580920-183	10-824810-10	10-824802-10	3.031	.748	.157	4.921	.560	1.063	1.378	.126	10-581831-()
71-581190-()	20	GTC00F20-()	10-580920-203	10-824810-12	10-824802-12	3.031	.748		4.921	.623	1.157	1.496	.126	10-581832-()
71-581191-()	22	GTC00F22-()	10-580920-223	10-824810-12	10-824802-12	3.031	.748		4.921	.623	1.252	1.614	.126	10-581833-()
71-581192-()	24	GTC00F24-()	10-580920-243	10-824810-16	10-824802-16	3.346	.811		4.921	.748	1.374	1.752	.146	10-581834-()
71-581193-()	28	GTC00F28-()	10-580920-283	10-824810-16	10-824802-16	3.346	.811		4.921	.748	1.563	2.000	.146	10-581835-()
71-581194-()	32	GTC00F32-()	10-580920-323	10-824810-20	10-824802-20	3.346	.874		4.921	.935	1.752	2.244	.169	10-581836-()
71-581195-()	36	GTC00F36-()	10-580920-363	10-824810-24	10-824802-24	4.133	.874		5.315	1.248	1.937	2.500	.169	10-581837-()
71-581196-()	40	GTC00F40-()	10-580920-403	10-824810-28	10-824802-28	5.118	.874	.157	5.709	1.375	2.185	2.752	.169	
71-581197/199		NOT AVAILABLE												

SEE NOTE 12

TO COMPLETE, ADD APPLICABLE INSERT ARRANGEMENT SUFFIX PER 9-2437

WIRE WELL DATA					
CONTACT SIZE	0	4	8	12	16
WELL DIA	.453±.005	.281 +.005 -.004	.179 +.004 -.002	.098 +.004 -.001	.063 +.004 -.001
WELL DEPTH	+.031 -.000	.592	.500	.500	.250

BLACK INK STAMP PER 9-3856-5
"BENDIX", GT NUMBER (SEE COLUMN)
& DATE CODE (9-3895).
CHARACTERS TO BE .094-.125 HIGH.
AND LOCATED APPROX AS SHOWN
EXAMPLE:
BENDIX GTC00F24-12P 8946



VIEW AT Z

- 7. FOR MATING CONNECTOR ASSEMBLIES, SEE 71-580450/469 & OTHERS.
- 6. SEE WORK ORDER FOR PERMISSIBLE ADDITIONAL OR ALTERNATE STAMPING.
- 5. PROCESS SPEC:
ASSY 9-9238
TEST 9-3106-18
9-3856-5, 9-3895, 9-2437, 9-1936
- 4. INSERTS ARE NOT REMOVABLE.
- 3. DRAWING ILLUSTRATES FINAL ASSEMBLY. FOR STORAGE & SHIPPING, ADAPTER, CLAMP AND SLEEVE MUST BE LOOSELY COUPLED.
- 2. FOR CONTACT SIZE, SPACING & SERVICE RATING, SEE MIL-STD-1651 OR L-11908-()/L-11948-().
- 1. UNITS MEET THE APPLICABLE REQUIREMENTS OF MIL-C-5015.
- 14. INDICATED ITEMS, F/N'S 3, 4 & 5, ARE APPLICABLE TO CONNECTORS CONTAINING CONTACT ARRANGEMENTS OTHER THAN THOSE SPECIFIED IN NOTE 13.
- 13. INDICATED ITEMS, F/N'S 8, 9 & 10 ARE APPLICABLE TO CONNECTORS CONTAINING CONTACT ARRANGEMENTS WITH SIZE '4' & '8'.
- 12. TO COMPLETE INDICATED GROMMET PART NO., ADD APPLICABLE ARRANGEMENT SUFFIX.
- 11. CONTACTS ARE SHIPPED UNASSEMBLED. FOR FINAL INSTALLATION CONTACTS MUST BE ASSEMBLED INTO ALL INSERT HOLES. ALL UNUSED GROMMET HOLES MUST BE FILLED WITH APPROPRIATE SEALING PLUG.
- 10. PACKAGE PER PRODUCTION PROCESS SHEET.
- 9. SEE SEPARATE PARTS LIST FOR COMPONENT PART NUMBERS AND QUANTITIES.
- 8. APPLY A LIGHT FILM OF LUBRICANT 9-1936 TO GASKET.

NOTES:

THE USE OF THIS DOCUMENT IS UNLIMITED. HOWEVER, DOCUMENTS REFERENCED HEREON MAY CONTAIN LIMITED RIGHTS DATA.

SIZE	FROM NO	71-581180/199	REV	D
D	77820			
SCALE	WT	REF	SHEET	2

X-ON Electronics

Largest Supplier of Electrical and Electronic Components

Click to view similar products for [Circular MIL Spec Connector](#) category:

Click to view products by [Amphenol](#) manufacturer:

Other Similar products are found below :

[89075GULPR](#) [0025-262-542](#) [0025-264-3014](#) [58-570121-04S](#) [0134-213-1208](#) [0134-213-2209](#) [0025-258-000](#) [60-042022-07P](#) [60-042022-19P](#)
[60-042022-23P](#) [60-042217-10P](#) [0114-201-1278](#) [012-0467-000](#) [602GB06EG24-61SN](#) [0134-201-1207](#) [0134-213-1006](#) [6104-207-2302](#) [6104-](#)
[208-1902](#) [61-168211-04P](#) [61-168617-10P](#) [6131-202-19149P](#) [6131-204-21149P](#) [6131-208-13149P](#) [6131-209-17149P](#) [6131-210-11149P](#) [6131-](#)
[211-19149P](#) [6131-216-19149P](#) [6131-259-21149P](#) [6131-259-23149P](#) [6131-265-17149P](#) [6131-265-19149P](#) [CS3100A18-1P-472](#) [CS3100A-36-](#)
[77P](#) [CS3101A-16-55P](#) [CS3102A-10SL-55P](#) [CS3102A-14S-58P](#) [CS3102A-32-17P](#) [CS3102A32-25S](#) [CS3102C18-4P-472](#)
[CS3106A10SL3S004](#) [CS3106A-18-73S](#) [CS3108A-14S-52S](#) [CS3108A-28-51S](#) [6162-233-1277](#) [6162-324-1231](#) [M243082296Z](#)
[M2884010AC1S1](#) [CT0-24-10SC](#) [CT0M20-7PCAU](#) [M28840/17AC1G3](#)