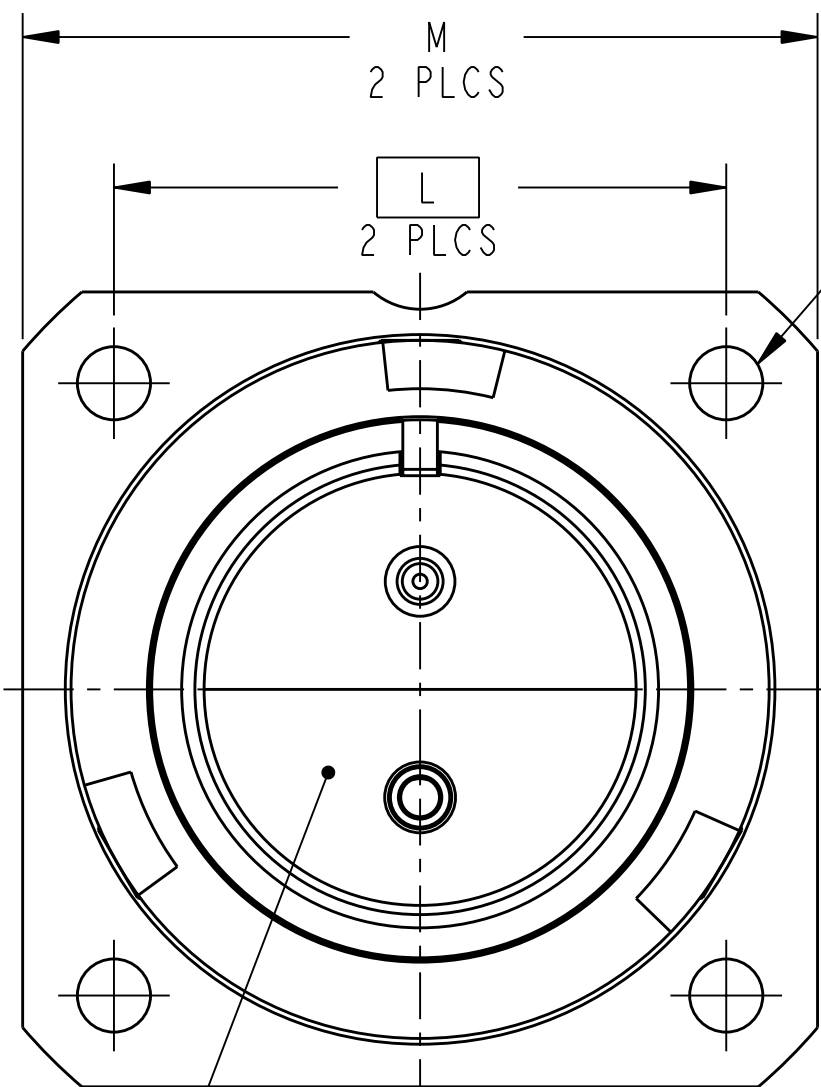
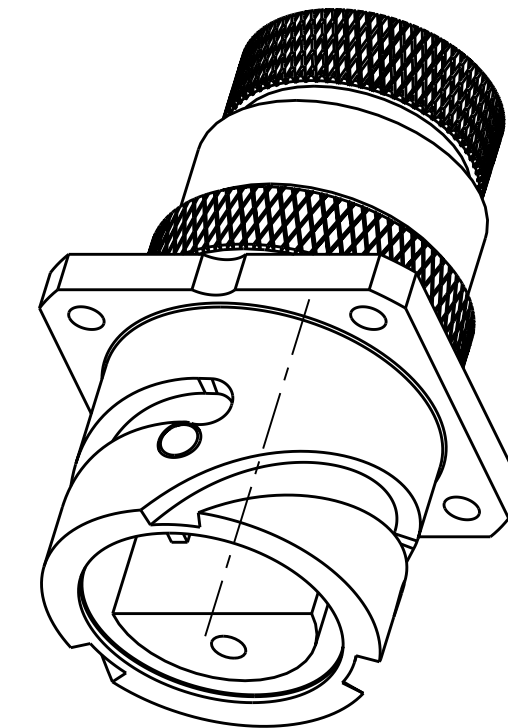


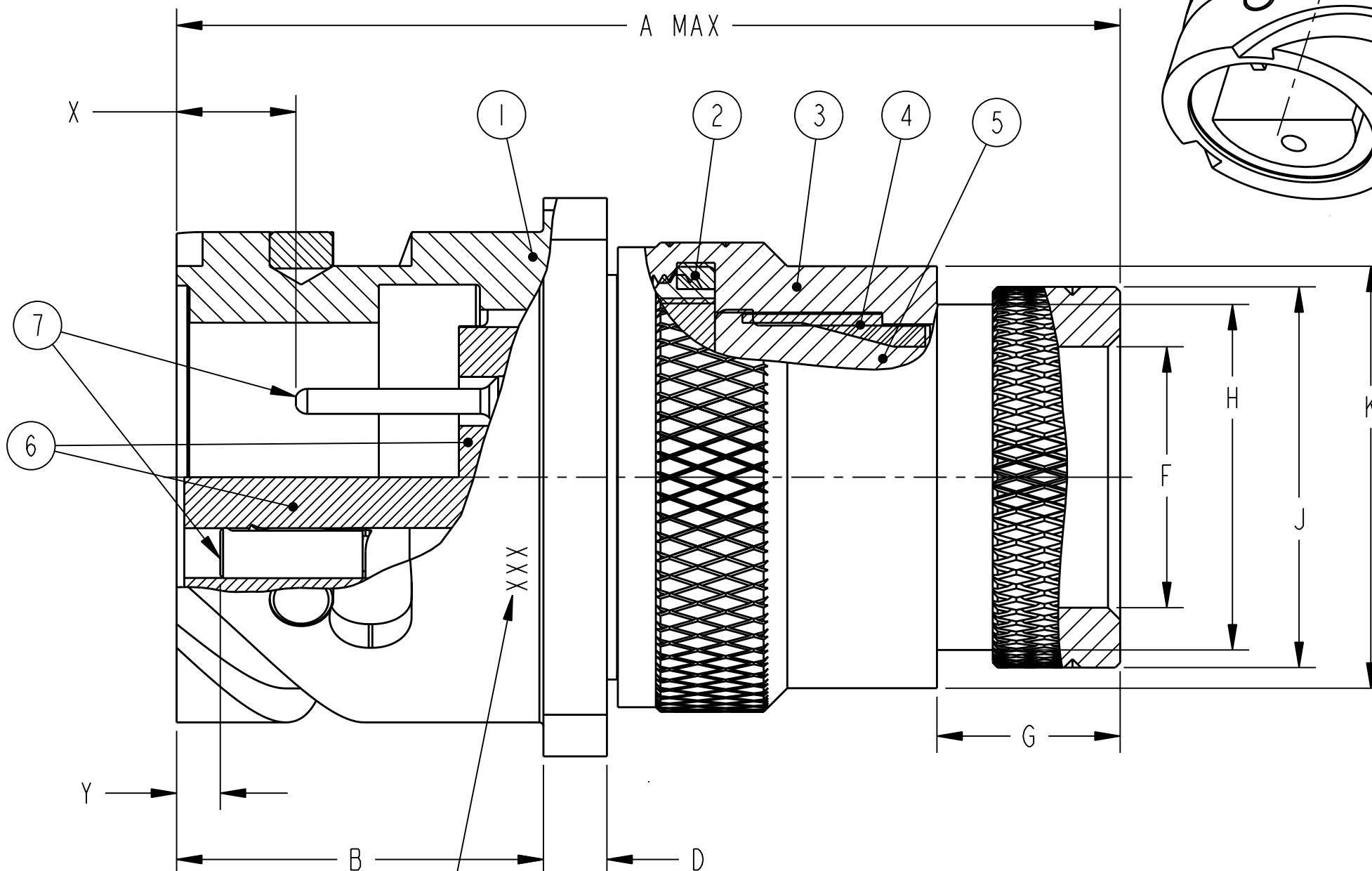
CONTACT SIZE	SHELL SIZE	X	Y ±.040
16 SHORT	10SL, 14S, 16S	.087±.039	.079
16 LONG	16 THRU 40	.260 ^{+.052} -.041	.102
12	16 THRU 40	.118 ^{+.039} -.056	.102
0, 4, 8	16 THRU 40	.091±.039	.102

WIRE WELL DATA					
CONTACT SIZE	0	4	8	12	16
WELL DIA	.453±.005	.281 ^{+.005} -.004	.179 ^{+.004} -.002	.098 ^{+.004} -.001	.063 ^{+.004} -.001
WELL DEPTH ^{+.031} -.000	.592	.500	.500	.250	.250

REVISIONS			
LTR	DESCRIPTION	DATE	APPVD
B	(CL11)SEE CHANGE NOTICE ECN:91738	2-24-03 PRESCOTT	



Ø N 4 HOLES
Ø .005(M)



SEE NOTE 2 & 4

BLACK INK STAMP "AMPHENOL", GT NUMBER
(SEE COLUMN) AND DATE CODE (9-3895)
APPROX .125 HIGH PER 9-3856-5.
EXAMPLE:
AMPHENOL GTC00G18-21S 8944

POS	QTY	PART NUMBER	DESCRIPTION	NOTE
7		SEE NOTE 10	CONTACT	2, 3, 8
6	1	10-748XX-()	INSERT	4
5	1	10-607XX-()	GROMMET	
4	1	10-564869-XX	SLEEVE	
3	1	10-564846-XX3	ADAPTER	
2	1	10-101379-XX1	GASKET	
1	1	SEE COLUMN	SHELL	

SEE SHEET 2

NOTES:

THE USE OF THIS DOCUMENT IS UNLIMITED.
HOWEVER, DOCUMENTS REFERENCED HEREON
MAY CONTAIN LIMITED RIGHTS DATA.

COMPANY ID: 4	CODED/MS/CUST: Y	N/A
INTERNAL: N	LOT NO: N	
DATE CODE: 9-3895	SEE DRAW: Y	N/A
STAMPING DATA		NEXT ASSEMBLY

UNLESS OTHERWISE SPECIFIED	SPECIFICATIONS	PARTS LIST			
LINEAR DIMENSIONS ARE IN INCHES TOLERANCES: .XXXX = ±.0005 .XXX = ±.010 .XX = ±.03 .X = ±.1 ANGLES = ±2° OTHER STANDARDS PER 9-3800 AND DOD-D-1000 THIRD ANGLE PROJECTION	MATERIAL SPEC.	APPROVALS		DATE	
	N/A	PREPARED	D. MARSHALL	20-Aug-98	
		CHECKED	A. PRESCOTT	10/28/98	
		MATERIAL	N/A RB		10/28/98
	PROCESS SPEC.	APPROVED	D. MARSHALL	10/28/98	
	SEE NOTE 5	APPROVED	R. BARNES	10/28/98	
		PRO/ENG INFORMATION GTC00G.ASSEM 71-586420_439		SIZE	C
				FSCM NO.	77820
				DOCUMENT NO.	71-586420/439
				REV.	B
				SCALE: 3.0	REF: 71-603200/219
				SHEET 1 OF 2	

FAMCODES DATA3: GTCBNS CICS:

ASSEMBLY NUMBER	SHELL SIZE	GT NUMBER	SHELL	A MAX	B +.016 -.000	D ±.008	ØF MIN	G ±.020	ØH MAX	ØJ ±.008	ØK ±.008	L	M ±.012	ØN +.004 -.000
71-586420-()	8S													
71-586421-()	10S													
71-586422-()	10SL	GTC00G10SL-()	10-580920-113	1.969	.559	.110	.303	.461	.524	.610	.669	.717	1.000	.126
71-586423-()	12S													
71-586424-()	12													
71-586425-()	14S	GTC00G14S-()	10-580920-143	1.969	.559	.126	.417	.461	.669	.752	.791	.906	1.181	.126
71-586426-()	14													
71-586427-()	16S	GTC00G16S-()	10-580920-163	1.969	.559	.126	.531	.461	.862	.941	.925	.969	1.280	.126
71-586428-()	16	GTC00G16-()	10-580920-173	2.362	.748	.126	.531	.453	.862	.941	.925	.969	1.280	.126
71-586429-()	18	GTC00G18-()	10-580920-183	2.362	.748	.157	.637	.453	.862	.941	1.043	1.063	1.378	.126
71-586430-()	20	GTC00G20-()	10-580920-203	2.559	.748	.157	.736	.500	1.031	1.165	1.189	1.157	1.496	.126
71-586431-()	22	GTC00G22-()	10-580920-223	2.559	.748	.157	.877	.500	1.031	1.165	1.323	1.252	1.614	.126
71-586432-()	24	GTC00G24-()	10-580920-243	2.559	.811	.157	.969	.500	1.358	1.488	1.421	1.374	1.752	.146
71-586433-()	28	GTC00G28-()	10-580920-283	2.559	.811	.157	1.094	.500	1.358	1.488	1.630	1.563	2.000	.146
71-586434-()	32	GTC00G32-()	10-580920-323	2.756	.874	.157	1.392	.598	1.717	1.882	1.913	1.752	2.244	.169
71-586435-()	36	GTC00G36-()	10-580920-363	3.150	.874	.157	1.539	.598	1.717	1.882	2.157	1.937	2.500	.169
71-586436-()	40	GTC00G40-()	10-580920-403	3.150	.874	.157	1.898	.610	2.071	2.276	2.402	2.185	2.752	.169
71-586437/439														

TO COMPLETE ADD APPLICABLE INSERT ARRANGEMENT SUFFIX PER 9-2437.

6. SEE WORK ORDER FOR PERMISSIBLE ADDITIONAL OR ALTERNATE STAMPING.

5. PROCESS SPEC:
 ASSY 9-9238
 TEST 9-3106-18
 9-3856-5, 9-3895, 9-2437, 9-1936

4. INSERTS ARE NOT REMOVABLE.

3. DRAWING ILLUSTRATES FINAL ASSEMBLY. FOR STORAGE & SHIPPING ADAPTER MUST BE LOOSELY COUPLED. CONTACTS ARE SHIPPED UNASSEMBLED.

2. FOR CONTACT SIZE, SPACING & SERVICE RATING SEE MIL-STD-1651 OR L-11908-()/L-11948-().

1. UNIT MEETS THE APPLICABLE REQUIREMENTS OF MIL-C-5015.

11. PACKAGE PER PRODUCTION PROCESS SHEET.

10. SEE SEPARATE PARTS LIST FOR COMPONENT PART NUMBERS AND QUANTITIES.

9. APPLY A LIGHT FILM OF LUBRICANT 9-1936 TO GASKET

8. FOR FINAL INSTALLATION, CONTACTS MUST BE ASSEMBLED INTO ALL INSERT HOLES. ALL UNUSED GROMMET HOLES MUST BE FILLED WITH THE APPROPRIATE SIZE SEALING PLUG.

7. FOR MATING CONNECTOR ASSEMBLIES, SEE 71-580450/469 & OTHERS

NOTES

THE USE OF THIS DOCUMENT IS UNLIMITED. HOWEVER, DOCUMENTS REFERENCED HEREON MAY CONTAIN LIMITED RIGHTS DATA.

SIZE C	FSCM NO. 77820	DOCUMENT NO. 71-586420/439	REV. B
SCALE: 3.0		REF: 71-603200/219	SHEET 2 OF 2

71-586420/439 2 OF 2

X-ON Electronics

Largest Supplier of Electrical and Electronic Components

Click to view similar products for [Circular MIL Spec Connector](#) category:

Click to view products by [Amphenol](#) manufacturer:

Other Similar products are found below :

[89075GULPR](#) [0025-262-542](#) [0025-264-3014](#) [58-570121-04S](#) [0134-213-1208](#) [0134-213-2209](#) [0025-258-000](#) [60-042022-07P](#) [60-042022-19P](#)
[60-042022-23P](#) [60-042217-10P](#) [0114-201-1278](#) [012-0467-000](#) [602GB06EG24-61SN](#) [0134-201-1207](#) [0134-213-1006](#) [6104-207-2302](#) [6104-](#)
[208-1902](#) [61-168211-04P](#) [61-168617-10P](#) [6131-202-19149P](#) [6131-204-21149P](#) [6131-208-13149P](#) [6131-209-17149P](#) [6131-210-11149P](#) [6131-](#)
[211-19149P](#) [6131-216-19149P](#) [6131-259-21149P](#) [6131-259-23149P](#) [6131-265-17149P](#) [6131-265-19149P](#) [CS3100A18-1P-472](#) [CS3100A-36-](#)
[77P](#) [CS3101A-16-55P](#) [CS3102A-10SL-55P](#) [CS3102A-14S-58P](#) [CS3102A-32-17P](#) [CS3102A32-25S](#) [CS3102C18-4P-472](#)
[CS3106A10SL3S004](#) [CS3106A-18-73S](#) [CS3108A-14S-52S](#) [CS3108A-28-51S](#) [6162-233-1277](#) [6162-324-1231](#) [M243082296Z](#)
[M2884010AC1S1](#) [CT0-24-10SC](#) [CT0M20-7PCAU](#) [M28840/17AC1G3](#)