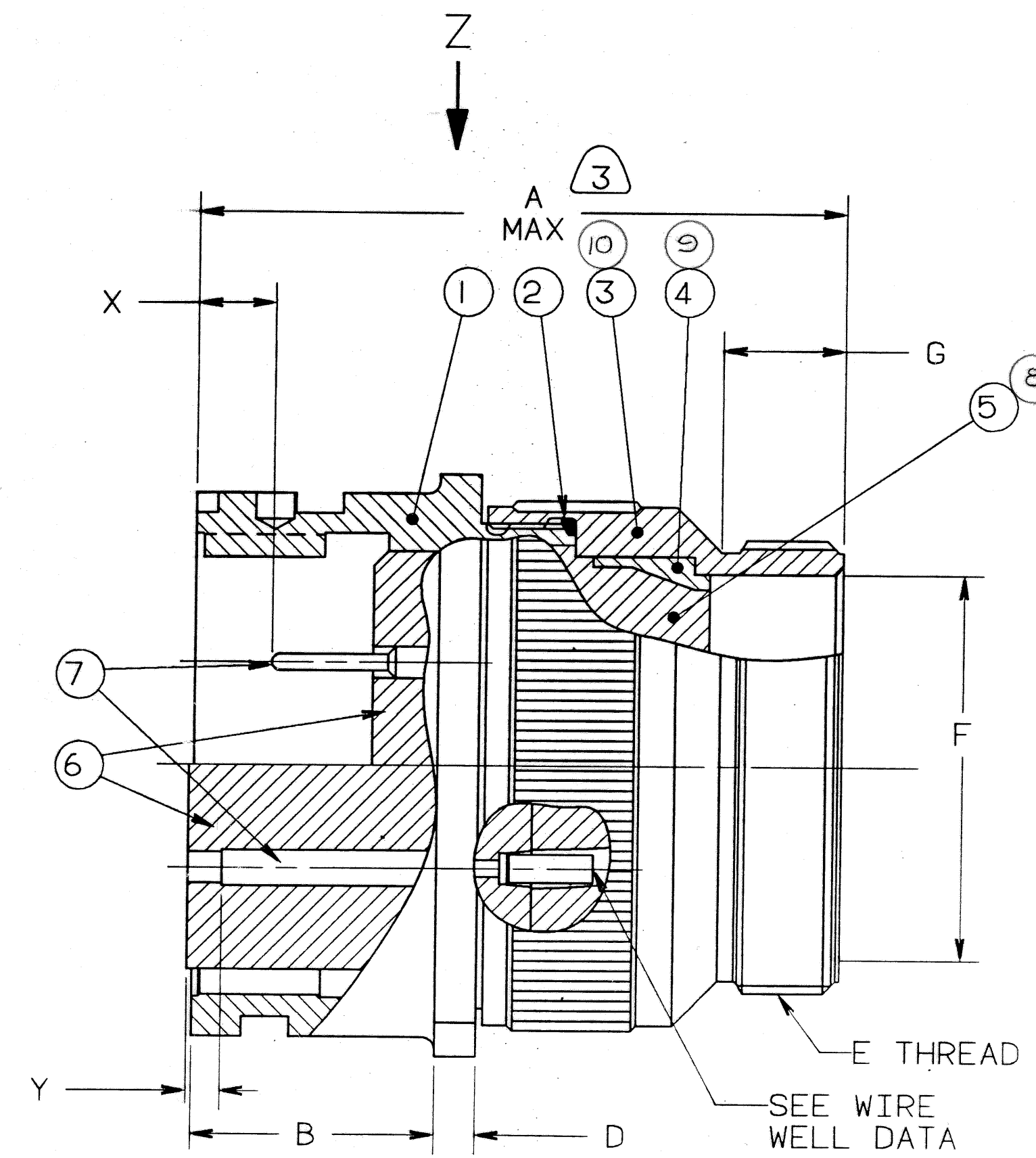
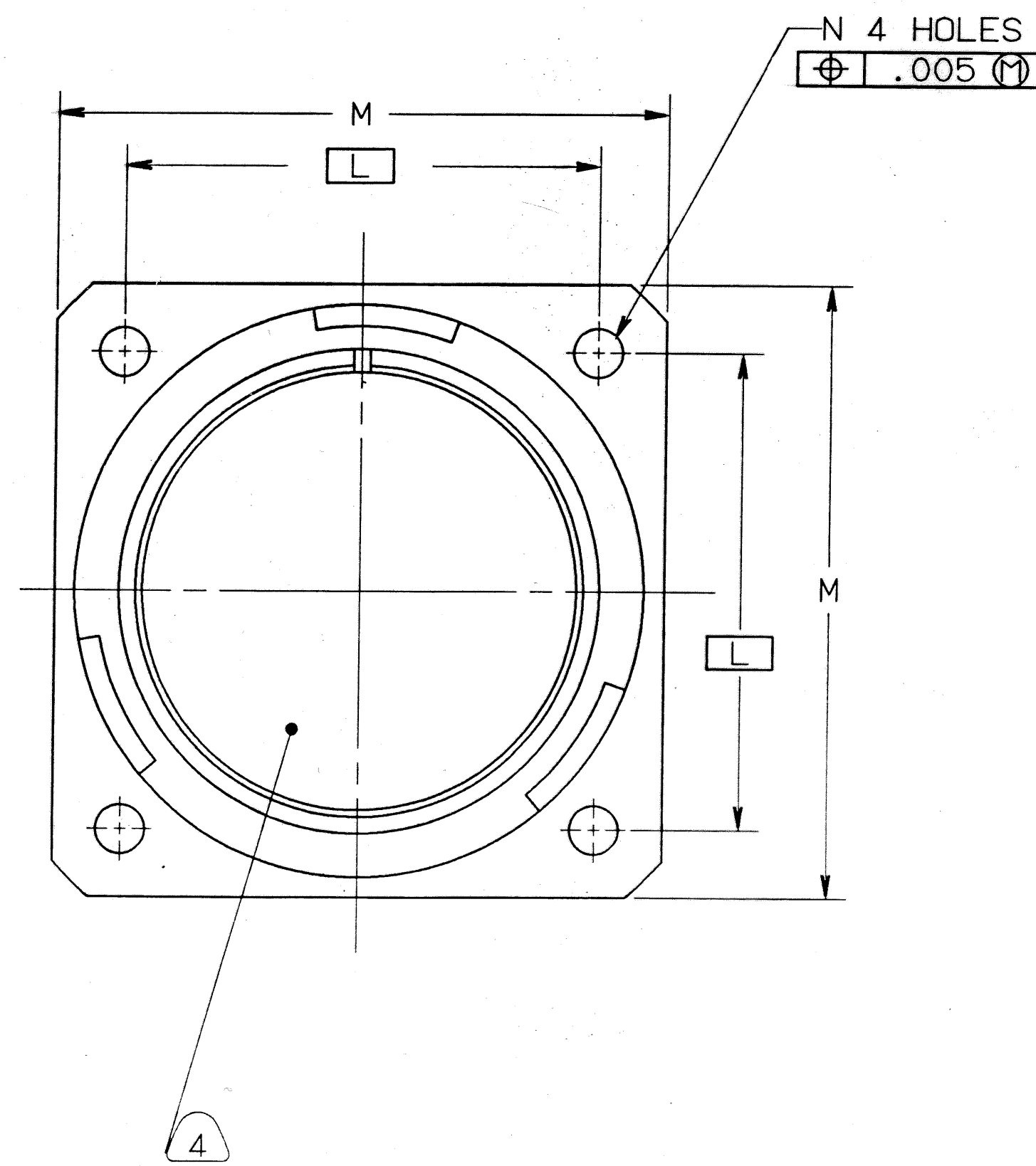


CONTACT SIZE	SHELL SIZE	X	Y ±.040
16 SHORT	10SL, 14S, 16S	.087±.039	.079
16 LONG	14, 16, THRU 40	.260 <sup>+</sup> .052 -.041	.102
12	14, 16, THRU 40	.118 <sup>+</sup> .039 -.056	.102
4,8,0	14, 16, THRU 40	.091±.039	.102

		REVISIONS		DATE	APPROVED
ZONE	LTR	DESCRIPTION			
	A	INITIAL RELEASE NUM: 70093-443			
	B	(CL II) SEE CHG NOTICE ECN: 28358		6/7/94 Prescott	P J ED
	C	(CL II) SEE ECN: 95006 FOR CHANGED DETAILS		7/9/04 A.B. Warburton	



10	1		10-581821-XX3	ADAPTER	3,13
9	1		10-581819-XX1	SLEEVE	13
8	1		SEE COLUMN	GROMMET	13,12
7		SEE NOTE 10		CONTACT	
6	1		10-748XX-XXX	INSERT	
5	1		10-607XX-XX	GROMMET	14,3
4	1		10-564869-XX	SLEEVE	14
3	1		10-564867-XX3	ADAPTER	14,3
2	1		10-101379-XX1	GASKET	9
1	1		SEE COLUMN	SHELL	

SEE SHEET 2  
NOTES:

THE USE OF THIS DOCUMENT IS UNLIMITED. HOWEVER, DOCUMENTS REFERENCED HEREON MAY CONTAIN LIMITED RIGHTS DATA.

COMPANY ID: 2  
CODED/MS/CUST: Y  
INTERNAL: N  
LOTNO: N  
DATE CODE: 9-3895  
SEE PRINT: N

UNLESS OTHERWISE SPECIFIED  
LINEAR DIMENSIONS ARE IN INCHES.  
TOLERANCES: .XXX±.010,  
.XX ±.03, .X ±.1, ANGLES ±2°.  
OTHER STANDARDS PER 9-3800  
AND DOD-D-1000. NOTE REF = (XX)

FIND NO.	QTY RECD.	FSCM NO.	PART NUMBER	DESCRIPTION	NOTE REF.
PARTS LIST					
SPECIFICATIONS		SIGNATURES	DATES	AMPHENOL CORPORATION	
MATERIAL SPEC. N/A		PREPARED SNYDER	9-10-89	BENDIX CONNECTOR OPERATIONS SIDNEY, N.Y.	
PROCESS SPEC. SEE NOTE 5		CHECKED	9/14/89	CONNECTOR, ELECTRICAL RECEPTACLE, FRONT PANEL MOUNT, REVERSE BAYONET COUPLING TYPE GTCOOR (-) - (-), SOLDERLESS	
1ST PART NO. 71-581753-115		APPROVED	9/14/89	SIZE	FSCM NO.
NEXT ASSEMBLY		DATE	9/17/93	D 77820	71-581740/759
		SCALE	NONE	REF	N/A
				SHEET	1 OF 2

COMPUTER GENERATED DRAWING

00000001

01653

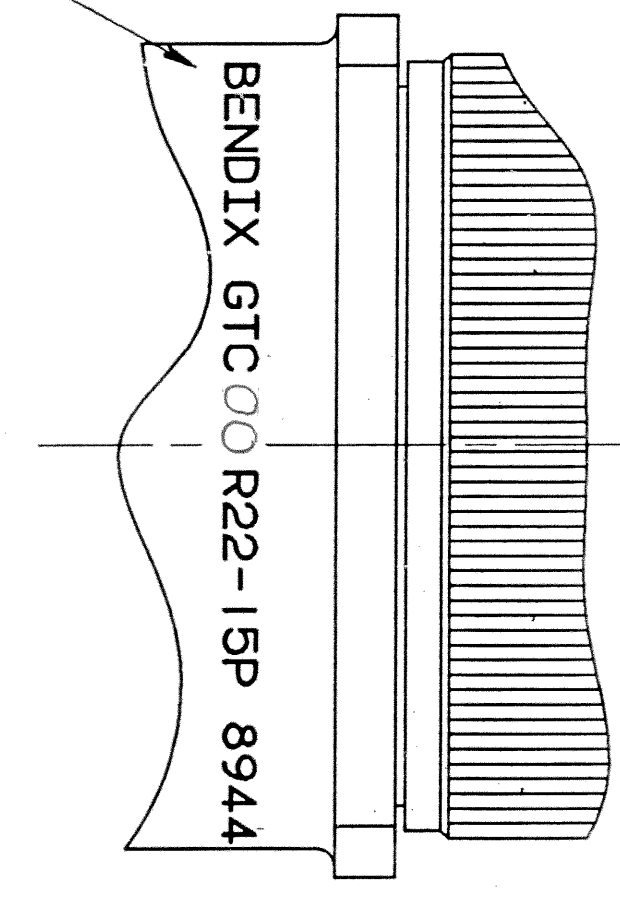
TAB.

ASSEMBLY NUMBER	SHELL SIZE	GT NUMBER	SHELL	A MAX	B +.016 -.000	D ±.008	E THREAD -2A	F DIA MIN	G MIN	L	M ±.012	N DIA +.004 -.000	GROMMET
71-581740-()	8S	NOT AVAILABLE											
71-581741-()	10S	NOT AVAILABLE											
71-581742-()	10SL	GTC00 R10SL-()	10-580920-113	1.969	.717	.110	.6250-24UNEF	.409	.374	.717	1.000	.126	10-581825-()
71-581743-()	12S	NOT AVAILABLE											
71-581744-()	12	NOT AVAILABLE											
71-581745-()	14S	GTC00 R14S-()	10-580920-143	1.969	.717	.126	.7500-20UNEF	.520	.374	.906	1.181	.126	10-581827-()
71-581746-()	14	NOT AVAILABLE											
71-581747-()	16S	GTC00 R16S-()	10-580920-163	1.969	.717	.126	.8750-20UNEF	.638	.374	.969	1.280	.126	10-581829-()
71-581748-()	16	GTC00 R16-()	10-580920-173	2.362	.846	.126	.8750-20UNEF	.638	.374	.969	1.280	.126	10-581830-()
71-581749-()	18	GTC00 R18-()	10-580920-183	2.362	.907	.157	1.0000-20UNEF	.756	.374	1.063	1.378	.126	10-581831-()
71-581750-()	20	GTC00 R20-()	10-580920-203	2.362	.907		1.1875-18UNEF	.866	.374	1.157	1.496	.126	10-581832-()
71-581751-()	22	GTC00 R22-()	10-580920-223	2.362	.907		1.1875-18UNEF	.965	.374	1.252	1.614	.126	10-581833-()
71-581752-()	24	GTC00 R24-()	10-580920-243	2.559	.907		1.4375-18UNEF	1.094	.374	1.374	1.752	.146	10-581834-()
71-581753-()	28	GTC00 R28-()	10-580920-283	2.559	.947		1.4375-18UNEF	1.228	.374	1.563	2.000	.146	10-581835-()
71-581754-()	32	GTC00 R32-()	10-580920-323	2.559	.947		1.7500-18UNS	1.488	.433	1.752	2.244	.169	10-581836-()
71-581755-()	36	GTC00 R36-()	10-580920-363	3.150	.947		2.0000-18UNS	1.780	.465	1.937	2.500	.169	10-581837-()
71-581756-()	40	GTC00 R40-()	10-580920-403	3.150	.947		2.2500-16UN	2.016	.465	2.185	2.752	.169	10-581838-()
71-581757/759		NOT AVAILABLE											

TO COMPLETE, ADD APPLICABLE INSERT ARRANGEMENT SUFFIX PER 9-2437

WIRE WELL DATA						
CONTACT SIZE	0	4	8	12	16	16M
WELL DIA	.453±.005	.281 +.005 -.004	.179 +.004 -.002	.098 +.004 -.000	.063 +.004 -.000	.063 +.004 -.000
WELL DEPTH	+.031 -.000	.592	.500	.500	.250	.250

BLACK INK STAMP PER 9-3856-5  
"BENDIX", GT NUMBER (SEE COLUMN)  
& DATE CODE (9-3895).  
CHARACTERS TO BE .094-.125 HIGH.  
AND LOCATED APPROX IN LINE  
WITH BLUE DOT ON SHELL  
EXAMPLE:  
BENDIX GTC00R22-15P 8944



7. FOR MATING CONNECTOR ASSEMBLIES, SEE 71-580450/469 & OTHERS.
6. SEE WORK ORDER FOR PERMISSIBLE ADDITIONAL OR ALTERNATE STAMPING.
5. PROCESS SPEC:  
ASSY 9-9238  
TEST 9-3106-18  
9-3856-5, 9-3895, 9-2437, 9-1936
4. INSERTS ARE NOT REMOVABLE.
3. DRAWING ILLUSTRATES FINAL ASSEMBLY. FOR STORAGE & SHIPPING, ADAPTER MUST BE LOOSELY COUPLED. CONTACTS ARE SHIPPED UNASSEMBLED.
2. FOR CONTACT SIZE, SPACING & SERVICE RATING, SEE MIL-STD-1651 OR L-11908-()/L-11948-().
1. UNITS MEET THE APPLICABLE REQUIREMENTS OF MIL-C-5015.
14. INDICATED ITEMS F/NS 3,4&5 ARE APPLICABLE TO CONNECTORS CONTAINING CONTACT ARRANGEMENTS OTHER THAN THOSE SPECIFIED IN NOTE 13.
13. INDICATED ITEMS F/NS 8,9&10 ARE APPLICABLE TO CONNECTORS CONTAINING CONTACT ARRANGEMENTS WITH SIZE 4&8.
12. TO COMPLETE INDICATED GROMMET PART NO. ADD APPLICABLE ARRANGEMENT SUFFIX.
11. PACKAGE PER PRODUCTION PROCESS SHEET.
10. SEE SEPARATE PARTS LIST FOR COMPONENT PART NUMBERS AND QUANTITIES.
9. APPLY A LIGHT FILM OF LUBRICANT 9-1936 TO GASKET.
8. FOR FINAL INSTALLATION, CONTACTS MUST BE ASSEMBLED INTO ALL INSERT HOLES. ALL UNUSED GROMMET HOLES MUST BE FILLED WITH THE APPROPRIATE SIZE SEALING PLUG.

NOTES:

THE USE OF THIS DOCUMENT IS UNLIMITED. HOWEVER, DOCUMENTS REFERENCED HEREON MAY CONTAIN LIMITED RIGHTS DATA.

SIZE	D	FORM NO	77820	REV	C
SCALE		REF	71-581740/759	SHEET	2

## X-ON Electronics

Largest Supplier of Electrical and Electronic Components

*Click to view similar products for [Circular MIL Spec Connector](#) category:*

*Click to view products by [Amphenol](#) manufacturer:*

Other Similar products are found below :

[89075GULPR](#) [0025-262-542](#) [0025-264-3014](#) [58-570121-04S](#) [0134-213-1208](#) [0134-213-2209](#) [0025-258-000](#) [60-042022-07P](#) [60-042022-19P](#)  
[60-042022-23P](#) [60-042217-10P](#) [0114-201-1278](#) [012-0467-000](#) [602GB06EG24-61SN](#) [0134-201-1207](#) [0134-213-1006](#) [6104-207-2302](#) [6104-](#)  
[208-1902](#) [61-168211-04P](#) [61-168617-10P](#) [6131-202-19149P](#) [6131-204-21149P](#) [6131-208-13149P](#) [6131-209-17149P](#) [6131-210-11149P](#) [6131-](#)  
[211-19149P](#) [6131-216-19149P](#) [6131-259-21149P](#) [6131-259-23149P](#) [6131-265-17149P](#) [6131-265-19149P](#) [CS3100A18-1P-472](#) [CS3100A-36-](#)  
[77P](#) [CS3101A-16-55P](#) [CS3102A-10SL-55P](#) [CS3102A-14S-58P](#) [CS3102A-32-17P](#) [CS3102A32-25S](#) [CS3102C18-4P-472](#)  
[CS3106A10SL3S004](#) [CS3106A-18-73S](#) [CS3108A-14S-52S](#) [CS3108A-28-51S](#) [6162-233-1277](#) [6162-324-1231](#) [M243082296Z](#)  
[M2884010AC1S1](#) [CT0-24-10SC](#) [CT0M20-7PCAU](#) [M28840/17AC1G3](#)