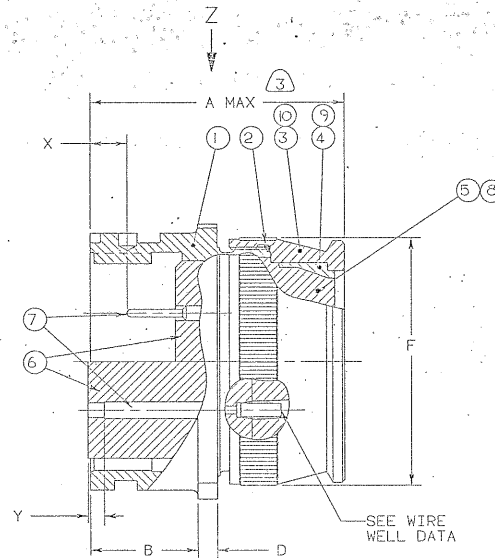
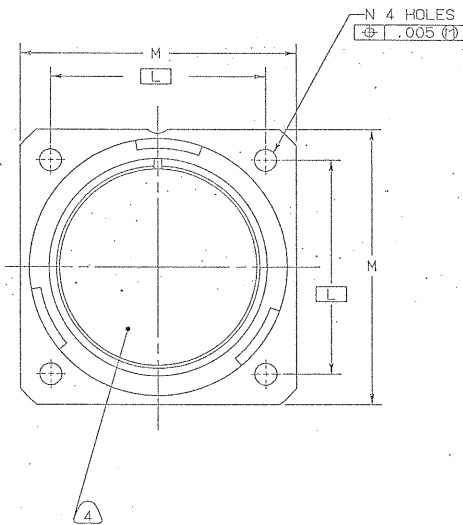


REVISIONS				
ZONE	LTR	DESCRIPTION	DATE	APPROVED
	A	INITIAL RELEASE NUM: 27 09 87		
	B	(CL) SEE CHG NOTICE ECN: 200379	12/19/91	[Signature]
	C	(CL) SEE ECN 270379	07/27/91	[Signature]
	D	(CL) SEE ECN: 26347	08/22/91	[Signature]

CONTACT SIZE	SHELL SIZE	X	Y ±.040
16 SHORT	10SL, 14S, 16S	.087±.039	.079
16 LONG	14, 16, THRU 40	.260 ^{+.052} _{-.041}	.102
12	14, 16, THRU 40	.118 ^{+.052} _{-.041}	.102
4,8,0	14, 16, THRU 40	.091±.039	.102



QTY	REQD.	PART NUMBER	DESCRIPTION	NOTES
10	1	10-581920-XX3	NUT	15
9	1	10-581919-XX1	SLEEVE	15
8	1	SEE COLUMN	GR0MMET	15
7		SEE NOTE 10	CONTACT	
6	1	10-748XX-XXX	INSERT	
5	1	10-607XX-XX	GR0MMET	14
4	1	10-564869-XX	SLEEVE	14
3	1	10-564868-XX3	NUT	14, 3
2	1	10-35399-XX1	GASKET	9
1	1	SEE COLUMN	SHELL	

SEE SHEET 2
NOTES:

THE USE OF THIS DOCUMENT IS UNLIMITED. HOWEVER, DOCUMENTS REFERENCED HEREON MAY CONTAIN LIMITED RIGHTS DATA.

COMPANY ID: 2
CODED/MS/CUST: Y
INTERNAL: N
LOTNO: N
DATE CODE: 9-3895
SEE PRINT: N

UNLESS OTHERWISE SPECIFIED
LINEAR DIMENSIONS ARE IN INCHES.
TOLERANCES: .XXX±.010,
.XX ±.03, .X ±.1, ANGLES ±2°.
OTHER STANDARDS PER 9-3800
AND DDD-D-1000. NOTE REF= (XX)

SPECIFICATIONS	SIGNATURES	DATES	DESCRIPTION
MATERIAL SPEC: N/A	[Signature]	11/12/91	APPROVED FOR BENDIX CONNECTOR OPERATIONS
PROCESS SPEC: SEE NOTE 5	[Signature]	11/12/91	SIRSEY, N.Y.
	[Signature]	11/12/91	CONNECTOR, ELECTRICAL RECEPTACLE, FRONT PANEL MOUNT, REVERSE BAYONET COUPLING, TYPE GTC00RV(1)-1, SOLDERLESS
	[Signature]	11/12/91	SIZE: 1.7820 INCHES
	[Signature]	11/12/91	REF PART NO: 71-580432-12P
	[Signature]	11/12/91	REF PART NO: 71-580470/489
	[Signature]	11/12/91	REF PART NO: 71-580960/975

COMPUTER GENERATED DRAWING

00000001

01453

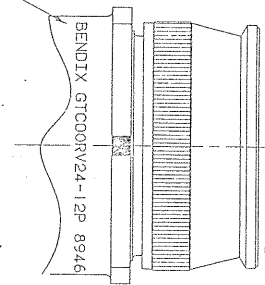
TAB.

ASSEMBLY NUMBER	SHELL SIZE	GT NUMBER	SHELL	5					4		3		2		1	
				A MAX	B +.016 -.000	D ±.008	F DIA MAX	L	M ±.012	N DIA +.004 -.000	GROMMET					
71-580470-()	8S	NOT AVAILABLE														
71-580471-()	10S	NOT AVAILABLE														
71-580472-()	10SL	GTC00RV10SL-()	10-580920-113	1.417	.559	.110	.787	.717	1.000	.126						
71-580473-()	12S	NOT AVAILABLE														
71-580474-()	12	NOT AVAILABLE														
71-580475-()	14S	GTC00RV14S-()	10-580920-143	1.437	.559	.126	.945	.906	1.181	.126						
71-580476-()	14	NOT AVAILABLE														
71-580477-()	16S	GTC00RV16S-()	10-580920-163	1.437	.559	.126	1.024	.969	1.280	.126						
71-580478-()	16	GTC00RV16-()	10-580920-173	1.929	.748	.126	1.024	.969	1.280	.126						
71-580479-()	18	GTC00RV18-()	10-580920-183	1.929	.748		1.161	1.063	1.378	.126						
71-580480-()	20	GTC00RV20-()	10-580920-203	1.969	.748		1.299	1.157	1.496	.126						
71-580481-()	22	GTC00RV22-()	10-580920-223	1.969	.748		1.417	1.252	1.614	.126						
71-580482-()	24	GTC00RV24-()	10-580920-243	2.008	.811		1.575	1.374	1.752	.146						
71-580483-()	28	GTC00RV28-()	10-580920-283	2.008	.811		1.811	1.563	2.000	.146						
71-580484-()	32	GTC00RV32-()	10-580920-323	2.087	.874		2.028	1.752	2.244	.169						
71-580485-()	36	GTC00RV36-()	10-580920-363	2.106	.874		2.283	1.937	2.500	.169						
71-580486-()	40	GTC00RV40-()	10-580920-403	2.126	.874		2.539	2.185	2.752	.169						
71-580487/489		NOT AVAILABLE														

TO COMPLETE, ADD APPLICABLE INSERT ARRANGEMENT SUFFIX PER 9-2437

WIRE WELL DATA					
CONTACT SIZE	0	4	8	12	16
WELL DIA	.453+.005	.281+.005 -.004	.179+.004 -.002	.098+.004 -.001	.063+.004 -.001
WELL DEPTH	+.031 -.000	.502	.500	.500	.250 .250

BLACK INK STAMP PER 9-3856-5
"BENDIX", GT NUMBER (SEE COLUMN)
& DATE CODE (9-3895).
CHARACTERS TO BE .094-.125 HIGH.
AND LOCATED APPROX AS SHOWN
EXAMPLE:
BENDIX GTC00RV24-12P 8946



VIEW AT Z

B

7. FOR MATING CONNECTOR ASSEMBLIES, SEE 71-580450/469 & OTHERS.

6. SEE WORK ORDER FOR PERMISSIBLE ADDITIONAL OR ALTERNATE STAMPING.

5. PROCESS SPEC:
ASSY 9-2238
TEST 9-3106-18
9-3856-5, 9-3895, 9-2437, 9-1936

4. INSERTS ARE NOT REMOVABLE.

3. DRAWING ILLUSTRATES FINAL ASSEMBLY. FOR STORAGE & SHIPPING, NUT MUST BE LOOSELY COUPLED. CONTACTS ARE SHIPPED UNASSEMBLED.

2. FOR CONTACT SIZE, SPACING & SERVICE RATINGS, SEE MIL-STD-1651 OR L-11908-()/L-11948-().

1. UNITS MEET THE APPLICABLE REQUIREMENTS OF MIL-C-5015.

14. INDICATED ITEMS, F/N'S 3, 4 & 5 ARE APPLICABLE TO CONNECTORS CONTAINING CONTACT ARRANGEMENTS OTHER THAN THOSE SPECIFIED IN NOTE 13.

13. INDICATED ITEMS, F/N'S 8, 9 & 10 ARE APPLICABLE TO CONNECTORS CONTAINING CONTACT ARRANGEMENTS WITH SIZES '4' & '8'.

12. TO COMPLETE INDICATED GROMMET PART NO., ADD APPLICABLE ARRANGEMENT SUFFIX.

11. PACKAGE PER PRODUCTION PROCESS SHEET.

10. SEE SEPARATE PARTS LIST FOR COMPONENT PART NUMBERS AND QUANTITIES.

9. APPLY A LIGHT FILM OF LUBRICANT 9-1936 TO GASKET.

8. FOR FINAL INSTALLATION, CONTACTS MUST BE ASSEMBLED INTO ALL INSERT HOLES. ALL UNUSED GROMMET HOLES MUST BE FILLED WITH THE APPROPRIATE SIZE SEALING PLUG.

NOTES:

THE USE OF THIS DOCUMENT IS UNLIMITED. HOWEVER, DOCUMENTS REFERENCED HEREON MAY CONTAIN LIMITED RIGHTS DATA.

COMPUTER GENERATED DRAWING

REV 1 8946 71-580470/489
D 177820
SCALE: 1:1
REV 2

X-ON Electronics

Largest Supplier of Electrical and Electronic Components

Click to view similar products for [Circular MIL Spec Connector](#) category:

Click to view products by [Amphenol](#) manufacturer:

Other Similar products are found below :

[89075GULPR](#) [0025-262-542](#) [0025-264-3014](#) [58-570121-04S](#) [0134-213-1208](#) [0134-213-2209](#) [0025-258-000](#) [60-042022-07P](#) [60-042022-19P](#)
[60-042022-23P](#) [60-042217-10P](#) [0114-201-1278](#) [012-0467-000](#) [602GB06EG24-61SN](#) [0134-201-1207](#) [0134-213-1006](#) [6104-207-2302](#) [6104-](#)
[208-1902](#) [61-168211-04P](#) [61-168617-10P](#) [6131-202-19149P](#) [6131-204-21149P](#) [6131-208-13149P](#) [6131-209-17149P](#) [6131-210-11149P](#) [6131-](#)
[211-19149P](#) [6131-216-19149P](#) [6131-259-21149P](#) [6131-259-23149P](#) [6131-265-17149P](#) [6131-265-19149P](#) [CS3100A18-1P-472](#) [CS3100A-36-](#)
[77P](#) [CS3101A-16-55P](#) [CS3102A-10SL-55P](#) [CS3102A-14S-58P](#) [CS3102A-32-17P](#) [CS3102A32-25S](#) [CS3102C18-4P-472](#)
[CS3106A10SL3S004](#) [CS3106A-18-73S](#) [CS3108A-14S-52S](#) [CS3108A-28-51S](#) [6162-233-1277](#) [6162-324-1231](#) [M243082296Z](#)
[M2884010AC1S1](#) [CT0-24-10SC](#) [CT0M20-7PCAU](#) [M28840/17AC1G3](#)