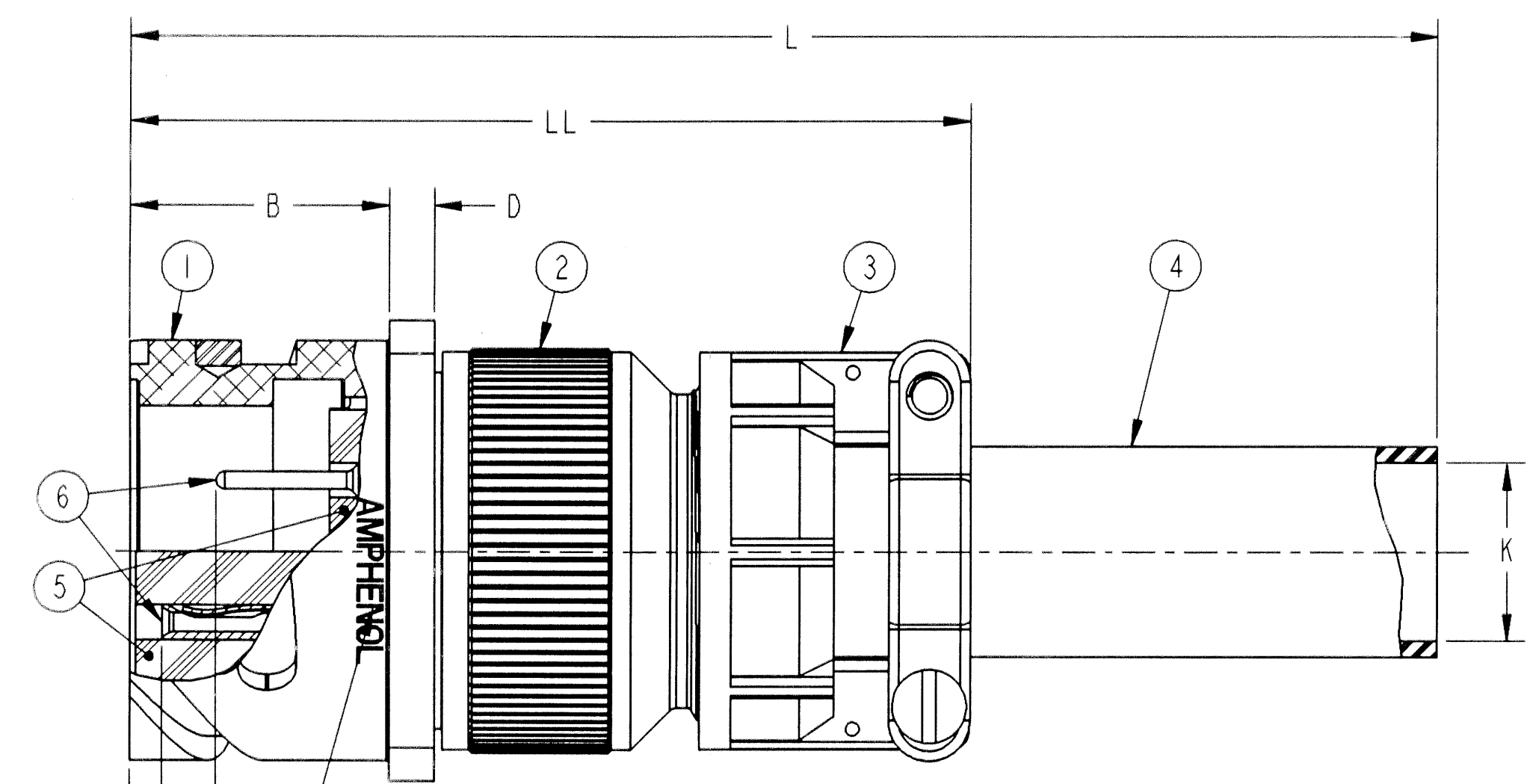
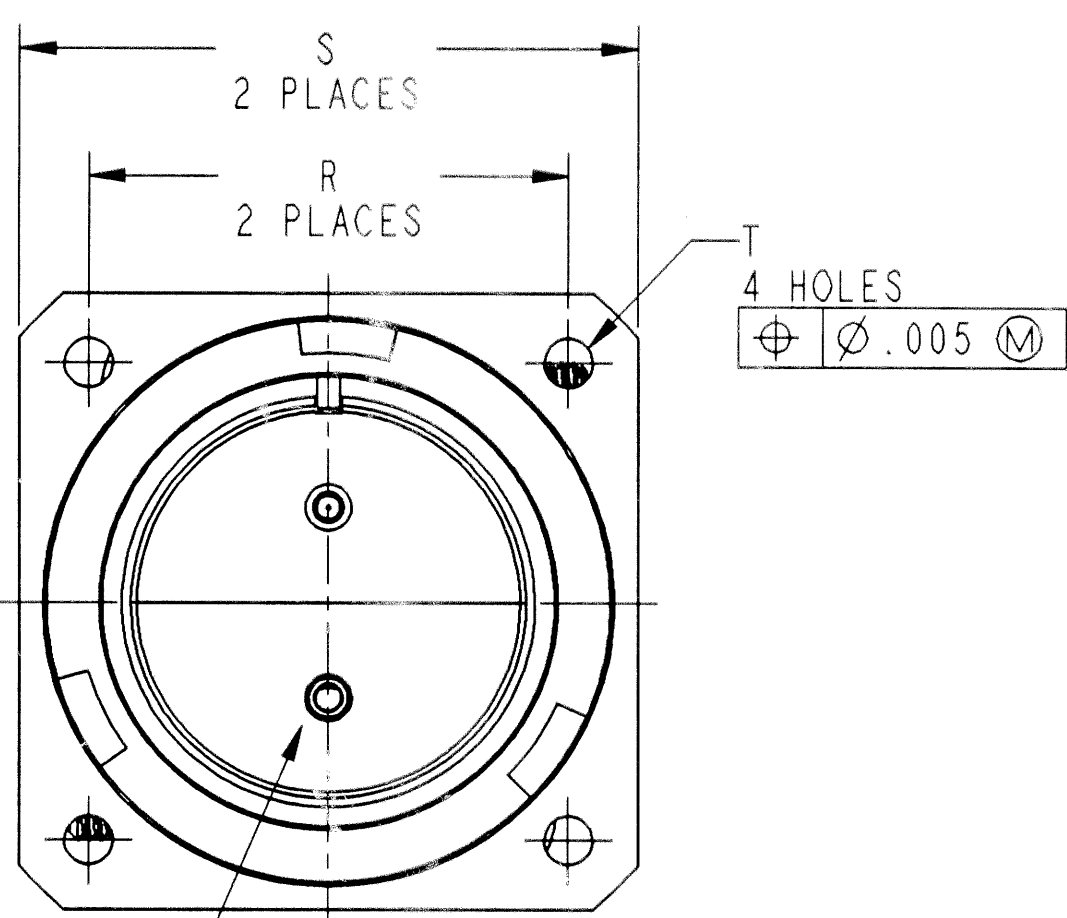


CONTACT SIZE	SHELL SIZE	X	Y ±.040
16 SHORT	10SL, 14S, 16S	.087±.039	.079
16 LONG	16 THRU 40	.260 <sup>+</sup> .052 -.041	.102
12	16 THRU 40	.118 <sup>+</sup> .039 -.056	.102
0,4,8	16 THRU 40	.091±.039	.102

WIRE WELL DATA					
CONTACT SIZE	0	4	8	12	16
WELL DIA	.453±.005	.281 <sup>+</sup> .005 -.004	.179 <sup>+</sup> .004 -.002	.098 <sup>+</sup> .004 -.001	.063 <sup>+</sup> .004 -.001
WELL DEPTH <sup>+</sup> .031 -.000	.592	.500	.500	.250	.250

REVISIONS			
LTR	DESCRIPTION	DATE	APPVD
A	INITIAL RELEASE NUM: 70292-380		



BLACK INK STAMP "AMPHENOL", GT NUMBER, (SEE COLUMN), AND DATE CODE, (9-3895), APPROX .094-.125 HIGH IN APPROX POSITION SHOWN, PER 9-3856-5..  
EXAMPLE:  
BENDIX GTC030AF24-12P 9652

SEE SHEET 2

**NOTES:**

THIS DOCUMENT CONTAINS PROPRIETARY INFORMATION AND SUCH INFORMATION MAY NOT BE DISCLOSED TO OTHERS FOR ANY PURPOSE OR USED FOR MANUFACTURING PURPOSES WITHOUT WRITTEN PERMISSION FROM THE AMPHENOL CORPORATION.

COMPANY ID: 9	COD/MS/CUST: N	N/A
INTERNAL: N	LOT NO: N	N/A
DATE CODE: N	SEE DRAW: N	N/A
STAMPING DATA		NEXT ASSEMBLY

UNLESS OTHERWISE SPECIFIED	SPECIFICATIONS	POS	QTY	PART NUMBER	DESCRIPTION	NOTE	
LINEAR DIMENSIONS ARE IN INCHES TOLERANCES: .XXXX = ±.0005 .XXX = ±.010 .XX = ±.03 X = ±.1 ANGLES = ±2° OTHER STANDARDS PER 9-3800 AND DOD-D-1000 THIRD ANGLE PROJECTION	MATERIAL SPEC.						
	N/A						
	PROCESS SPEC.						
	SEE NOTE 5						
		APPROVALS	DATE	PARTS LIST			
		PREPARED A. PRESCOTT	13-Nov-95	<b>AMPHENOL CORPORATION</b> AEROSPACE OPERATIONS SIDNEY, N.Y.			
	CHECKED <i>A. Prescott</i>	10-25-97	CONNECTOR, ELECTRICAL RECEPTACLE, TYPE GTC030AF-(), OLIVE DRAB CADMIUM PLATED				
	APPROVED <i>R. Barnes</i>	10/25/97	SIZE C	FSCM NO. 77820	DOCUMENT NO. 71-606820/839	REV. A	
	PRO/ENG INFORMATION GTC030AF ASSEM 71-606820.839		SCALE: 2.0	REF: 71-581440/459	SHEET 1 OF 2		

FAMCODES DATA3: GTCBNS CICS: FALSE

ASSEMBLY NUMBER	SIZE	GT NUMBER	SHELL	CLAMP ASSY	SLEEVE	B ±.008	D ±.008	K DIA MIN	L MAX	R	S ±.012	T DIA +.004 -.000	LL MAX
71-606820-()	8S	NOT AVAILABLE											
71-606821-()	10S	NOT AVAILABLE											
71-606822-()	10SL	GTC030AF10SL-()	10-580713-113	10-824810- 4	10-824802- 4	.725	.110	.220	4.878	.717	1.000	.126	2.520
71-606823-()	12S	NOT AVAILABLE											
71-606824-()	12	NOT AVAILABLE											
71-606825-()	14S	GTC030AF14S-()	10-580713-143	10-824810- 7	10-824802- 6	.725	.126	.312	4.878	.906	1.181	.126	2.598
71-606826-()	14	NOT AVAILABLE											
71-606827-()	16S	GTC030AF16S-()	10-580713-163	10-824810- 8	10-824802- 8	.725	.126	.437	4.878	.969	1.280	.126	2.914
71-606828-()	16	GTC030AF16-()	10-580713-173	10-824810- 8	10-824802- 8	.854	.126	.437	5.019	.969	1.280	.126	2.854
71-606829-()	18	GTC030AF18-()	10-580713-183	10-824810-10	10-824802-10	.915	.157	.562	5.080	1.063	1.378	.126	3.190
71-606830-()	20	GTC030AF20-()	10-580713-203	10-824810-12	10-824802-12	.915	.157	.625	5.080	1.157	1.496	.126	3.190
71-606831-()	22	GTC030AF22-()	10-580713-223	10-824810-12	10-824802-12	.915	.157	.625	5.080	1.252	1.614	.126	3.190
71-606832-()	24	GTC030AF24-()	10-580713-243	10-824810-16	10-824802-16	.915	.157	.750	5.017	1.374	1.752	.146	3.442
71-606833-()	28	GTC030AF28-()	10-580713-283	10-824810-16	10-824802-16	.955	.157	.750	5.057	1.563	2.000	.146	3.482
71-606834-()	32	GTC030AF32-()	10-580713-323	10-824810-20	10-824802-20	.955	.157	.937	4.994	1.752	2.244	.169	3.419
71-606835-()	36	GTC030AF36-()	10-580713-363	10-824810-24	10-824802-24	.955	.157	1.250	5.388	1.937	2.500	.169	4.206
71-606836-()	40	GTC030AF40-()	10-580713-403	10-824810-28	10-824802-28	.955	.157	1.375	5.709	2.185	2.752	.169	5.191
71-606837/839-()		NOT AVAILABLE											

TO COMPLETE ADD APPLICABLE INSERT ARRANGEMENT SUFFIX PER 9-2437.

6. SEE WORK ORDER FOR PERMISSIBLE ADDITIONAL OR ALTERNATE STAMPING.

5. PROCESS SPEC:  
 ASSY 9-9238  
 TEST 9-3106-18  
 9-3856-5, 9-3895, 9-2437

4. INSERTS ARE NOT REMOVABLE.

3. DRAWING ILLUSTRATES FINAL ASSEMBLY. FOR STORAGE AND SHIPPING, ADAPTER MUST BE LOOSELY COUPLED. CONTACTS ARE SHIPPED UNASSEMBLED.

2. FOR CONTACT SIZE, SPACING AND SERVICE RATING, SEE MIL-STD-1651 OR L-11908/48-().

1. UNIT MEETS APPLICABLE REQUIREMENTS OF MIL-C-5015.

10. FOR FINAL INSTALLATION CONTACTS MUST BE ASSEMBLED INTO ALL INSERT HOLES. ALL UNUSED GROMMET HOLES MUST BE FILLED WITH THE APPROPRIATE SIZE SEALING PLUG.

9. PACKAGE PER PRODUCTION PROCESS SHEET.

8. SEE SEPARATE PARTS LIST FOR COMPONENT PART NUMBERS AND QUANTITIES.

7. FOR MATING CONNECTOR ASSEMBLIES, SEE 71-580450/469 AND OTHERS.

THIS DOCUMENT CONTAINS PROPRIETARY INFORMATION AND SUCH INFORMATION MAY NOT BE DISCLOSED TO OTHERS FOR ANY PURPOSE OR USED FOR MANUFACTURING PURPOSES WITHOUT WRITTEN PERMISSION FROM THE AMPHENOL CORPORATION.

SIZE <b>C</b>	FSCM NO. <b>77820</b>	DOCUMENT NO. <b>71-606820/839</b>	REV. <b>A</b>
SCALE: 2.0		REF:	SHEET 2 OF 2

## X-ON Electronics

Largest Supplier of Electrical and Electronic Components

*Click to view similar products for [Circular MIL Spec Connector](#) category:*

*Click to view products by [Amphenol](#) manufacturer:*

Other Similar products are found below :

[89075GULPR](#) [0025-262-542](#) [0025-264-3014](#) [58-570121-04S](#) [0134-213-1208](#) [0134-213-2209](#) [0025-258-000](#) [60-042022-07P](#) [60-042022-19P](#)  
[60-042022-23P](#) [60-042217-10P](#) [0114-201-1278](#) [012-0467-000](#) [602GB06EG24-61SN](#) [0134-201-1207](#) [0134-213-1006](#) [6104-207-2302](#) [6104-](#)  
[208-1902](#) [61-168211-04P](#) [61-168617-10P](#) [6131-202-19149P](#) [6131-204-21149P](#) [6131-208-13149P](#) [6131-209-17149P](#) [6131-210-11149P](#) [6131-](#)  
[211-19149P](#) [6131-216-19149P](#) [6131-259-21149P](#) [6131-259-23149P](#) [6131-265-17149P](#) [6131-265-19149P](#) [CS3100A18-1P-472](#) [CS3100A-36-](#)  
[77P](#) [CS3101A-16-55P](#) [CS3102A-10SL-55P](#) [CS3102A-14S-58P](#) [CS3102A-32-17P](#) [CS3102A32-25S](#) [CS3102C18-4P-472](#)  
[CS3106A10SL3S004](#) [CS3106A-18-73S](#) [CS3108A-14S-52S](#) [CS3108A-28-51S](#) [6162-233-1277](#) [6162-324-1231](#) [M243082296Z](#)  
[M2884010AC1S1](#) [CT0-24-10SC](#) [CT0M20-7PCAU](#) [M28840/17AC1G3](#)