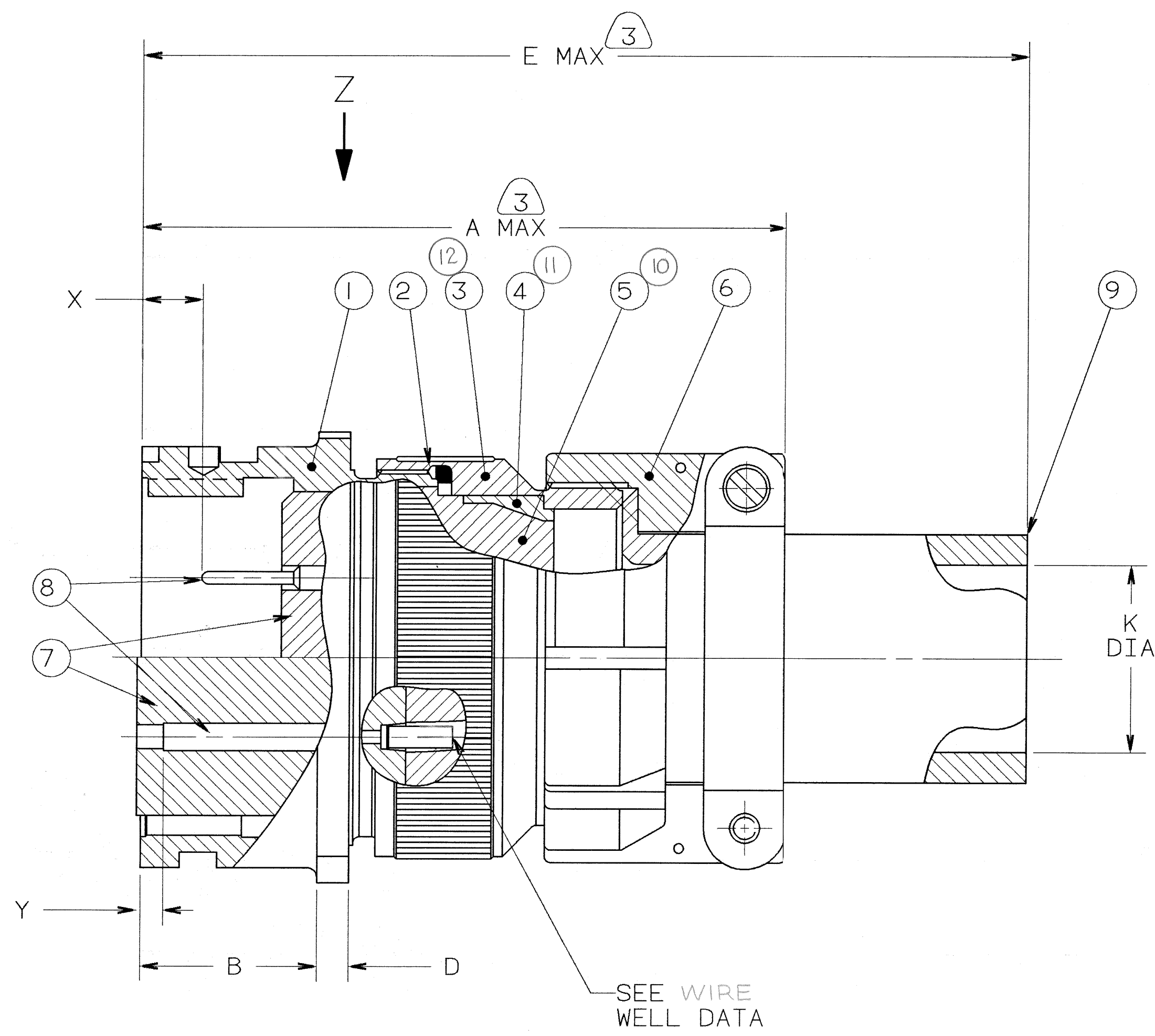
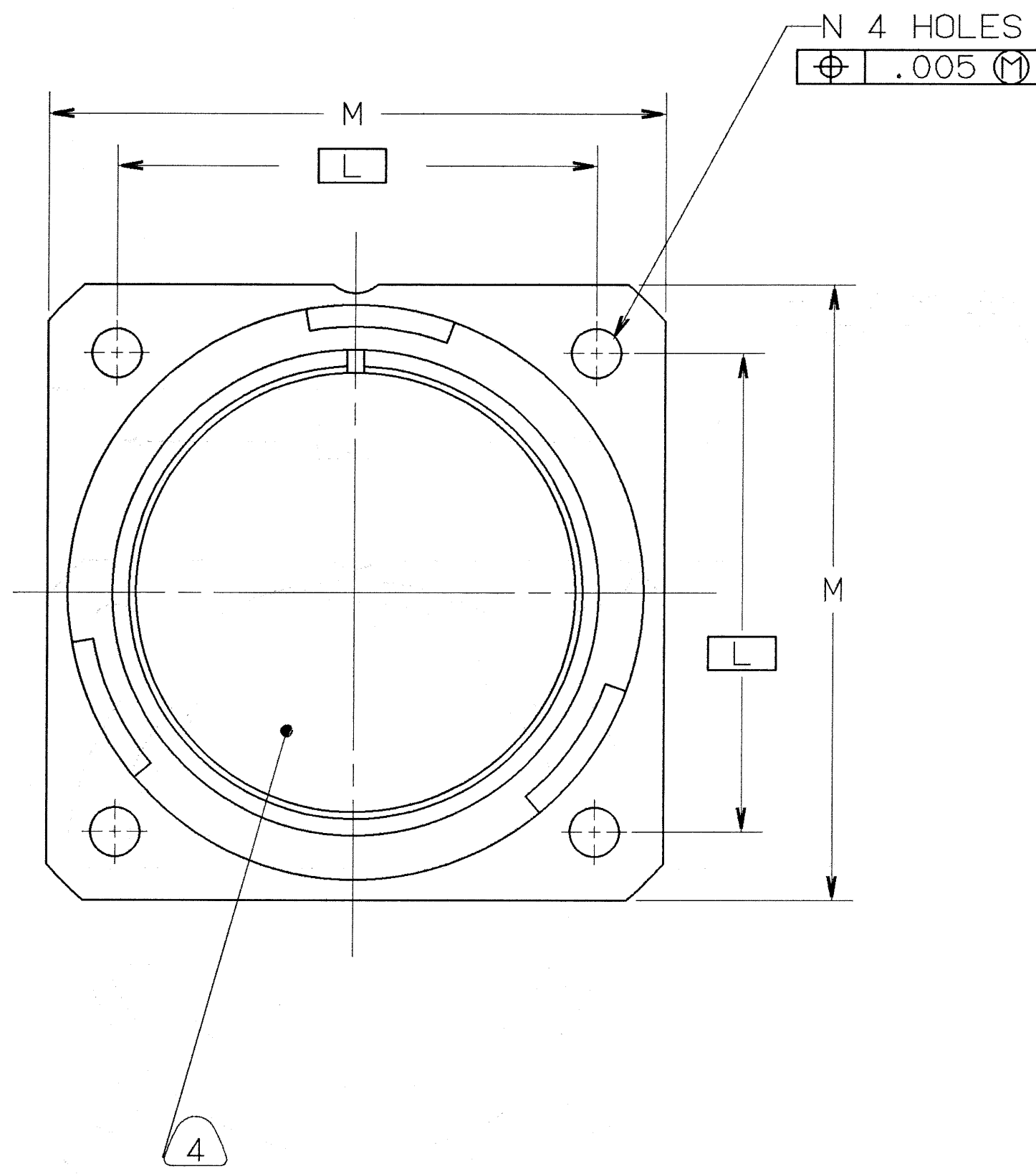


CONTACT SIZE	SHELL SIZE	X	Y ±.040
16 SHORT	10SL, 14S, 16S	.087±.039	.079
16 LONG	14, 16, THRU 40	.260 ⁺ .052 .041	.102
12	14, 16, THRU 40	.118 ⁺ .039 .056	.102
4,8,0	14, 16, THRU 40	.091±.039	.102

REVISIONS				
ZONE	LTR	DESCRIPTION	DATE	APPROVED
	A	INITIAL RELEASE NUM: 70091-140		
	B	(CL II) SEE ECN 27941	7-27-93 P. J. ...	
	C	(CL II) SEE CHG NOTICE ECN: 28357	6-9-94 Prescott	



FIND NO.	QTY RECD.	FSCM NO.	PART NUMBER	DESCRIPTION	NOTE REF.
12	1		10-581821-XX3	ADAPTER	3,14
11	1		10-581819-XX1	SLEEVE	14
10	1		SEE COLUMN	GROMMET	13,14
9	1		SEE COLUMN	SLEEVE	
8	SEE NOTE 10			CONTACT	3
7	1		10-748XX-XXX	INSERT	
6	1		SEE COLUMN	CLAMP ASSY	
5	1		10-607XX-XX	GROMMET	15
4	1		10-564869-XX	SLEEVE	15
3	1		10-564867-XX3	ADAPTER	15,3
2	1		10-101379-XX1	GASKET	8
1	1		SEE COLUMN	SHELL	

SEE SHEET 2
NOTES:

THE USE OF THIS DOCUMENT IS UNLIMITED. HOWEVER, DOCUMENTS REFERENCED HEREON MAY CONTAIN LIMITED RIGHTS DATA.

COMPANY ID: 2
 CODED/MS/CUST: Y
 INTERNAL: N
 LOTNO: N
 DATE CODE: 9-3895
 SEE PRINT: N

UNLESS OTHERWISE SPECIFIED
 LINEAR DIMENSIONS ARE IN INCHES.
 TOLERANCES: .XXX±.010,
 .XX ±.03, .X ±.1, ANGLES ±2°.
 OTHER STANDARDS PER 9-3800
 AND DOD-D-1000. NOTE REF= XX

SPECIFICATIONS	SIGNATURES	DATES	PARTS LIST	
MATERIAL SPEC. N/A	PREPARED: MCELLIGOTT CHECKED: J. J. Miller MATERIAL: [Signature]	4/24/91 4-22-91	AMPHENOL CORPORATION BENDIX CONNECTOR OPERATIONS SIDNEY, N.Y.	
PROCESS SPEC. SEE NOTE 5	APPROVED: [Signature] 1ST PART NO. 71-581453-215	4-22-91 5-3-91	SIZE: D 77820	FSCM NO. 71-581440/459
			SCALE: NONE	WT. REF 71-581580/599

COMPUTER GENERATED DRAWING

00000001

TAB.

71-581440/459

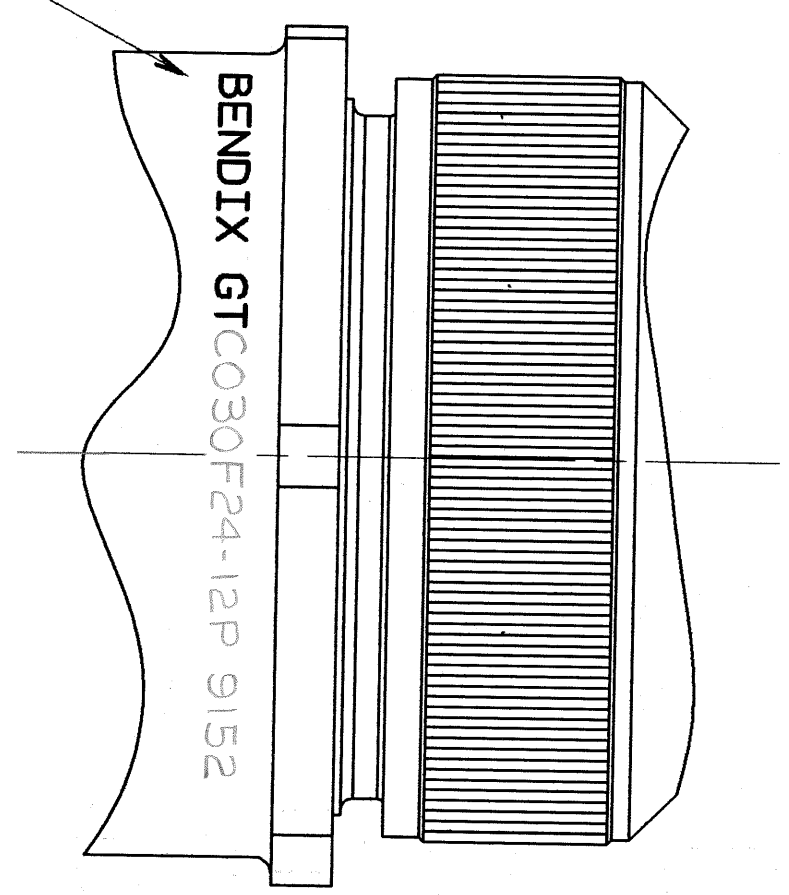
ASSEMBLY NUMBER	SHELL SIZE	GT NUMBER	GROMMET PART NUMBER	SHELL	CLAMP ASSY	SLEEVE	4		3		2		1
							A MAX	B +.016 -.000	D ±.008	E MAX	K MIN	M ±.012	N DIA +.004 -.000
71-581440-()	8S	NOT AVAILABLE											
71-581441-()	10S	NOT AVAILABLE											
71-581442-()	10SL	GTC030F10SL-C)	10-581825-()	10-580713-113	10-824810- 4	10-824802- 4	2.520	.717	.110	4.878	.218	.717	1.000 .126
71-581443-()	12S	NOT AVAILABLE											
71-581444-()	12	NOT AVAILABLE											
71-581445-()	14S	GTC030F14S-C)	10-581827-()	10-580713-143	10-824810- 7	10-824802- 6	2.598	.717	.126	4.878	.310	.906	1.181 .126
71-581446-()	14	NOT AVAILABLE											
71-581447-()	16S	GTC030F16S-C)	10-581829-()	10-580713-163	10-824810- 8	10-824802- 8	2.914	.717	.126	4.878	.435	.969	1.280 .126
71-581448-()	16	GTC030F16-C)	10-581830-()	10-580713-173	10-824810- 8	10-824802- 8	2.854	.846	.126	5.019	.435	.969	1.280 .126
71-581449-()	18	GTC030F18-C)	10-581831-()	10-580713-183	10-824810-10	10-824802-10	3.190	.907					
71-581450-()	20	GTC030F20-C)	10-581832-()	10-580713-203	10-824810-12	10-824802-12	3.190	.907	.157	5.080	.560	1.063	1.378 .126
71-581451-()	22	GTC030F22-C)	10-581833-()	10-580713-223	10-824810-12	10-824802-12	3.190	.907		5.080	.623	1.157	1.496 .126
71-581452-()	24	GTC030F24-C)								5.080	.623	1.252	1.614 .126
71-581453-()	28	GTC030F28-C)	10-581834-()	10-580713-243	10-824810-16	10-824802-16	3.442	.907		5.017	.748	1.374	1.752 .146
71-581454-()	32	GTC030F32-C)	10-581835-()	10-580713-283	10-824810-16	10-824802-16	3.482	.947		5.057	.748	1.563	2.000 .146
71-581455-()	36	GTC030F36-C)	10-581837-()	10-580713-323	10-824810-20	10-824802-20	3.419	.947		4.994	.935	1.752	2.244 .169
71-581456-()	40	GTC030F40-C)	NOT AVAILABLE	10-580713-363	10-824810-24	10-824802-24	4.206	.947		5.388	1.248	1.937	2.500 .169
71-581457/459		NOT AVAILABLE											

TO COMPLETE, ADD APPLICABLE INSERT ARRANGEMENT SUFFIX PER 9-2437

SEE NOTE 13

WIRE WELL DATA					
CONTACT SIZE	0	4	8	12	16
WELL DIA	.453±.005	.281+.005 -.004	.179+.004 -.002	.098+.004 -.001	.063+.004 -.001
WELL DEPTH	+.031 -.000	.592	.500	.500	.250

BLACK INK STAMP PER 9-3856-5 "BENDIX", GT NUMBER (SEE COLUMN) & DATE CODE (9-3895). CHARACTERS TO BE .094-.125 HIGH. AND LOCATED APPROX AS SHOWN
EXAMPLE:
BENDIX GTC030F24-12P 9152



VIEW AT Z

7. FOR MATING CONNECTOR ASSEMBLIES, SEE 71-580450/469 & OTHERS.
6. SEE WORK ORDER FOR PERMISSIBLE ADDITIONAL OR ALTERNATE STAMPING.
5. PROCESS SPEC:
ASSY 9-9238
TEST 9-3106-18
9-3856-5, 9-3895, 9-2437, 9-1936
4. INSERTS ARE NOT REMOVABLE.
3. DRAWING ILLUSTRATES FINAL ASSEMBLY. FOR STORAGE & SHIPPING, ADAPTER, CLAMP AND SLEEVE MUST BE LOOSELY COUPLED.
2. FOR CONTACT SIZE, SPACING & SERVICE RATING, SEE MIL-STD-1651 OR L-11908-()/L-11948-().
1. UNITS MEET THE APPLICABLE REQUIREMENTS OF MIL-C-5015.
15. INDICATED ITEMS, (F/N'S 3, 4 & 5) ARE APPLICABLE TO CONNECTORS CONTAINING CONTACT ARRANGEMENTS OTHER THAN THOSE SPECIFIED IN NOTE 14.
14. INDICATED ITEMS, (F/N'S 10, 11 & 12) ARE APPLICABLE TO CONNECTORS CONTAINING CONTACT ARRANGEMENTS WITH SIZE 4 & 8 SIZE CONTACTS.
13. TO COMPLETE INDICATED GROMMET PART NO. ADD APPLICABLE ARRANGEMENT SUFFIX.
12. CONTACTS ARE SHIPPED UNASSEMBLED.
11. FOR FINAL INSTALLATION, CONTACTS MUST BE ASSEMBLED INTO ALL INSERT HOLES. ALL UNUSED GROMMET HOLES MUST BE FILLED WITH THE APPROPRIATE SIZE SEALING PLUG.
10. PACKAGE PER PRODUCTION PROCESS SHEET.
9. SEE SEPARATE PARTS LIST FOR COMPONENT PART NUMBERS AND QUANTITIES.
8. APPLY A LIGHT FILM OF LUBRICANT 9-1936 TO GASKET.

NOTES:

THE USE OF THIS DOCUMENT IS UNLIMITED. HOWEVER, DOCUMENTS REFERENCED HEREON MAY CONTAIN LIMITED RIGHTS DATA.

SIZE	D	FSCM NO.	77820	71-581440/459	REV	C
SCALE		WT.		REF	SHEET	2

COMPUTER GENERATED DRAWING

X-ON Electronics

Largest Supplier of Electrical and Electronic Components

Click to view similar products for [Circular MIL Spec Connector](#) category:

Click to view products by [Amphenol](#) manufacturer:

Other Similar products are found below :

[89075GULPR](#) [0025-262-542](#) [0025-264-3014](#) [58-570121-04S](#) [0134-213-1208](#) [0134-213-2209](#) [0025-258-000](#) [60-042022-07P](#) [60-042022-19P](#)
[60-042022-23P](#) [60-042217-10P](#) [0114-201-1278](#) [012-0467-000](#) [602GB06EG24-61SN](#) [0134-201-1207](#) [0134-213-1006](#) [6104-207-2302](#) [6104-](#)
[208-1902](#) [61-168211-04P](#) [61-168617-10P](#) [6131-202-19149P](#) [6131-204-21149P](#) [6131-208-13149P](#) [6131-209-17149P](#) [6131-210-11149P](#) [6131-](#)
[211-19149P](#) [6131-216-19149P](#) [6131-259-21149P](#) [6131-259-23149P](#) [6131-265-17149P](#) [6131-265-19149P](#) [CS3100A18-1P-472](#) [CS3100A-36-](#)
[77P](#) [CS3101A-16-55P](#) [CS3102A-10SL-55P](#) [CS3102A-14S-58P](#) [CS3102A-32-17P](#) [CS3102A32-25S](#) [CS3102C18-4P-472](#)
[CS3106A10SL3S004](#) [CS3106A-18-73S](#) [CS3108A-14S-52S](#) [CS3108A-28-51S](#) [6162-233-1277](#) [6162-324-1231](#) [M243082296Z](#)
[M2884010AC1S1](#) [CT0-24-10SC](#) [CT0M20-7PCAU](#) [M28840/17AC1G3](#)