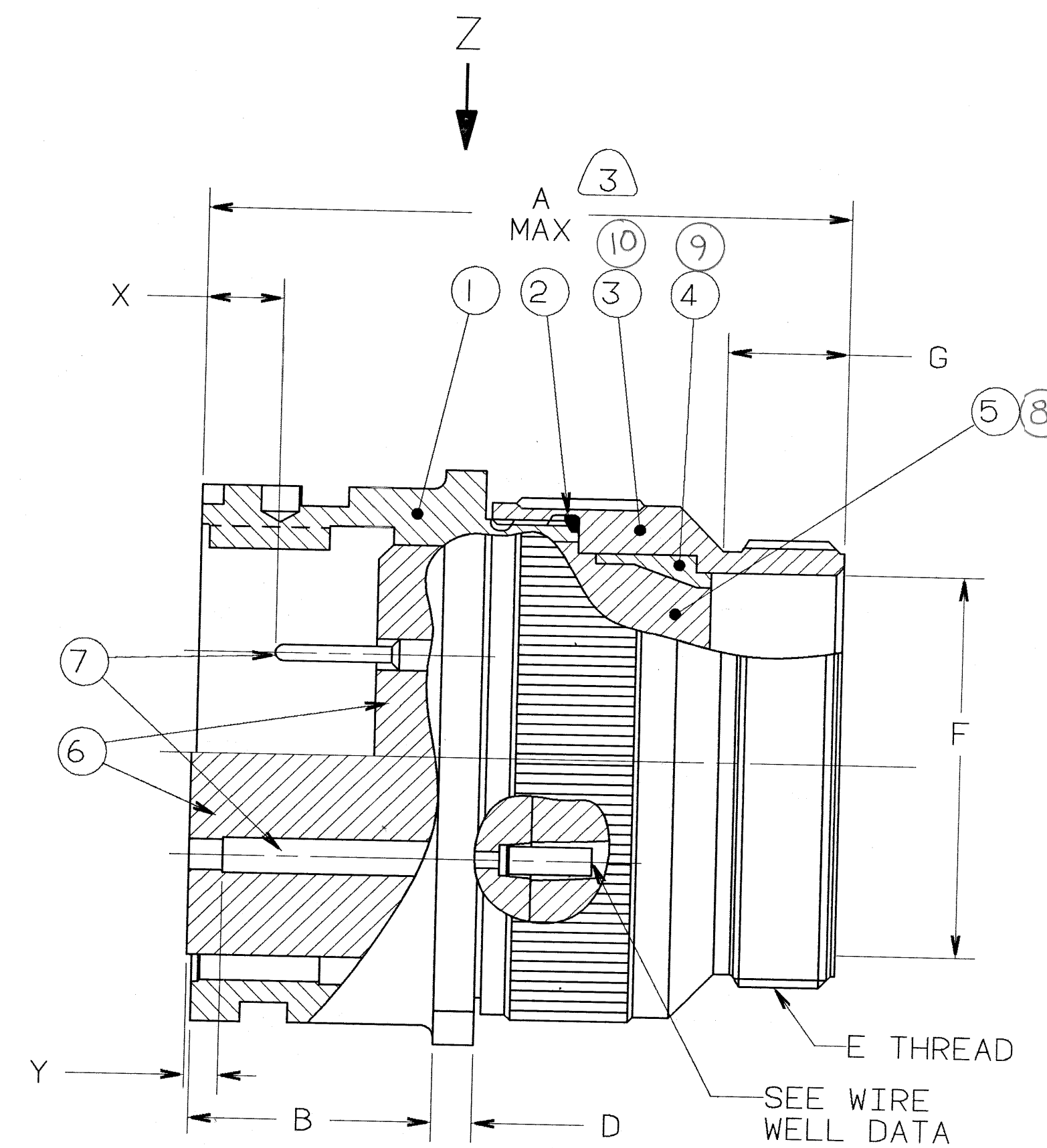
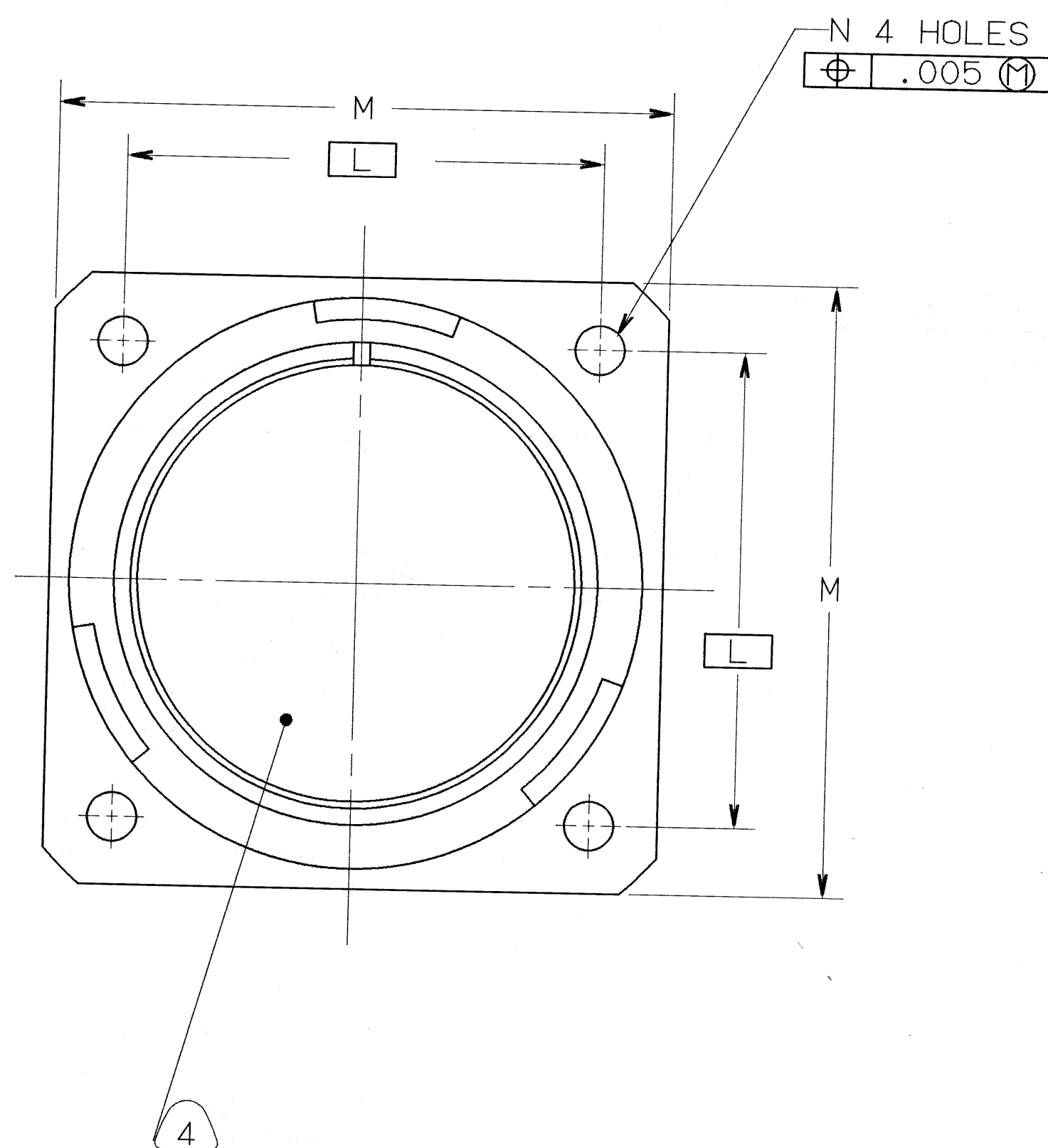


CONTACT SIZE	SHELL SIZE	X	Y ±.040
16 SHORT	10SL, 14S, 16S	.087±.039	.079
16 LONG	14, 16, THRU 40	.260 ⁺ .052 -.041	.102
12	14, 16, THRU 40	.118 ⁺ .039 -.056	.102
4,8,0	14, 16, THRU 40	.091±.039	.102

REVISIONS				
ZONE	LTR	DESCRIPTION	DATE	APPROVED
	A	INITIAL RELEASE NUM: 20049-223		
	B	(CLII) SEE ECN 27941	7-27-83	Prescott
	C	(CLII) SEE CHG NOTICE ECN: 28356	6/7/94	Prescott & gao



FIND NO.	QTY REQD.	FSCM NO.	PART NUMBER	DESCRIPTION	NOTE REF.
10	1		10-581821-XX3	ADAPTER	3,13
9	1		10-581819-XX1	SLEEVE	13
8	1		SEE COLUMN	GROMMET	13,12
7			SEE NOTE 10	CONTACT	
6	1		10-748XX-XXX	INSERT	
5	1		10-607XX-XX	GROMMET	14
4	1		10-564869-XX	SLEEVE	14
3	1		10-564867-XX3	ADAPTER	14,3
2	1		10-101379-XX1	GASKET	9
1	1		SEE COLUMN	SHELL	

SEE SHEET 2
NOTES:

THE USE OF THIS DOCUMENT IS UNLIMITED. HOWEVER, DOCUMENTS REFERENCED HEREON MAY CONTAIN LIMITED RIGHTS DATA.

COMPANY ID: 2
CODED/MS/CUST: Y
INTERNAL: N
LOTNO: N
DATE CODE: 9-3895
SEE PRINT: N

N/A
N/A
NEXT ASSEMBLY

UNLESS OTHERWISE SPECIFIED
LINEAR DIMENSIONS ARE IN INCHES.
TOLERANCES: .XXX±.010,
.XX ±.03, .X ±.1, ANGLES ±2°.
OTHER STANDARDS PER 9-3800
AND DOD-D-1000. NOTE REF= (XX)

SPECIFICATIONS			SIGNATURES		DATES		PARTS LIST	
MATERIAL SPEC.	N/A		PREPARED BIVIANO		11/8/89	AMPHENOL CORPORATION BENDIX CONNECTOR OPERATIONS SIDNEY, N.Y.		
PROCESS SPEC.	SEE NOTE 5		CHECKED [Signature]		11/9/89	CONNECTOR, ELECTRICAL RECEPTACLE, REAR PANEL MOUNT, REVERSE BAYONET COUPLING, TYPE GTC030R()-(), SOLDERLESS		
SIZE	D	FSCM NO.	77820			71-580960/979		
SCALE	NONE	REF	N/A			SHEET 1 OF 2		

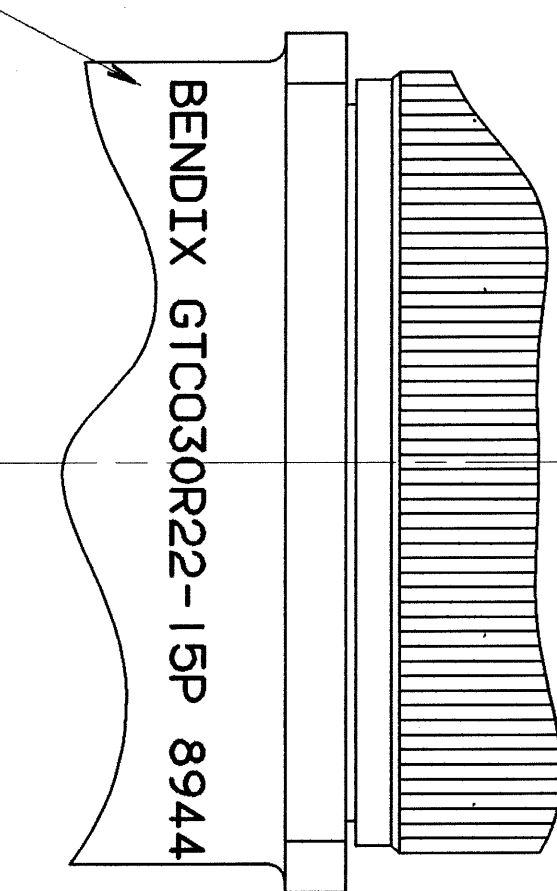
ASSEMBLY NUMBER	SHELL SIZE	GT NUMBER	GROMMET	SHELL	A MAX	B +.016 -.000	D ±.008	E THREAD -2A	F DIA MIN	G MIN	L ±.012	M ±.012	N DIA +.004 -.000
71-580960-()	8S	NOT AVAILABLE											
71-580961-()	10S	NOT AVAILABLE											
71-580962-()	10SL	GTC030R10SL-()	10-581825-()	10-580713-113	1.969	.717	.110	.6250-24UNEF	.409	.374	.717	1.000	.126
71-580963-()	12S	NOT AVAILABLE											
71-580964-()	12	NOT AVAILABLE											
71-580965-()	14S	GTC030R14S-()	10-581827-()	10-580713-143	1.969	.717	.126	.7500-20UNEF	.520	.374	.905	1.181	.126
71-580966-()	14	NOT AVAILABLE											
71-580967-()	16S	GTC030R16S-()	10-581829-()	10-580713-163	1.969	.717	.126	.8750-20UNEF	.638	.374	.969	1.280	.126
71-580968-()	16	GTC030R16-()	10-581830-()	10-580713-173	2.362	.846	.126	.8750-20UNEF	.638	.374	.969	1.280	.126
71-580969-()	18	GTC030R18-()	10-581831-()	10-580713-183	2.362	.907	.157	1.0000-20UNEF	.756	.374	1.063	1.378	.126
71-580970-()	20	GTC030R20-()	10-581832-()	10-580713-203	2.362			1.1875-18UNEF	.866	.374	1.157	1.496	.126
71-580971-()	22	GTC030R22-()	10-581833-()	10-580713-223	2.362			1.1875-18UNEF	.965	.374	1.252	1.614	.126
71-580972-()	24	GTC030R24-()	10-581834-()	10-580713-243	2.559			1.4375-18UNEF	1.094	.374	1.374	1.752	.146
71-580973-()	28	GTC030R28-()	10-581835-()	10-580713-283	2.559	.947		1.4375-18UNEF	1.228	.374	1.563	2.000	.146
71-580974-()	32	GTC030R32-()	10-581836-()	10-580713-323	2.559			1.7500-18UNS	1.488	.433	1.752	2.244	.169
71-580975-()	36	GTC030R36-()	10-581837-()	10-580713-363	3.150			2.0000-18UNS	1.780	.465	1.937	2.500	.169
71-580976-()	40	GTC030R40-()	10-581838-()	10-580713-403	3.150			2.2500-16UN	2.016	.465	2.185	2.752	.169
71-580977/979		NOT AVAILABLE											

SEE NOTE 12

TO COMPLETE, ADD APPLICABLE INSERT ARRANGEMENT SUFFIX PER 9-2437

WIRE WELL DATA						
CONTACT SIZE	0	4	8	12	16	16M
WELL DIA	.453±.005	.281 ±.005 -.004	.179 ±.004 -.002	.098 ±.004 -.000	.063 ±.004 -.000	.063 ±.004 -.000
WELL DEPTH	+.031 -.000	.592	.500	.500	.250	.250

BLACK INK STAMP PER 9-3856-5
"BENDIX", GT NUMBER (SEE COLUMN)
& DATE CODE (9-3895).
CHARACTERS TO BE .094-.125 HIGH.
AND LOCATED APPROX IN LINE
WITH BLUE DOT ON SHELL
EXAMPLE:
BENDIX GTC030R22-15P 8944



VIEW AT Z

7. FOR MATING CONNECTOR ASSEMBLIES, SEE 71-580450/469 & OTHERS.
6. SEE WORK ORDER FOR PERMISSIBLE ADDITIONAL OR ALTERNATE STAMPING.
5. PROCESS SPEC:
ASSY 9-9238
TEST 9-3106-18
9-3856-5, 9-3895, 9-2437, 9-1936
4. INSERTS ARE NOT REMOVABLE.
3. DRAWING ILLUSTRATES FINAL ASSEMBLY. FOR STORAGE & SHIPPING, ADAPTER MUST BE LOOSELY COUPLED. CONTACTS ARE SHIPPED UNASSEMBLED.
2. FOR CONTACT SIZE, SPACING & SERVICE RATING, SEE MIL-STD-1651 OR L-11908-()/L-11948-().
1. UNITS MEET THE APPLICABLE REQUIREMENTS OF MIL-C-5015.

14. INDICATED ITEMS (F/N'S 3,4 & 5) ARE APPLICABLE TO CONNECTORS CONTAINING CONTACT ARRANGEMENTS OTHER THAN THOSE SPECIFIED IN NOTE 13.
13. INDICATED ITEMS (F/N'S 8, 9 & 10) ARE APPLICABLE TO CONNECTORS CONTAINING CONTACT ARRANGEMENTS WITH SIZE 4 & 8 CONTACTS
12. TO COMPLETE INDICATED GROMMET PART NO., ADD APPLICABLE ARRANGEMENT SUFFIX.
11. PACKAGE PER PRODUCTION PROCESS SHEET.
10. SEE SEPARATE PARTS LIST FOR COMPONENT PART NUMBERS AND QUANTITIES.
9. APPLY A LIGHT FILM OF LUBRICANT 9-1936 TO GASKET.
8. FOR FINAL INSTALLATION, CONTACTS MUST BE ASSEMBLED INTO ALL INSERT HOLES. ALL UNUSED GROMMET HOLES MUST BE FILLED WITH THE APPROPRIATE SIZE SEALING PLUG.

NOTES:

THE USE OF THIS DOCUMENT IS UNLIMITED. HOWEVER, DOCUMENTS REFERENCED HEREON MAY CONTAIN LIMITED RIGHTS DATA.

SIZE	D	FSCM NO.	77820	71-580960/979	REV	C
SCALE		WT.		REF	SHEET	2

X-ON Electronics

Largest Supplier of Electrical and Electronic Components

Click to view similar products for [Circular MIL Spec Connector](#) category:

Click to view products by [Amphenol](#) manufacturer:

Other Similar products are found below :

[0025-262-542](#) [0025-264-3014](#) [58-570121-04S](#) [0134-202-1200](#) [0134-207-1206](#) [0134-207-1800](#) [0134-207-2207](#) [0134-213-0806](#) [0134-213-1007](#) [0134-213-1009](#) [0134-213-1208](#) [0134-213-1800](#) [0134-213-2209](#) [0025-258-000](#) [015-9516-002](#) [60-042722-19P](#) [0114-201-1278](#) [602GB06EG24-61SN](#) [0134-201-1207](#) [0134-201-1806](#) [0134-201-2006](#) [0134-201-2007](#) [0134-201-2010](#) [0134-202-1400](#) [0134-207-0809](#) [0134-207-1208](#) [0134-207-2009](#) [0134-213-1006](#) [6104-207-2302](#) [6104-208-1902](#) [6131-202-19149P](#) [6131-204-21149P](#) [6131-207-13149P](#) [6131-208-13149P](#) [6131-209-17149P](#) [6131-210-11149P](#) [6131-211-19149P](#) [6131-216-19149P](#) [6131-220-25149P](#) [6131-259-11149P](#) [6131-259-21149P](#) [6131-259-23149P](#) [6131-263-19149P](#) [6131-265-17149P](#) [6131-265-19149P](#) [CS3102A-20-15P](#) [CS3102A-20-15S](#) [CS3102C18-4P-472](#) [CS3106A-20-29P](#) [CS3106A-20-74P](#)