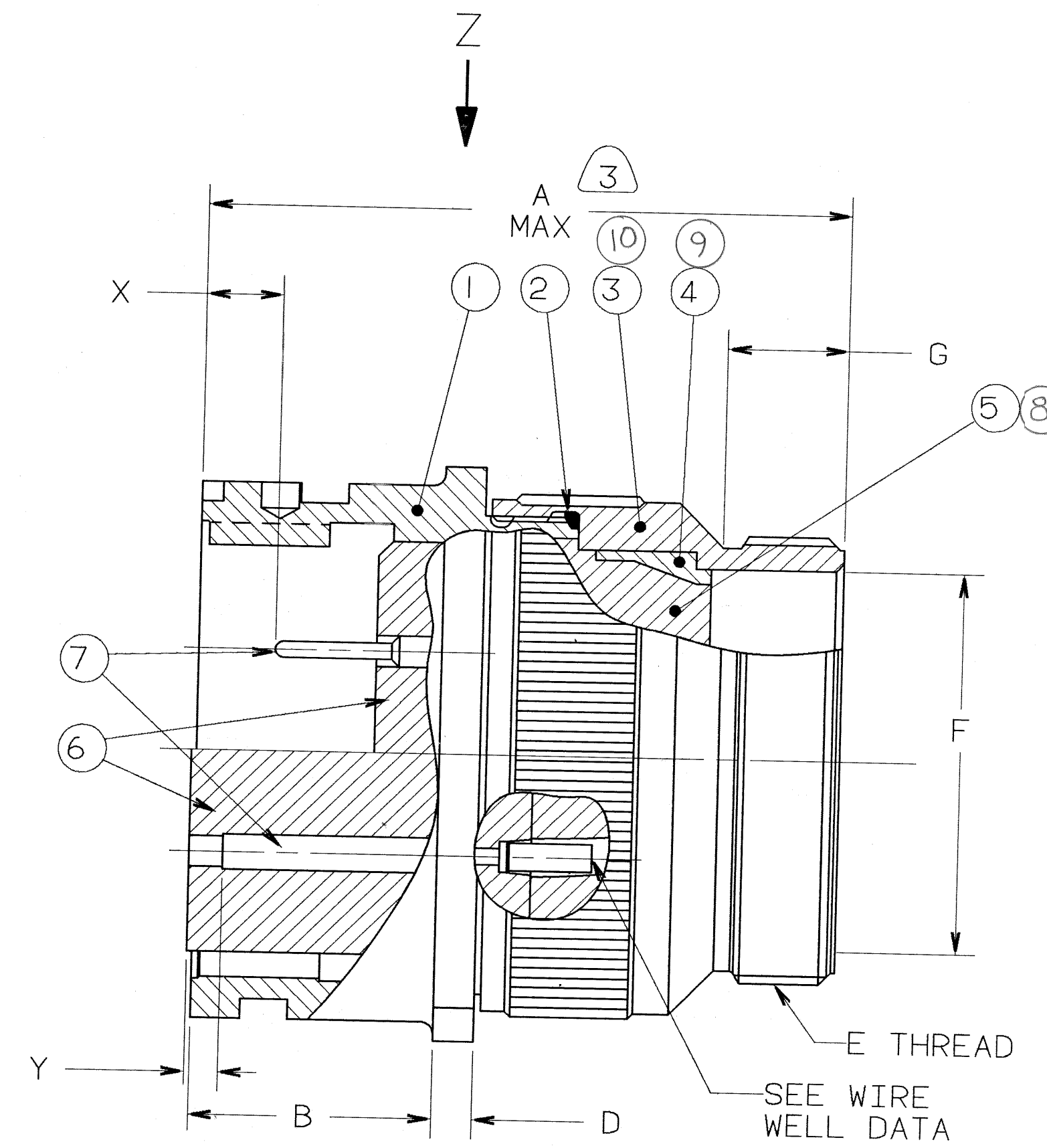
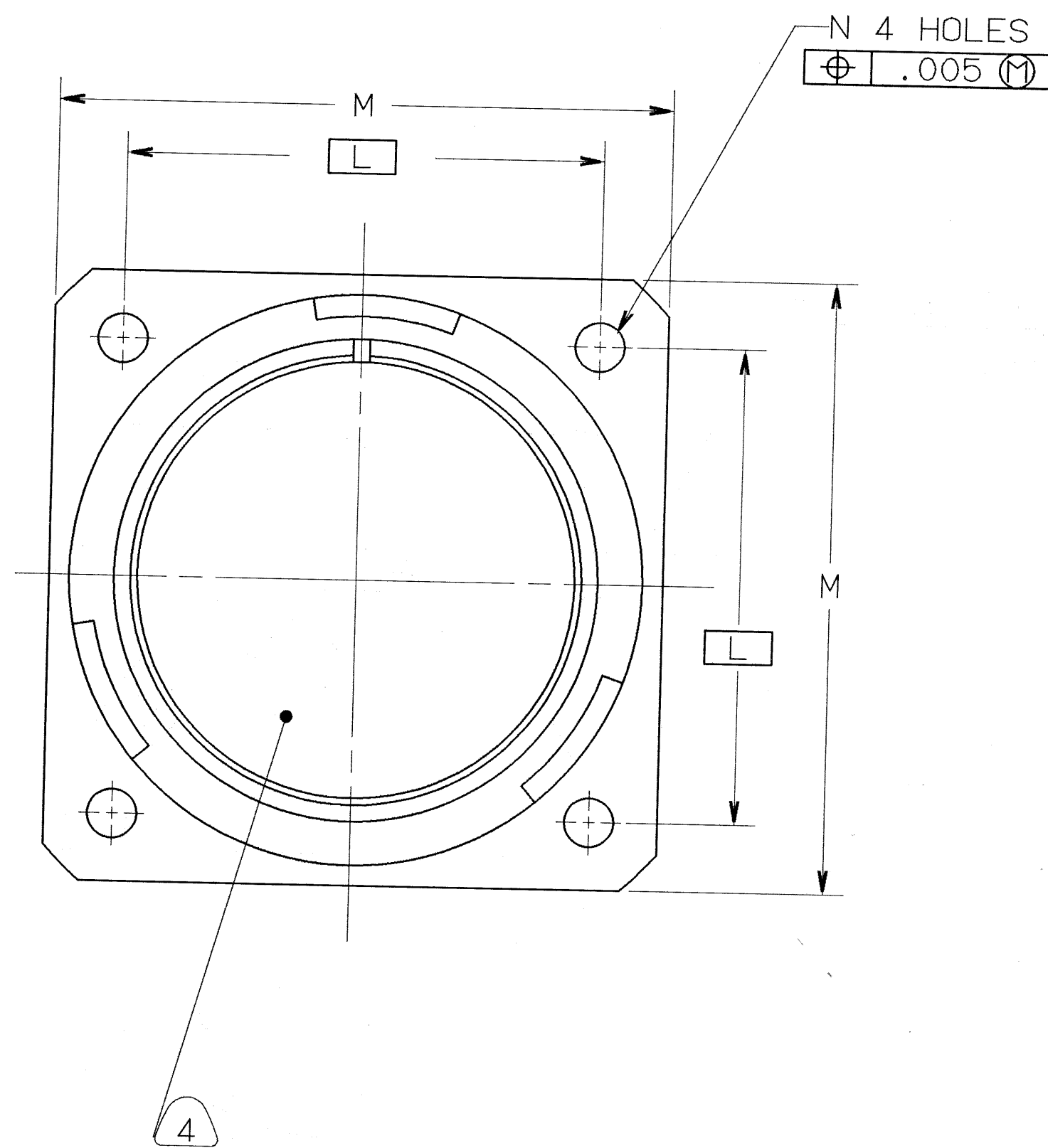


CONTACT SIZE	SHELL SIZE	X	Y ±.040
16 SHORT	10SL, 14S, 16S	.087±.039	.079
16 LONG	14, 16, THRU 40	.260 ⁺ .052 -.041	.102
12	14, 16, THRU 40	.118 ⁺ .039 -.056	.102
4,8,0	14, 16, THRU 40	.091±.039	.102

REVISIONS				
ZONE	LTR	DESCRIPTION	DATE	APPROVED
	A	INITIAL RELEASE NUM: 20049-223		
	B	(CLII) SEE ECN 27941	7-27-83	Prescott
	C	(CLII) SEE CHG NOTICE ECN: 28356	6/7/94	Prescott & gao



FIND NO.	QTY REQD.	FSCM NO.	PART NUMBER	DESCRIPTION	NOTE REF.
10	1		10-581821-XX3	ADAPTER	3,13
9	1		10-581819-XX1	SLEEVE	13
8	1		SEE COLUMN	GROMMET	13,12
7			SEE NOTE 10	CONTACT	
6	1		10-748XX-XXX	INSERT	
5	1		10-607XX-XX	GROMMET	14
4	1		10-564869-XX	SLEEVE	14
3	1		10-564867-XX3	ADAPTER	14,3
2	1		10-101379-XX1	GASKET	9
1	1		SEE COLUMN	SHELL	

SEE SHEET 2
NOTES:

THE USE OF THIS DOCUMENT IS UNLIMITED. HOWEVER, DOCUMENTS REFERENCED HEREON MAY CONTAIN LIMITED RIGHTS DATA.

COMPANY ID: 2
CODED/MS/CUST: Y
INTERNAL: N
LOTNO: N
DATE CODE: 9-3895
SEE PRINT: N

N/A
N/A
NEXT ASSEMBLY

UNLESS OTHERWISE SPECIFIED
LINEAR DIMENSIONS ARE IN INCHES.
TOLERANCES: .XXX±.010,
.XX ±.03, .X ±.1, ANGLES ±2°.
OTHER STANDARDS PER 9-3800
AND DOD-D-1000. NOTE REF= (XX)

SPECIFICATIONS	SIGNATURES	DATES	PARTS LIST	
MATERIAL SPEC. N/A	PREPARED: BIVIANO CHECKED: [Signature] MATERIAL: [Signature]	11/8/89 11/9/89 11/9/89	AMPHENOL CORPORATION BENDIX CONNECTOR OPERATIONS SIDNEY, N.Y.	
PROCESS SPEC. SEE NOTE 5	APPROVED: [Signature]	11-9-89	CONNECTOR, ELECTRICAL RECEPTACLE, REAR PANEL MOUNT, REVERSE BAYONET COUPLING, TYPE GTC030R()-(), SOLDERLESS	
	1ST PART NO.		SIZE: D	FSCM NO: 71-580960/979
			SCALE: NONE	REF: N/A

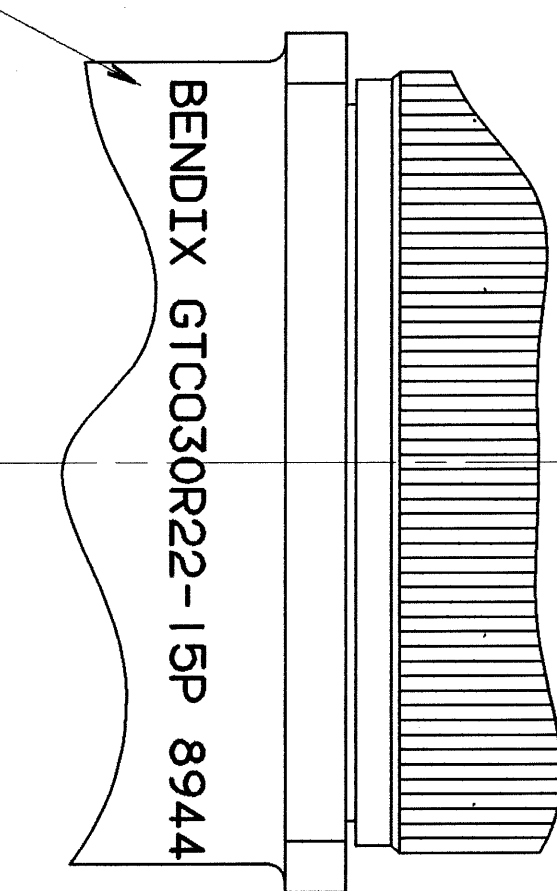
ASSEMBLY NUMBER	SHELL SIZE	GT NUMBER	GROMMET	SHELL	A MAX	B +.016 -.000	D ±.008	E THREAD -2A	F DIA MIN	G MIN	L ±.012	M ±.012	N DIA +.004 -.000
71-580960-()	8S	NOT AVAILABLE											
71-580961-()	10S	NOT AVAILABLE											
71-580962-()	10SL	GTC030R10SL-()	10-581825-()	10-580713-113	1.969	.717	.110	.6250-24UNEF	.409	.374	.717	1.000	.126
71-580963-()	12S	NOT AVAILABLE											
71-580964-()	12	NOT AVAILABLE											
71-580965-()	14S	GTC030R14S-()	10-581827-()	10-580713-143	1.969	.717	.126	.7500-20UNEF	.520	.374	.905	1.181	.126
71-580966-()	14	NOT AVAILABLE											
71-580967-()	16S	GTC030R16S-()	10-581829-()	10-580713-163	1.969	.717	.126	.8750-20UNEF	.638	.374	.969	1.280	.126
71-580968-()	16	GTC030R16-()	10-581830-()	10-580713-173	2.362	.846	.126	.8750-20UNEF	.638	.374	.969	1.280	.126
71-580969-()	18	GTC030R18-()	10-581831-()	10-580713-183	2.362	.907	.157	1.0000-20UNEF	.756	.374	1.063	1.378	.126
71-580970-()	20	GTC030R20-()	10-581832-()	10-580713-203	2.362			1.1875-18UNEF	.866	.374	1.157	1.496	.126
71-580971-()	22	GTC030R22-()	10-581833-()	10-580713-223	2.362			1.1875-18UNEF	.965	.374	1.252	1.614	.126
71-580972-()	24	GTC030R24-()	10-581834-()	10-580713-243	2.559			1.4375-18UNEF	1.094	.374	1.374	1.752	.146
71-580973-()	28	GTC030R28-()	10-581835-()	10-580713-283	2.559	.947		1.4375-18UNEF	1.228	.374	1.563	2.000	.146
71-580974-()	32	GTC030R32-()	10-581836-()	10-580713-323	2.559			1.7500-18UNS	1.488	.433	1.752	2.244	.169
71-580975-()	36	GTC030R36-()	10-581837-()	10-580713-363	3.150			2.0000-18UNS	1.780	.465	1.937	2.500	.169
71-580976-()	40	GTC030R40-()	10-581838-()	10-580713-403	3.150			2.2500-16UN	2.016	.465	2.185	2.752	.169
71-580977/979		NOT AVAILABLE											

SEE NOTE 12

TO COMPLETE, ADD APPLICABLE INSERT ARRANGEMENT SUFFIX PER 9-2437

WIRE WELL DATA						
CONTACT SIZE	0	4	8	12	16	16M
WELL DIA	.453±.005	.281 ±.005 -.004	.179 ±.004 -.002	.098 ±.004 -.000	.063 ±.004 -.000	.063 ±.004 -.000
WELL DEPTH	+.031 -.000	.592	.500	.500	.250	.250

BLACK INK STAMP PER 9-3856-5
"BENDIX", GT NUMBER (SEE COLUMN)
& DATE CODE (9-3895).
CHARACTERS TO BE .094-.125 HIGH.
AND LOCATED APPROX IN LINE
WITH BLUE DOT ON SHELL
EXAMPLE:
BENDIX GTC030R22-15P 8944



VIEW AT Z

- 7. FOR MATING CONNECTOR ASSEMBLIES, SEE 71-580450/469 & OTHERS.
- 6. SEE WORK ORDER FOR PERMISSIBLE ADDITIONAL OR ALTERNATE STAMPING.
- 5. PROCESS SPEC:
ASSY 9-9238
TEST 9-3106-18
9-3856-5, 9-3895, 9-2437, 9-1936
- 4. INSERTS ARE NOT REMOVABLE.
- 3. DRAWING ILLUSTRATES FINAL ASSEMBLY. FOR STORAGE & SHIPPING, ADAPTER MUST BE LOOSELY COUPLED. CONTACTS ARE SHIPPED UNASSEMBLED.
- 2. FOR CONTACT SIZE, SPACING & SERVICE RATING, SEE MIL-STD-1651 OR L-11908-()/L-11948-().
- 1. UNITS MEET THE APPLICABLE REQUIREMENTS OF MIL-C-5015.

- 14. INDICATED ITEMS (F/N'S 3,4 & 5) ARE APPLICABLE TO CONNECTORS CONTAINING CONTACT ARRANGEMENTS OTHER THAN THOSE SPECIFIED IN NOTE 13.
- 13. INDICATED ITEMS (F/N'S 8, 9 & 10) ARE APPLICABLE TO CONNECTORS CONTAINING CONTACT ARRANGEMENTS WITH SIZE 4 & 8 CONTACTS
- 12. TO COMPLETE INDICATED GROMMET PART NO., ADD APPLICABLE ARRANGEMENT SUFFIX.
- 11. PACKAGE PER PRODUCTION PROCESS SHEET.
- 10. SEE SEPARATE PARTS LIST FOR COMPONENT PART NUMBERS AND QUANTITIES.
- 9. APPLY A LIGHT FILM OF LUBRICANT 9-1936 TO GASKET.
- 8. FOR FINAL INSTALLATION, CONTACTS MUST BE ASSEMBLED INTO ALL INSERT HOLES. ALL UNUSED GROMMET HOLES MUST BE FILLED WITH THE APPROPRIATE SIZE SEALING PLUG.

NOTES:

THE USE OF THIS DOCUMENT IS UNLIMITED. HOWEVER, DOCUMENTS REFERENCED HEREON MAY CONTAIN LIMITED RIGHTS DATA.

SIZE	D	FSCM NO.	77820	71-580960/979	REV	C
SCALE		WT.		REF	SHEET	2

X-ON Electronics

Largest Supplier of Electrical and Electronic Components

Click to view similar products for [Circular MIL Spec Connector](#) category:

Click to view products by [Amphenol](#) manufacturer:

Other Similar products are found below :

[89075GULPR](#) [0025-262-542](#) [0025-264-3014](#) [58-570121-04S](#) [0134-213-1208](#) [0134-213-2209](#) [0025-258-000](#) [60-042022-07P](#) [60-042022-19P](#)
[60-042022-23P](#) [60-042217-10P](#) [0114-201-1278](#) [012-0467-000](#) [602GB06EG24-61SN](#) [0134-201-1207](#) [0134-213-1006](#) [6104-207-2302](#) [6104-](#)
[208-1902](#) [61-168211-04P](#) [61-168617-10P](#) [6131-202-19149P](#) [6131-204-21149P](#) [6131-208-13149P](#) [6131-209-17149P](#) [6131-210-11149P](#) [6131-](#)
[211-19149P](#) [6131-216-19149P](#) [6131-259-21149P](#) [6131-259-23149P](#) [6131-265-17149P](#) [6131-265-19149P](#) [CS3100A18-1P-472](#) [CS3100A-36-](#)
[77P](#) [CS3101A-16-55P](#) [CS3102A-10SL-55P](#) [CS3102A-14S-58P](#) [CS3102A-32-17P](#) [CS3102A32-25S](#) [CS3102C18-4P-472](#)
[CS3106A10SL3S004](#) [CS3106A-18-73S](#) [CS3108A-14S-52S](#) [CS3108A-28-51S](#) [6162-233-1277](#) [6162-324-1231](#) [M243082296Z](#)
[M2884010AC1S1](#) [CT0-24-10SC](#) [CT0M20-7PCAU](#) [M28840/17AC1G3](#)