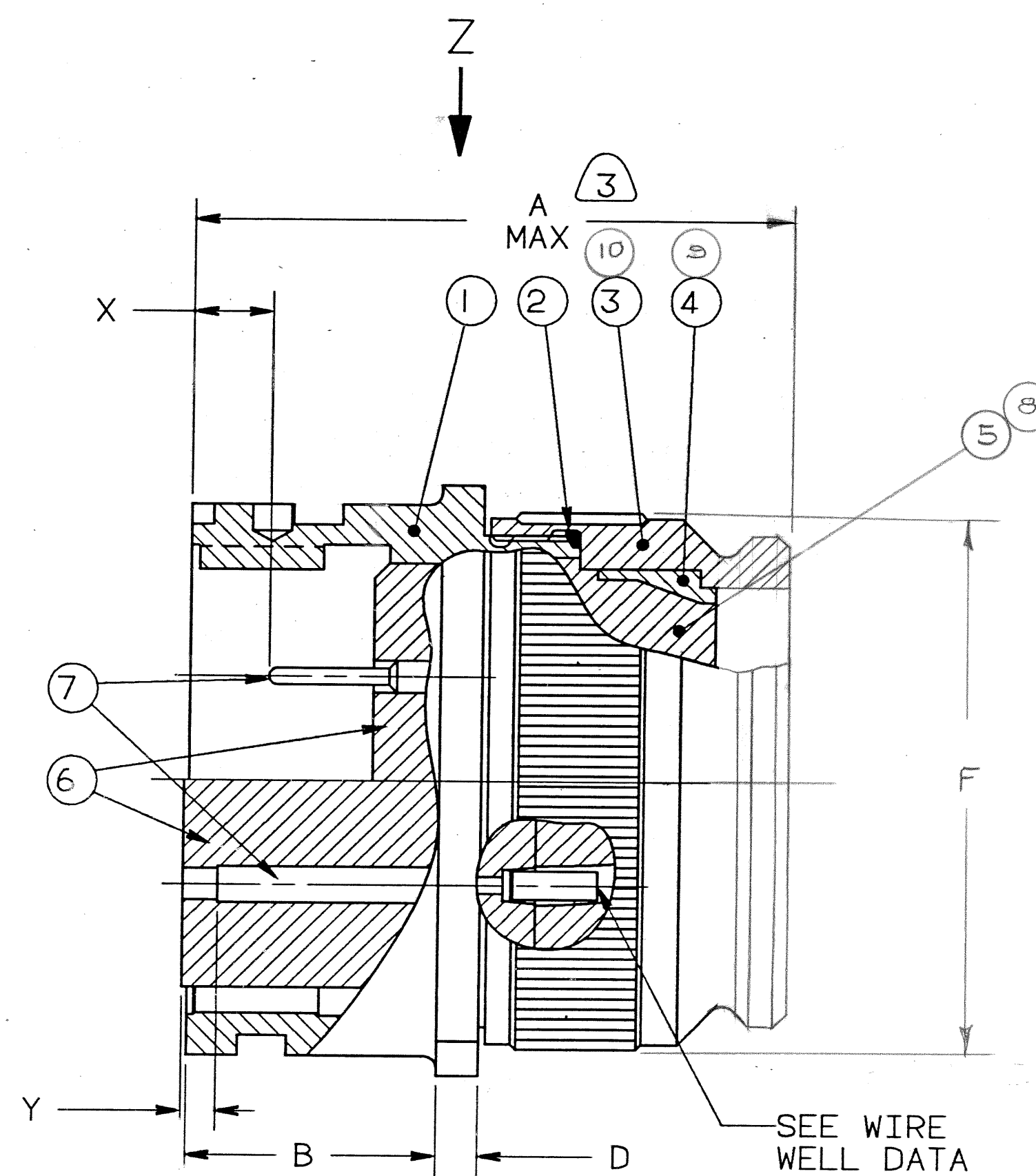
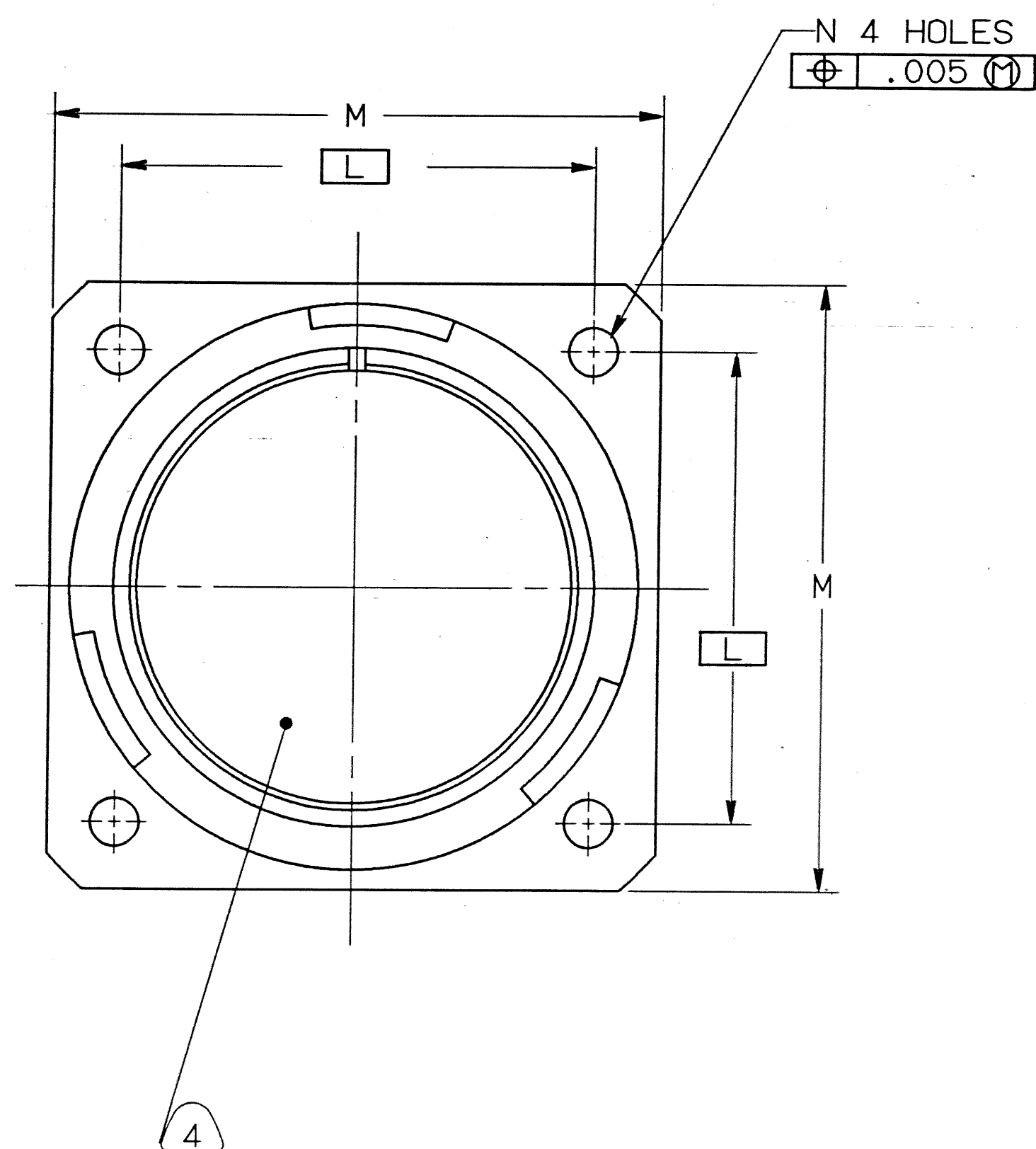


CONTACT SIZE	SHELL SIZE	X	Y ±.040
16 SHORT	10SL, 14S, 16S	.087±.039	.079
16 LONG	14, 16, THRU 40	.260 ⁺ .052 -041	.102
12	14, 16, THRU 40	.118 ⁺ .039 -039	.102
4,8,0	14, 16, THRU 40	.091±.039	.102

REVISIONS				
ZONE	LTR	DESCRIPTION	DATE	APPROVED
	B	REDRAWN SEE RECORD DWG ECN:	9-23-92 SNYDER	
	C	(CLII) SEE ECN 27941	7-28-93 SNYDER	
	D	(CLII) WAS "O" NOTE 13,750 WELL DEPTH ECN:28347	12-21-93 SNYDER	gao



FIND NO.	QTY RECD.	FSCM NO.	PART NUMBER	DESCRIPTION	NOTE REF.
10	1		10-581820-XX3	NUT	3,13
9	1		10-581819-XX1	SLEEVE	13
8	1		SEE COLUMN	GROMMET	12,13
7		SEE NOTE 10		CONTACT	
6	1		10-748XX-XXX	INSERT	
5	1		10-607XX-XX	GROMMET	
4	1		10-564869-XX	SLEEVE	
3	1		10-564868-XX3	NUT	3
2	1		10-101379-XX1	GASKET	9
1	1		SEE COLUMN	SHELL	

PARTS LIST					
PREPARED	SIGNATURES	DATES	AMPHENOL CORPORATION BENDIX CONNECTOR OPERATIONS SIDNEY, N.Y.		
PREPARED SNYDER		6/20/92	CONNECTOR, ELECTRICAL RECEPTACLE, REAR PANEL MOUNT, REVERSE BAYONET COUPLING, TYPE GTC030R V(1)-(1) SOLDERLESS		
CHECKED MATERIAL		4/20/92			
APPROVED			SIZE	FICM NO.	REV.
APPROVED D. MACAVOY		6-20-92	D	77820	71-581560/579
1ST PART NO.			SCALE	REF	SHEET
71-581570-155			NONE	N/A	1 OF 2

SEE SHEET 2
NOTES:

THE USE OF THIS DOCUMENT IS UNLIMITED. HOWEVER, DOCUMENTS REFERENCED HEREON MAY CONTAIN LIMITED RIGHTS DATA.

COMPANY ID: 2
CODED/MS/CUST: Y
INTERNAL: N
LOTNO: N
DATE CODE: 9-3895
SEE PRINT: N

N/A
N/A
NEXT ASSEMBLY

UNLESS OTHERWISE SPECIFIED
LINEAR DIMENSIONS ARE IN INCHES.
TOLERANCES: .XXX±.010,
.XX ±.03, .X ±.1, ANGLES ±2°.
OTHER STANDARDS PER 9-3800
AND DDD-D-1000. NOTE REF= (XX)

COMPUTER GENERATED DRAWING

00000001

01653

TAB.

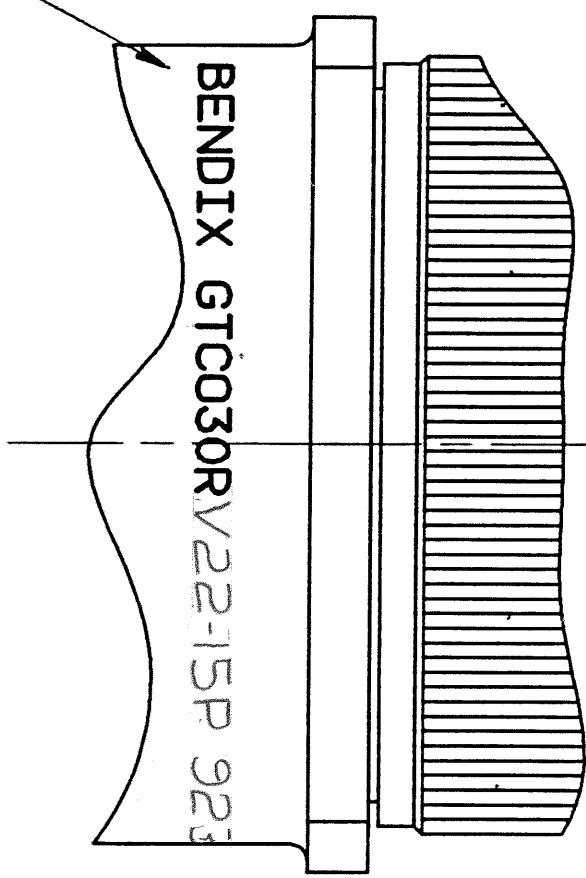
71-581560/579B

8	7	6	5	4	3	2	1				
ASSEMBLY NUMBER	SHELL SIZE	GT NUMBER	SHELL	A MAX	B +.016 -.000	D ±.008	F DIA MAX	M ±.012	N DIA +.004 -.000	GROMMET	
71-581560-()	8S	NOT AVAILABLE									
71-581561-()	10S	NOT AVAILABLE									
71-581562-()	10SL	GTC030RV10SL-()	10-580713-113	1.890	.717	.110	.787	.717	1.000	.126	10-581825-()
71-581563-()	12S	NOT AVAILABLE									
71-581564-()	12	NOT AVAILABLE									
71-581565-()	14S	GTC030RV14S-()	10-580713-143	1.890	.717	.126	.945	.906	1.181	.126	10-581827-()
71-581566-()	14	NOT AVAILABLE									
71-581567-()	16S	GTC030RV16S-()	10-580713-163	1.890	.717	.126	1.024	.969	1.280	.126	10-581829-()
71-581568-()	16	GTC030RV16-()	10-580713-173	2.205	.846	.126	1.024	.969	1.280	.126	10-581830-()
71-581569-()	18	GTC030RV18-()	10-580713-183	2.244	.907	.157	1.161	1.063	1.378	.126	10-581831-()
71-581570-()	20	GTC030RV20-()	10-580713-203	2.			1.299	1.157	1.496	.126	10-581832-()
71-581571-()	22	GTC030RV22-()	10-580713-223	2.			1.417	1.252	1.614	.126	10-581833-()
71-581572-()	24	GTC030RV24-()	10-580713-243	2.			1.575	1.374	1.752	.146	10-581834-()
71-581573-()	28	GTC030RV28-()	10-580713-283	2.	.947		1.811	1.563	2.000	.146	10-581835-()
71-581574-()	32	GTC030RV32-()	10-580713-323	2.362			2.028	1.752	2.244	.169	10-581836-()
71-581575-()	36	GTC030RV36-()	10-580713-363	3.			2.283	1.937	2.500	.169	10-581837-()
71-581576-()	40	GTC030RV40-()	10-580713-403	3.			2.539	2.185	2.752	.169	10-581838-()
71-581577/579		NOT AVAILABLE									

TO COMPLETE, ADD APPLICABLE INSERT ARRANGEMENT SUFFIX PER 9-2437

WIRE WELL DATA						
CONTACT SIZE	0	4	8	12	16	16M
WELL DIA	.453±.005	.281 ±.005 -.004	.179 ±.004 -.002	.098 ±.004 -.000	.063 ±.004 -.000	.063 ±.004 -.000
WELL DEPTH	+.031 -.000	.592	.500	.500	.250	.250

BLACK INK STAMP PER 9-3856-5
"BENDIX", GT NUMBER (SEE COLUMN)
& DATE CODE (9-3895).
CHARACTERS TO BE .094-.125 HIGH.
AND LOCATED APPROX IN LINE
WITH BLUE DOT ON SHELL
EXAMPLE:
BENDIX GTC030RV22-15P 9239



VIEW AT Z

- UNITS MEET THE APPLICABLE REQUIREMENTS OF MIL-C-5015.
- FOR CONTACT SIZE, SPACING & SERVICE RATING, SEE MIL-STD-1651 OR L-11908-()/L-11948-().
- DRAWING ILLUSTRATES FINAL ASSEMBLY. FOR STORAGE & SHIPPING, ADAPTER MUST BE LOOSELY COUPLED. CONTACTS ARE SHIPPED UNASSEMBLED.
- INSERTS ARE NOT REMOVABLE.
- PROCESS SPEC:
ASSY 9-9238
TEST 9-3106-18
9-3856-5, 9-3895, 9-2437, 9-1936
- SEE WORK ORDER FOR PERMISSIBLE ADDITIONAL OR ALTERNATE STAMPING.
- FOR MATING CONNECTOR ASSEMBLIES, SEE 71-580450/469 & OTHERS.

- FOR FINAL INSTALLATION, CONTACTS MUST BE ASSEMBLED INTO ALL INSERT HOLES. ALL UNUSED GROMMET HOLES MUST BE FILLED WITH THE APPROPRIATE SIZE SEALING PLUG.
- APPLY A LIGHT FILM OF LUBRICANT 9-1936 TO GASKET.
- SEE SEPARATE PARTS LIST FOR COMPONENT PART NUMBERS AND QUANTITIES.
- PACKAGE PER PRODUCTION PROCESS SHEET.
- TO COMPLETE INDICATED GROMMET PART NO., ADD APPLICABLE ARRANGEMENT SUFFIX.
- INDICATED ITEMS, F/Ns 8, 9 & 10 ARE APPLICABLE TO ARRANGEMENTS CONTAINING CONTACT SIZES 4 & 8.
- INDICATED ITEMS, F/Ns 3, 4 & 5 ARE APPLICABLE TO ARRANGEMENTS CONTAINING CONTACTS OTHER THAN THOSE SPECIFIED IN NOTE 13.

NOTES:
THE USE OF THIS DOCUMENT IS UNLIMITED. HOWEVER, DOCUMENTS REFERENCED HEREON MAY CONTAIN LIMITED RIGHTS DATA.

X-ON Electronics

Largest Supplier of Electrical and Electronic Components

Click to view similar products for [Circular MIL Spec Connector](#) category:

Click to view products by [Amphenol](#) manufacturer:

Other Similar products are found below :

[89075GULPR](#) [0025-262-542](#) [0025-264-3014](#) [58-570121-04S](#) [0134-213-1208](#) [0134-213-2209](#) [0025-258-000](#) [60-042022-07P](#) [60-042022-19P](#)
[60-042022-23P](#) [60-042217-10P](#) [0114-201-1278](#) [012-0467-000](#) [602GB06EG24-61SN](#) [0134-201-1207](#) [0134-213-1006](#) [6104-207-2302](#) [6104-](#)
[208-1902](#) [61-168211-04P](#) [61-168617-10P](#) [6131-202-19149P](#) [6131-204-21149P](#) [6131-208-13149P](#) [6131-209-17149P](#) [6131-210-11149P](#) [6131-](#)
[211-19149P](#) [6131-216-19149P](#) [6131-259-21149P](#) [6131-259-23149P](#) [6131-265-17149P](#) [6131-265-19149P](#) [CS3100A18-1P-472](#) [CS3100A-36-](#)
[77P](#) [CS3101A-16-55P](#) [CS3102A-10SL-55P](#) [CS3102A-14S-58P](#) [CS3102A-32-17P](#) [CS3102A32-25S](#) [CS3102C18-4P-472](#)
[CS3106A10SL3S004](#) [CS3106A-18-73S](#) [CS3108A-14S-52S](#) [CS3108A-28-51S](#) [6162-233-1277](#) [6162-324-1231](#) [M243082296Z](#)
[M2884010AC1S1](#) [CT0-24-10SC](#) [CT0M20-7PCAU](#) [M28840/17AC1G3](#)