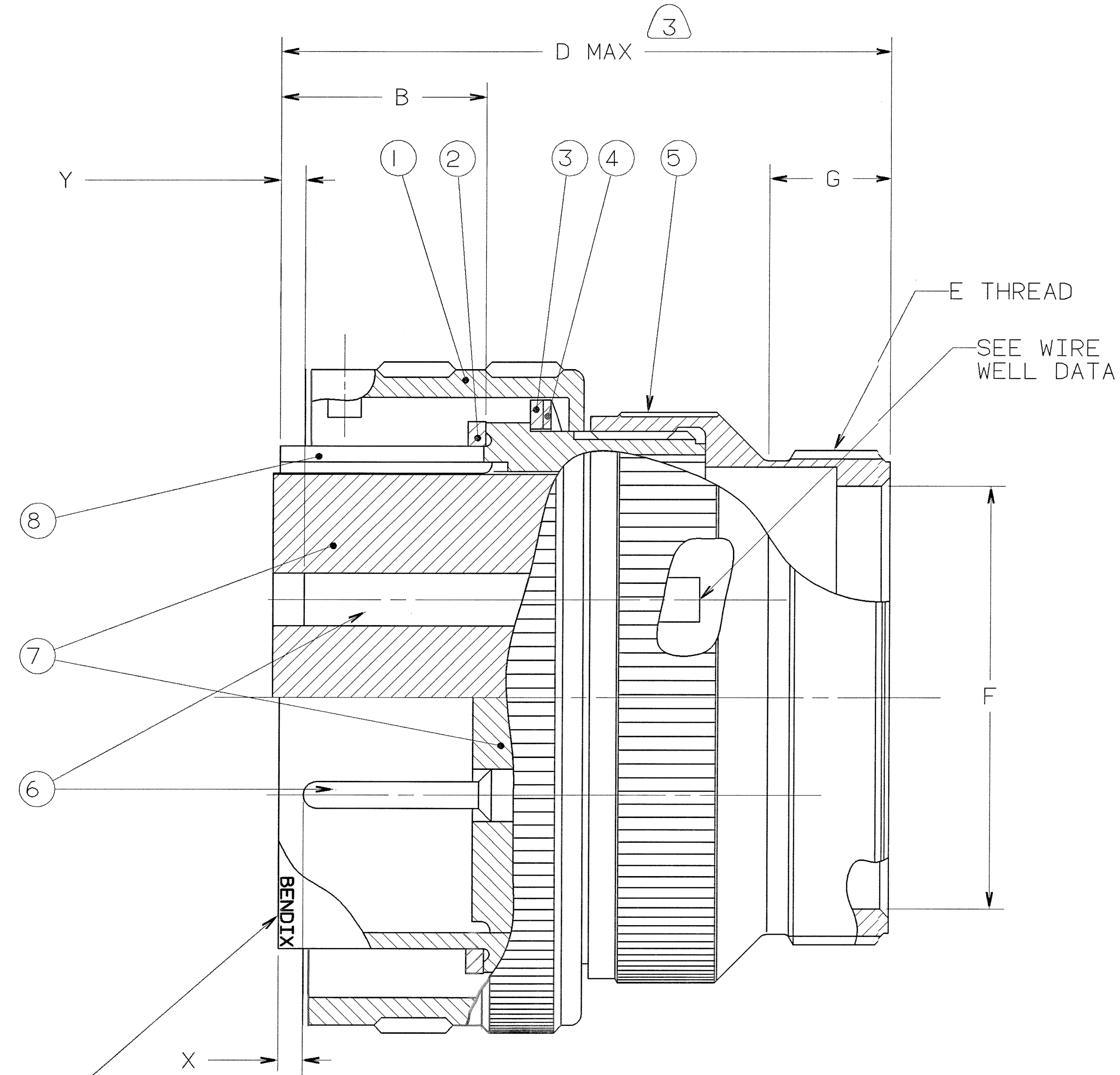
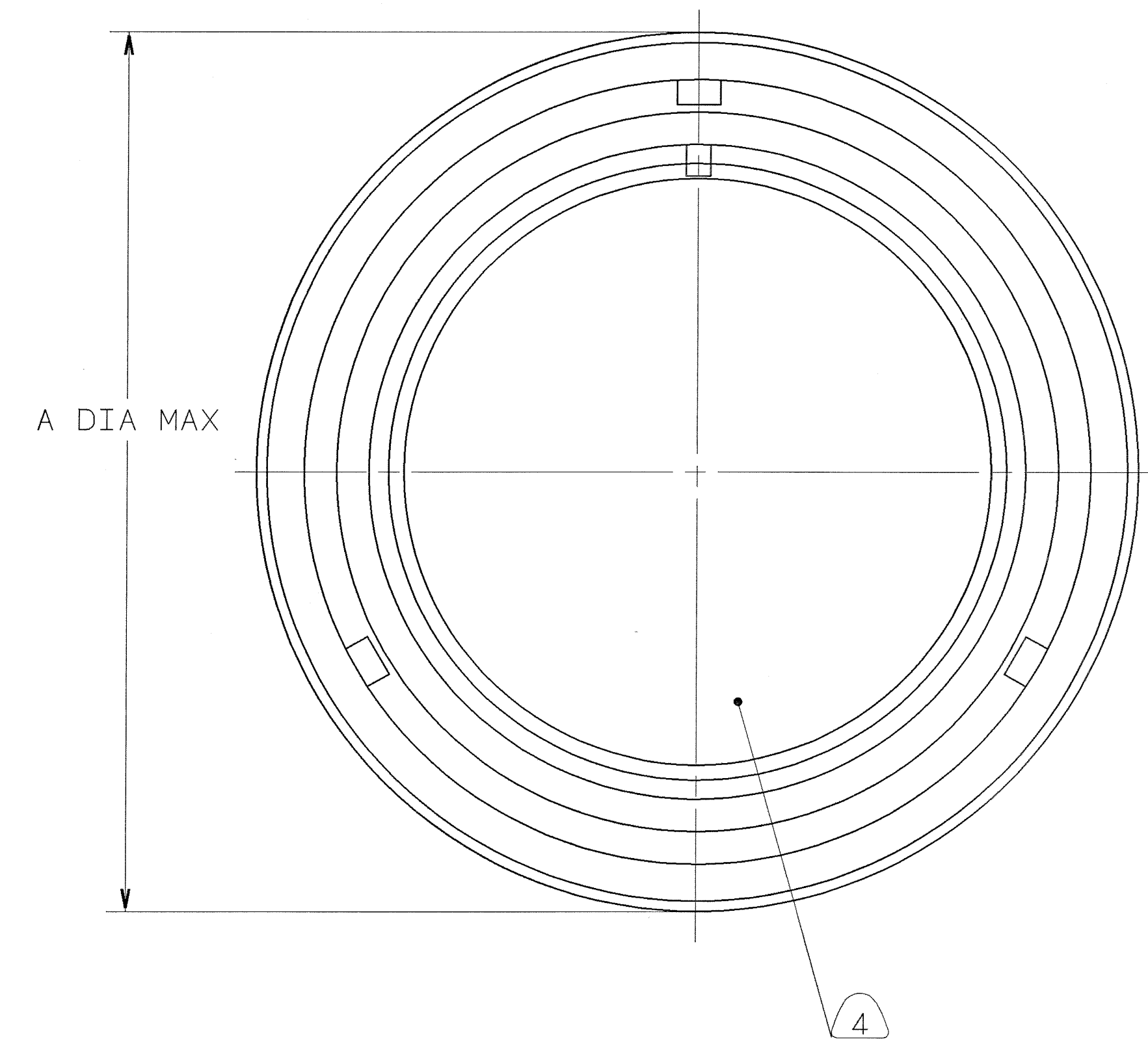


CONTACT SIZE	SHELL SIZE	X	Y ±.040
16 SHORT	10SL, 14S, 16S	.087±0.039	.079
16 LONG	16 THRU 36	.260 ⁺ .052 -.041	.102
12	16 THRU 36	.118 ⁺ .039 -.056	.102
4,8,0	16 THRU 36	.091±.039	.102



REVISIONS				
ZONE	LTR	DESCRIPTION	DATE	APPROVED
A		INITIAL RELEASE NUM: 70091-026		
B		(CLII) SEE ECN 27845	3-19-92	[Signature]

BLACK INK STAMP PER 9-3856-5 "BENDIX", GT NUMBER (SEE COLUMN) & DATE CODE (9-3895) CHARACTERS TO BE .062-094 HIGH.
EXAMPLE:
BENDIX GTC06A24-2P 8944

FIND NO.	QTY REQD.	FSCM NO.	PART NUMBER	DESCRIPTION	NOTE REF.
8	1		SEE COLUMN	SHELL	
7	1		10-748XX-XXX	INSERT	
6			SEE NOTE 9	CONTACT	
5	1		10-564867-XX3	ADAPTER	3
4	1		10-564859-XX	WAVED, WASHER	
3	1		10-564860-XX	WASHER, SKID	
2	1		10-564843-XX1	GASKET	
1	1		10-564856-XX3	COUPLING NUT	

SEE SHEET 2.
NOTES:

THE USE OF THIS DOCUMENT IS UNLIMITED. HOWEVER, DOCUMENTS REFERENCED HEREON MAY CONTAIN LIMITED RIGHTS DATA.

COMPANY ID: 2
CODED/MS/CUST: Y
INTERNAL: N
LOTNO: N
DATE CODE: 9-3895
SEE PRINT: N

UNLESS OTHERWISE SPECIFIED
LINEAR DIMENSIONS ARE IN INCHES.
TOLERANCES: .XXX±.010.
.XX ±.03. .X ±.1, ANGLES ±2°.
OTHER STANDARDS PER 9-3800
AND DOD-D-1000. NOTE REF= (XX)

PARTS LIST				SIGNATURES		DATES	
SPECIFICATIONS		PREPARED	MCELLIGOTT	01/04/91	AMPHENOL CORPORATION BENDIX CONNECTOR OPERATIONS SIDNEY, N.Y.		
MATERIAL SPEC.	N/A	CHECKED	[Signature]	1-17-91	CONNECTOR, ELECTRICAL, PLUG, REVERSE BAYONET COUPLING, TYPE GTC06A()-(), SOLDERLESS		
PROCESS SPEC.	SEE NOTE 5	APPROVED	[Signature]	1-17-91	SIZE	FSCM NO.	
		1ST PART NO	71-581222-02P	SCALE	NONE	REF	71-580450/469

ASSEMBLY NUMBER	SHELL SIZE	GT NUMBER	SHELL	A DIA MAX	B ±.005	D MAX	E THREAD -2A	F DIA MIN	G MIN
71-581220-()	8S	NOT AVAILABLE							
71-581221-()	10S	NOT AVAILABLE							
71-581222-()	10SL	GTC06A10SL-()	10-580915-113	.897	.531	1.969	.6250-24 UNEF	.409	.374
71-581223-()	12S	NOT AVAILABLE							
71-581224-()	12	NOT AVAILABLE							
71-581225-()	14S	GTC06A14S-()	10-37266-14	1.150	.531	1.969	.7500-20 UNEF	.520	.374
71-581226-()	14	NOT AVAILABLE							
71-581227-()	16S	GTC06A16S-()	10-37266-16	1.300	.531	1.969	.8750-20 UNEF	.638	.374
71-581228-()	16	GTC06A16-()	10-37266-17	1.300	.719	2.362	.8750-20 UNEF	.638	.374
71-581229-()	18	GTC06A18-()	10-37266-18	1.437		2.362	1.0000-20 UNEF	.756	.374
71-581230-()	20	GTC06A20-()	10-37266-20	1.571		2.362	1.1875-18 UNEF	.866	.374
71-581231-()	22	GTC06A22-()	10-37266-22	1.697		2.362	1.1875-18 UNEF	.965	.374
71-581232-()	24	GTC06A24-()	10-37266-24	1.835		2.560	1.4375-18 UNEF	1.094	.374
71-581233-()	28	GTC06A28-()	10-37266-28	2.102		2.560	1.4375-18 UNEF	1.228	.374
71-581234-()	32	GTC06A32-()	10-37266-32	2.366		2.560	1.7500-18 UNS	1.488	.433
71-581235-()	36	GTC06A36-()	10-37266-36	2.610		3.150	2.0000-18 UNS	1.780	.465
71-581236-()	40	GTC06A40-()	10-37266-40	2.850		3.150	2.2500-16 UN	2.016	.465
71-581237/239		NOT AVAILABLE							

TO COMPLETE, ADD APPLICABLE INSERT ARRANGEMENT SUFFIX PER 9-2437

WIRE WELL DATA					
CONTACT SIZE	0	4	8	12	16
WELL DIA	.453±.005	.281 ^{+.005} _{-.004}	.179 ^{+.004} _{-.002}	.098 ^{+.004} _{-.001}	.063 ^{+.004} _{-.001}
WELL DEPTH ^{+.031} _{-.000}	.750	.500	.500	.250	.250

- UNITS MEET THE APPLICABLE REQUIREMENTS OF MIL-C-5015.
- FOR CONTACT SIZE, SPACING & SERVICE RATING, SEE MIL-STD-1651 OR L-11908-()/L-11948-().
- DRAWING ILLUSTRATES FINAL ASSEMBLY. FOR STORAGE & SHIPPING, ADAPTER MUST BE LOOSELY COUPLED. CONTACTS ARE SHIPPED UNASSEMBLED.
- INSERTS ARE NOT REMOVABLE.
- PROCESS SPEC:
ASSY 9-9238
TEST 9-3106-18
9-3856-5, 9-3895, 9-2437
- SEE WORK ORDER FOR PERMISSIBLE ADDITIONAL OR ALTERNATE STAMPING.
- FOR MATING CONNECTOR ASSEMBLIES, SEE 71-580960/979 & OTHERS.
- FOR FINAL INSTALLATION, CONTACTS MUST BE ASSEMBLED INTO ALL INSERT HOLES.
- SEE SEPARATE PARTS LIST FOR COMPONENT PART NUMBERS AND QUANTITIES.
- PACKAGE PER PRODUCTION PROCESS SHEET.

NOTES:

THE USE OF THIS DOCUMENT IS UNLIMITED. HOWEVER, DOCUMENTS REFERENCED HEREON MAY CONTAIN LIMITED RIGHTS DATA.

SIZE	FSCM NO.	REV.
D	77820	B
SCALE	WT.	REF.
		SHEET 2

71-581220/239B

X-ON Electronics

Largest Supplier of Electrical and Electronic Components

Click to view similar products for [Circular MIL Spec Connector](#) category:

Click to view products by [Amphenol](#) manufacturer:

Other Similar products are found below :

[0025-262-542](#) [0025-264-3014](#) [58-570121-04S](#) [0134-202-1200](#) [0134-207-1206](#) [0134-207-1800](#) [0134-207-2207](#) [0134-213-0806](#) [0134-213-1007](#) [0134-213-1009](#) [0134-213-1208](#) [0134-213-1800](#) [0134-213-2209](#) [0025-258-000](#) [015-9516-002](#) [60-042722-19P](#) [0114-201-1278](#) [602GB06EG24-61SN](#) [0134-201-1207](#) [0134-201-1806](#) [0134-201-2006](#) [0134-201-2007](#) [0134-201-2010](#) [0134-202-1400](#) [0134-207-0809](#) [0134-207-1208](#) [0134-207-2009](#) [0134-213-1006](#) [6104-207-2302](#) [6104-208-1902](#) [6131-202-19149P](#) [6131-204-21149P](#) [6131-207-13149P](#) [6131-208-13149P](#) [6131-209-17149P](#) [6131-210-11149P](#) [6131-211-19149P](#) [6131-216-19149P](#) [6131-220-25149P](#) [6131-259-11149P](#) [6131-259-21149P](#) [6131-259-23149P](#) [6131-263-19149P](#) [6131-265-17149P](#) [6131-265-19149P](#) [CS3102A-20-15P](#) [CS3102A-20-15S](#) [CS3102C18-4P-472](#) [CS3106A-20-29P](#) [CS3106A-20-74P](#)