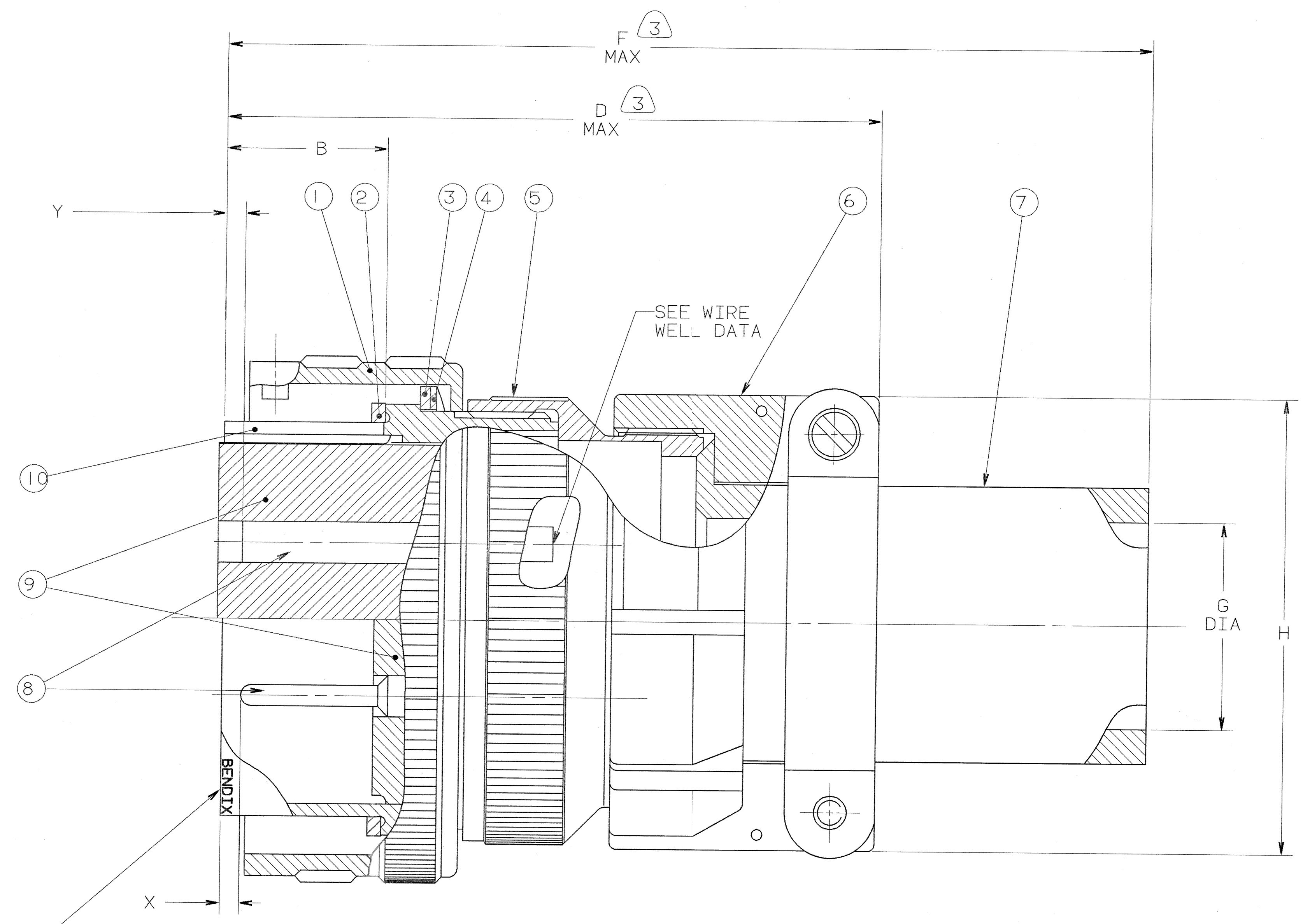
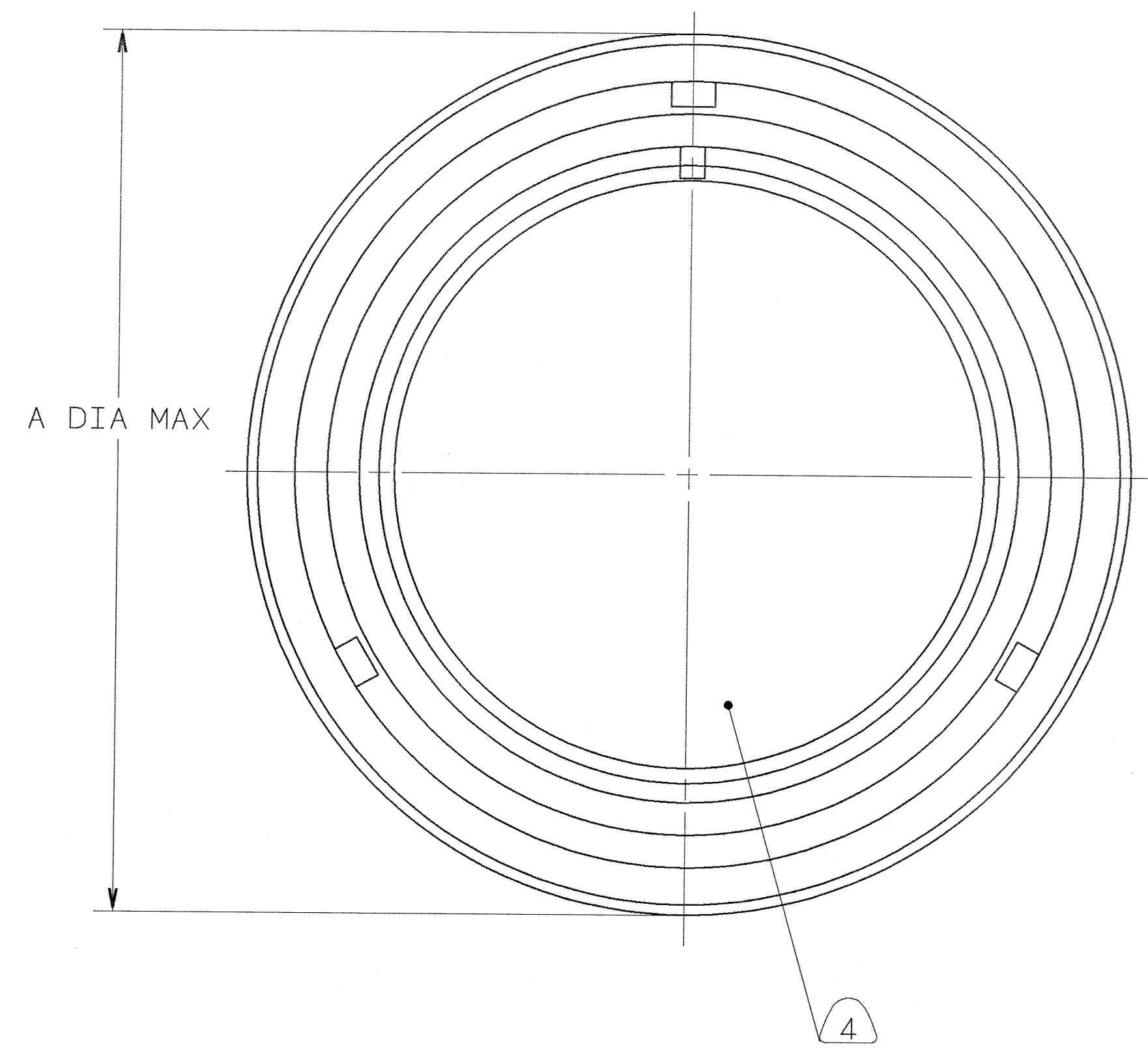


		REVISIONS	
ZONE	LTR	DESCRIPTION	DATE
A		INITIAL RELEASE NUM: 70089-323	
B		(CLII) SEE ECN 27245	7-19-93 FBI/OK

CONTACT SIZE	SHELL SIZE	X	Y ±.040
16 SHORT	10SL, 14S, 16S	.087±.039	.079
16 LONG	16 THRU 36	.260 ⁺ .052 -.041	.102
12	16 THRU 36	.118 ⁺ .039 -.056	.102
4,8,0	16 THRU 36	.091±.039	.102



BLACK INK STAMP PER 9-3856-5 "BENDIX", GT NUMBER (SEE COLUMN) & DATE CODE (9-3895) CHARACTERS TO BE .062-.094 HIGH.
 EXAMPLE:
 BENDIX GTC06AF24-2P 8944

FIND NO.	QTY REQD.	FSCM NO.	PART NUMBER	DESCRIPTION	NOTE REF.
10	1		SEE COLUMN	SHELL	
9	1		10-748XX-XXX	INSERT	
8			SEE NOTE 9	CONTACT	
7	1		SEE COLUMN	SLEEVE	
6	1		SEE COLUMN	CABLE CLAMP	3
5	1		10-564867-XX3	ADAPTER	3
4	1		10-564859-XX	WAVED, WASHER	
3	1		10-564860-XX	WASHER, SKID	
2	1		10-564843-XX1	GASKET	
1	1		10-564856-XX3	COUPLING NUT	

SEE SHEET 2.
 NOTES:

THE USE OF THIS DOCUMENT IS UNLIMITED. HOWEVER, DOCUMENTS REFERENCED HEREON MAY CONTAIN LIMITED RIGHTS DATA.

COMPANY ID:	2
CODED/MS/CUST:	Y
INTERNAL:	N
LOTNO:	N
DATE CODE:	9-3895
SEE PRINT:	N
N/A	
N/A	
NEXT ASSEMBLY	

UNLESS OTHERWISE SPECIFIED
 LINEAR DIMENSIONS ARE IN INCHES.
 TOLERANCES: .XXX±.010,
 .XX ±.03, .X ±.1, ANGLES ±2°.
 OTHER STANDARDS PER 9-3800
 AND DOD-D-1000. NOTE REF= (XX)

SPECIFICATIONS	SIGNATURES	DATES	PARTS LIST
MATERIAL SPEC. N/A	PREPARED: B. VIANO CHECKED: [Signature] MATERIAL: [Signature] APPROVED: [Signature]	11/20/89 11/20/89 12-1-89 12-1-89	AMPHENOL CORPORATION BENDIX CONNECTOR OPERATIONS SIDNEY, N.Y. CONNECTOR, ELECTRICAL, PLUG, REVERSE BAYONET COUPLING, TYPE GTC06AF(-), SOLDERLESS
PROCESS SPEC. SEE NOTE 5			SIZE: D 77820 SCALE: NONE WT: [Blank] REF: 71-580450/469

ASSEMBLY NUMBER	SHELL SIZE	GT NUMBER	SHELL	CABLE CLAMP	SLEEVE	A DIA MAX	B ±.005	D MAX	F MAX	G DIA NOMINAL	H MAX
71-580830-()	8S	NOT AVAILABLE									
71-580831-()	10S	NOT AVAILABLE									
71-580832-()	10SL	GTC06AF10SL-()	10-580915-113	10-824810- 4	10-824802- 4	.897	.531	2.362	4.724	.220	.894
71-580833-()	12S	NOT AVAILABLE									
71-580834-()	12	NOT AVAILABLE									
71-580835-()	14S	GTC06AF14S-()	10-37266-14	- 7	- 6	1.150	.531	2.441	4.724	.312	1.083
71-580836-()	14	NOT AVAILABLE									
71-580837-()	16S	GTC06AF16S-()	10-37266-16	- 8	- 8	1.300	.531	2.756	4.724	.437	1.181
71-580838-()	16	GTC06AF16-()	10-37266-17	- 8	- 8	1.300	.719	2.756	4.921	.437	1.181
71-580839-()	18	GTC06AF18-()	10-37266-18	-10	-10	1.437		3.032		.562	1.299
71-580840-()	20	GTC06AF20-()	10-37266-20	-12	-12	1.571		3.032		.625	1.485
71-580841-()	22	GTC06AF22-()	10-37266-22	-12	-12	1.697		3.032		.625	1.485
71-580842-()	24	GTC06AF24-()	10-37266-24	-16	-16	1.835		3.346		.750	1.750
71-580843-()	28	GTC06AF28-()	10-37266-28	-16	-16	2.102		3.346		.750	1.750
71-580844-()	32	GTC06AF32-()	10-37266-32	-20	-20	2.366		3.346		.937	2.061
71-580845-()	36	GTC06AF36-()	10-37266-36	-24	-24	2.610		4.134	5.315	1.250	2.283
71-580846-()	40	NOT AVAILABLE									
71-580847/849		NOT AVAILABLE									

TO COMPLETE, ADD APPLICABLE INSERT ARRANGEMENT SUFFIX PER 9-2437

WIRE WELL DATA					
CONTACT SIZE	0	4	8	12	16
WELL DIA	.453±.005	.281 +.005 -.004	.179 +.004 -.002	.098 +.004 -.001	.063 +.004 -.001
WELL DEPTH	+.031 -.000	.750	.500	.500	.250

7. FOR MATING CONNECTOR ASSEMBLIES, SEE 71-580960/979 & OTHERS.
6. SEE WORK ORDER FOR PERMISSIBLE ADDITIONAL OR ALTERNATE STAMPING.
5. PROCESS SPEC:
ASSY 9-9238
TEST 9-3106-18
9-3856-5, 9-3895, 9-2437
4. INSERTS ARE NOT REMOVABLE.
3. DRAWING ILLUSTRATES FINAL ASSEMBLY. FOR STORAGE & SHIPPING, ADAPTER, & CLAMP ASSEMBLY MUST BE LOOSELY COUPLED. CONTACTS & SLEEVE ARE SHIPPED UNASSEMBLED.
2. FOR CONTACT SIZE, SPACING & SERVICE RATING, SEE MIL-STD-1651 OR L-11908-()/L-11948-().
1. UNITS MEET THE APPLICABLE REQUIREMENTS OF MIL-C-5015.
10. PACKAGE PER PRODUCTION PROCESS SHEET.
9. SEE SEPARATE PARTS LIST FOR COMPONENT PART NUMBERS AND QUANTITIES.
8. FOR FINAL INSTALLATION, CONTACTS MUST BE ASSEMBLED INTO ALL INSERT HOLES.

NOTES:

THE USE OF THIS DOCUMENT IS UNLIMITED. HOWEVER, DOCUMENTS REFERENCED HEREON MAY CONTAIN LIMITED RIGHTS DATA.

SIZE	FSCM NO.	71-580830/849	REV.	B
D	77820			
SCALE	WT.	REF.	SHEET	2

71-580830/849 B

X-ON Electronics

Largest Supplier of Electrical and Electronic Components

Click to view similar products for [Circular MIL Spec Connector](#) category:

Click to view products by [Amphenol](#) manufacturer:

Other Similar products are found below :

[0025-262-542](#) [0025-264-3014](#) [58-570121-04S](#) [0134-202-1200](#) [0134-207-1206](#) [0134-207-1800](#) [0134-207-2207](#) [0134-213-0806](#) [0134-213-1007](#) [0134-213-1009](#) [0134-213-1208](#) [0134-213-1800](#) [0134-213-2209](#) [0025-258-000](#) [015-9516-002](#) [60-042722-19P](#) [0114-201-1278](#) [602GB06EG24-61SN](#) [0134-201-1207](#) [0134-201-1806](#) [0134-201-2006](#) [0134-201-2007](#) [0134-201-2010](#) [0134-202-1400](#) [0134-207-0809](#) [0134-207-1208](#) [0134-207-2009](#) [0134-213-1006](#) [6104-207-2302](#) [6104-208-1902](#) [6131-202-19149P](#) [6131-204-21149P](#) [6131-207-13149P](#) [6131-208-13149P](#) [6131-209-17149P](#) [6131-210-11149P](#) [6131-211-19149P](#) [6131-216-19149P](#) [6131-220-25149P](#) [6131-259-11149P](#) [6131-259-21149P](#) [6131-259-23149P](#) [6131-263-19149P](#) [6131-265-17149P](#) [6131-265-19149P](#) [CS3102A-20-15P](#) [CS3102A-20-15S](#) [CS3102C18-4P-472](#) [CS3106A-20-29P](#) [CS3106A-20-74P](#)