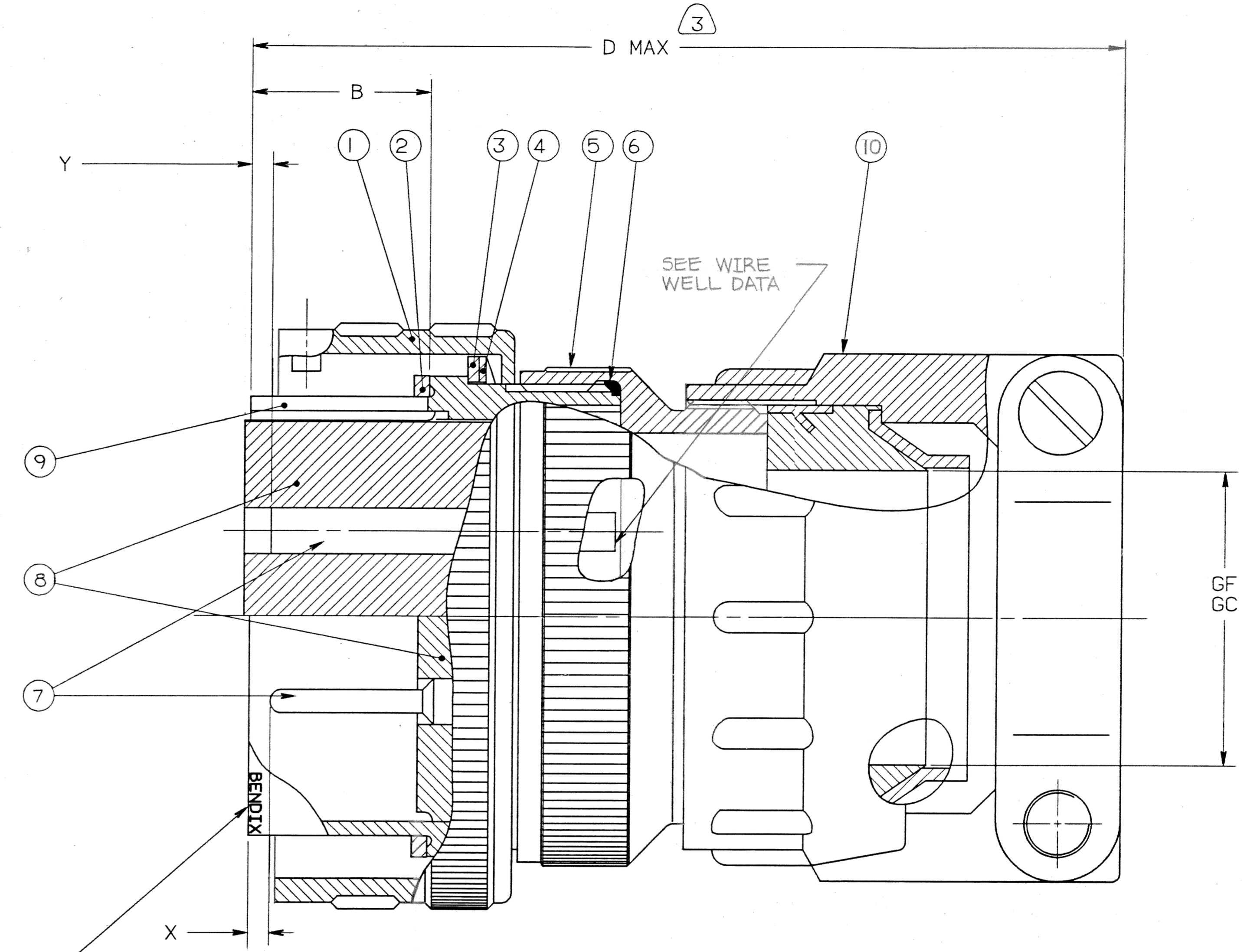
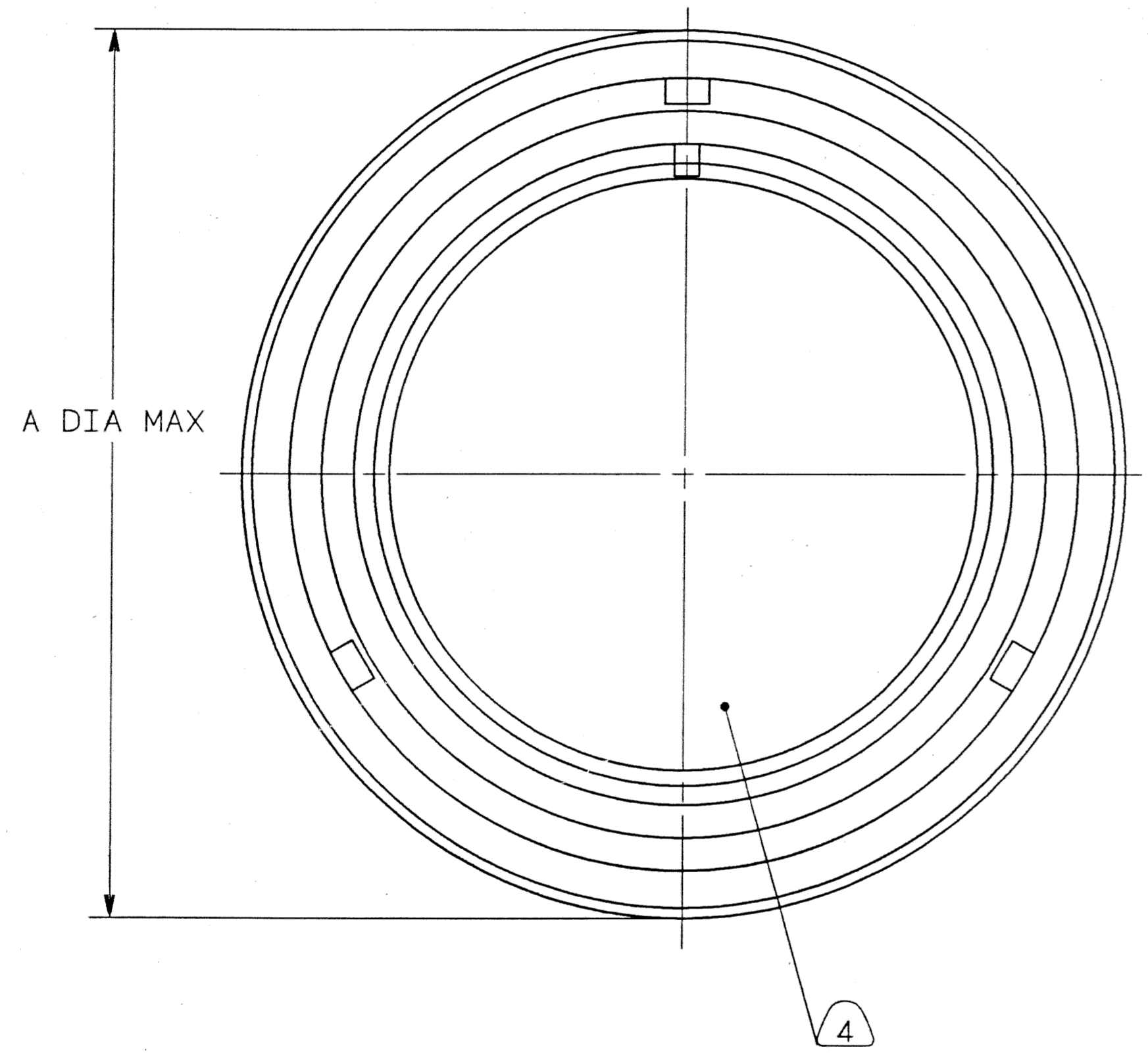


REVISIONS				
ZONE	LTR	DESCRIPTION	DATE	APPROVED
A		INITIAL RELEASE NUMBER RLSE: 70091-109		
B		(CLII) SEE ECN 27845	7-20-93	<i>R. Prescott</i>
C		(CLII) WAS 10-580928 (10-564867) ECN: 28515	6-10-94	<i>R. Prescott</i>

CONTACT SIZE	SHELL SIZE	X	Y ±.040
16 SHORT	10SL, 14S, 16S	.087±.039	.079
16 LONG	16 THRU 40	.260 ⁺ .052 .041	.102
12	16 THRU 40	.118 ⁺ .039 .056	.102
4,8,0	16 THRU 40	.091±.039	.102



BLACK INK STAMP PER 9-3856-5 "BENDIX", GT NUMBER (SEE COLUMN) & DATE CODE (9-3895) CHARACTERS TO BE .062-.094 HIGH.
EXAMPLE:
BENDIX GIC06CF22-15P 9052

ITEM	QTY	DESCRIPTION	REF.
10	1	SEE COLUMN	CABLE CLAMP
9	1	SEE COLUMN	SHELL
8	1	10-748XX-XXX	INSERT
7		SEE NOTE 10	CONTACT
6	1	10-101379-XX1	GASKET
5	1	10-564867-XX3	ADAPTER
4	1	10-564859-XX	WAVED, WASHER
3	1	10-564860-XX	WASHER, SKID
2	1	10-564843-XX1	GASKET
1	1	10-564856-XX3	COUPLING NUT

SEE SHEET 2.
NOTES:

THE USE OF THIS DOCUMENT IS UNLIMITED. HOWEVER, DOCUMENTS REFERENCED HEREON MAY CONTAIN LIMITED RIGHTS DATA.

COMPANY ID: 2
CODED/MS/CUST: Y
INTERNAL: N
LOTNO: N
DATE CODE: 9-3895
SEE PRINT: N

UNLESS OTHERWISE SPECIFIED
LINEAR DIMENSIONS ARE IN INCHES.
TOLERANCES: .XXX±.010,
.XX ±.03, .X ±.1, ANGLES ±2°.
OTHER STANDARDS PER 9-3800
AND DOD-D-1000. NOTE REF= XX

FIND NO.	QTY RECD.	FSCM NO.	PART NUMBER	DESCRIPTION	NOTE REF.
SPECIFICATIONS					
MATERIAL SPEC.		SIGNATURES		DATES	
N/A		<i>A. Prescott</i>		2/9/91	
		<i>R. Prescott</i>		4-11-91	
		<i>R. Prescott</i>		4-15-91	
PROCESS SPEC.		APPROVED		DATE	
SEE NOTE 5		<i>R. Prescott</i>		9-89	
		1ST PART NO.		REV	
		71-586455-5P		D 77820 71-586440/459 C	
		SCALE: NONE		REV 1 OF 2	

ASSEMBLY NUMBER	SHELL SIZE	GT NUMBER	SHELL	CABLE CLAMP	A		D REF	GC CLOSED DIA	GF FREE DIA
					DIA MAX	B ±.005			
71-586440-()	8S	NOT AVAILABLE							
71-586441-()	10S	NOT AVAILABLE							
71-586442-()	10SL	GTC06CF10SL-()	10-580915-113	10-350349-123	.897	.531	2.752	.094	.312
71-586443-()	12S	NOT AVAILABLE							
71-586444-()	12	NOT AVAILABLE							
71-586445-()	14S	GTC06CF14S-()	10-37266-14	10-350349-143	1.150	.531	2.898	.230	.438
71-586446-()	14	NOT AVAILABLE							
71-586447-()	16S	GTC06CF16S-()	10-37266-16	10-350349-163	1.260	.531	2.898	.316	.531
71-586448-()	16	GTC06CF16-()	10-37266-17	10-350349-163	1.260	.719	3.216	.316	.531
71-586449-()	18	GTC06CF18-()	10-37266-18	10-350349-183	1.437		3.307	.378	.625
71-586450-()	20	GTC06CF20-()	10-37266-20	10-350349-203	1.571		3.311	.445	.750
71-586451-()	22	GTC06CF22-()	10-37266-22	10-350349-203	1.697		3.350	.445	.750
71-586452-()	24	GTC06CF24-()	10-37266-24	10-350349-243	1.835		3.484	.611	.938
71-586453-()	28	GTC06CF28-()	10-37266-28	10-350349-243	2.102		3.736	.611	.938
71-586454-()	32	GTC06CF32-()	10-37266-32	10-350349-323	2.366		4.142	.922	1.250
71-586455-()	36	GTC06CF36-()	10-37266-36	10-350349-363	2.610		4.390	.922	1.375
71-586456-()	40	GTC06CF40-()	10-37266-40	10-350349-403	2.850		4.614	1.180	1.625
71-586457/459		NOT AVAILABLE							

TO COMPLETE, ADD APPLICABLE INSERT ARRANGEMENT SUFFIX PER 9-2437

WIRE WELL DATA					
CONTACT SIZE	0	4	8	12	16
WELL DIA	.453±.005	.281 +.005 -.004	.179 +.004 -.002	.098 +.004 -.001	.063 +.004 -.001
WELL DEPTH	+ .031 - .000	.750	.500	.500	.250

7. FOR MATING CONNECTOR ASSEMBLIES, SEE 71-580960/979 & OTHERS.
6. SEE WORK ORDER FOR PERMISSIBLE ADDITIONAL OR ALTERNATE STAMPING.
5. PROCESS SPEC:
ASSY 9-9238
TEST 9-3106-18
9-3856-5, 9-3895, 9-2437, 9-1936
4. INSERT IS NOT REMOVABLE.
3. DRAWING ILLUSTRATES FINAL ASSEMBLY. FOR STORAGE & SHIPPING, ADAPTER & CLAMP MUST BE LOOSELY COUPLED.
2. FOR CONTACT SIZE, SPACING & SERVICE RATING, SEE MIL-STD-1651 OR L-11908-()/L-11948-().
1. UNITS MEET THE APPLICABLE REQUIREMENTS OF MIL-C-5015.
10. PACKAGE PER PRODUCTION PROCESS SHEET.
9. SEE SEPARATE PARTS LIST FOR COMPONENT PART NUMBERS AND QUANTITIES.
8. APPLY A LIGHT FILM OF LUBRICANT 9-1936 TO GASKET.

NOTES:

THE USE OF THIS DOCUMENT IS UNLIMITED. HOWEVER, DOCUMENTS REFERENCED HEREON MAY CONTAIN LIMITED RIGHTS DATA.

SIZE	FSCM NO.	REV.
D	77820	71-586440/459
SCALE	WT.	REF.
		SHEET 2

X-ON Electronics

Largest Supplier of Electrical and Electronic Components

Click to view similar products for [Circular MIL Spec Connector](#) category:

Click to view products by [Amphenol](#) manufacturer:

Other Similar products are found below :

[89075GULPR](#) [0025-262-542](#) [0025-264-3014](#) [58-570121-04S](#) [0134-213-1208](#) [0134-213-2209](#) [0025-258-000](#) [60-042022-07P](#) [60-042022-19P](#)
[60-042022-23P](#) [60-042217-10P](#) [0114-201-1278](#) [012-0467-000](#) [602GB06EG24-61SN](#) [0134-201-1207](#) [0134-213-1006](#) [6104-207-2302](#) [6104-](#)
[208-1902](#) [61-168211-04P](#) [61-168617-10P](#) [6131-202-19149P](#) [6131-204-21149P](#) [6131-208-13149P](#) [6131-209-17149P](#) [6131-210-11149P](#) [6131-](#)
[211-19149P](#) [6131-216-19149P](#) [6131-259-21149P](#) [6131-259-23149P](#) [6131-265-17149P](#) [6131-265-19149P](#) [CS3100A18-1P-472](#) [CS3100A-36-](#)
[77P](#) [CS3101A-16-55P](#) [CS3102A-10SL-55P](#) [CS3102A-14S-58P](#) [CS3102A-32-17P](#) [CS3102A32-25S](#) [CS3102C18-4P-472](#)
[CS3106A10SL3S004](#) [CS3106A-18-73S](#) [CS3108A-14S-52S](#) [CS3108A-28-51S](#) [6162-233-1277](#) [6162-324-1231](#) [M243082296Z](#)
[M2884010AC1S1](#) [CT0-24-10SC](#) [CT0M20-7PCAU](#) [M28840/17AC1G3](#)