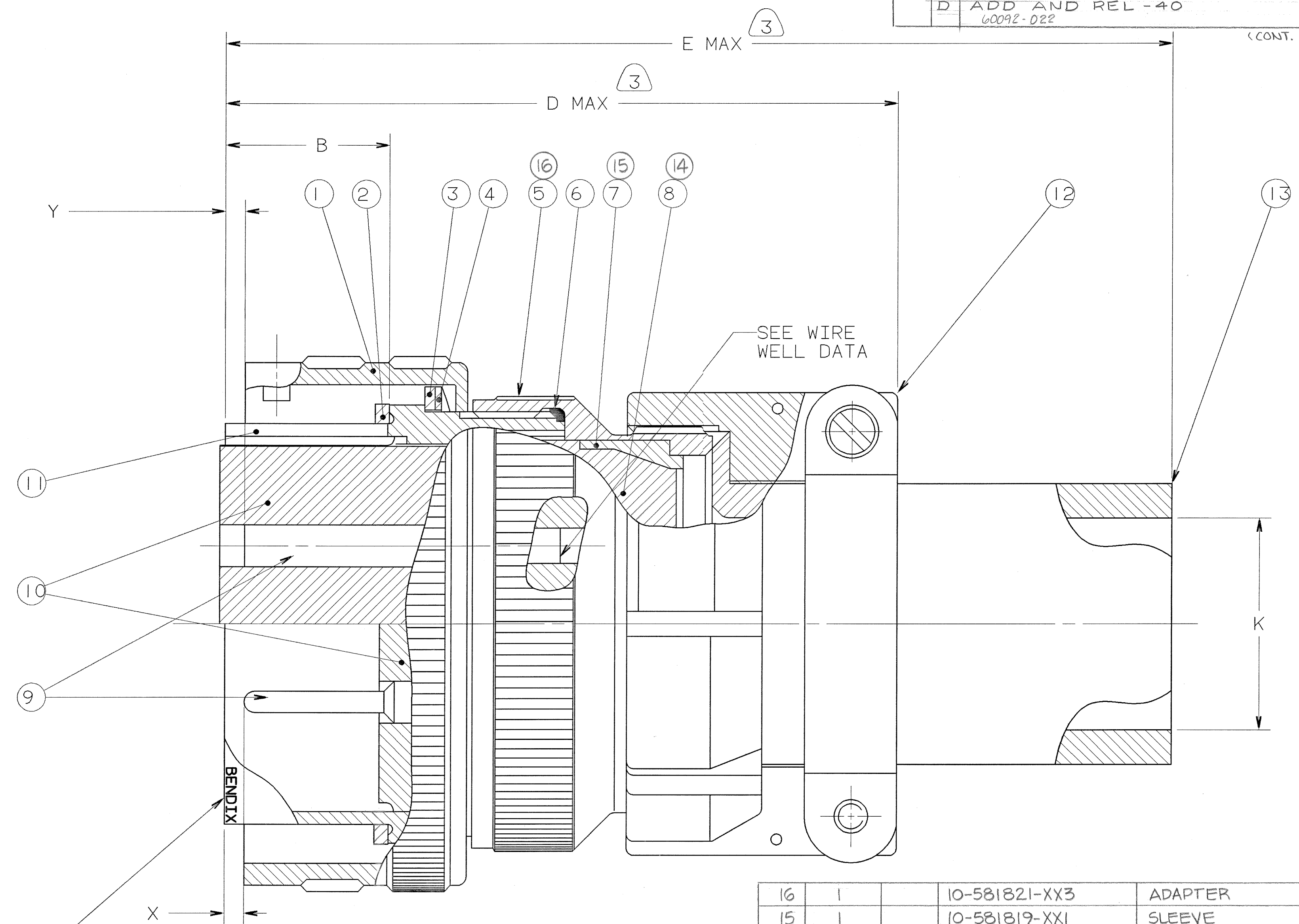
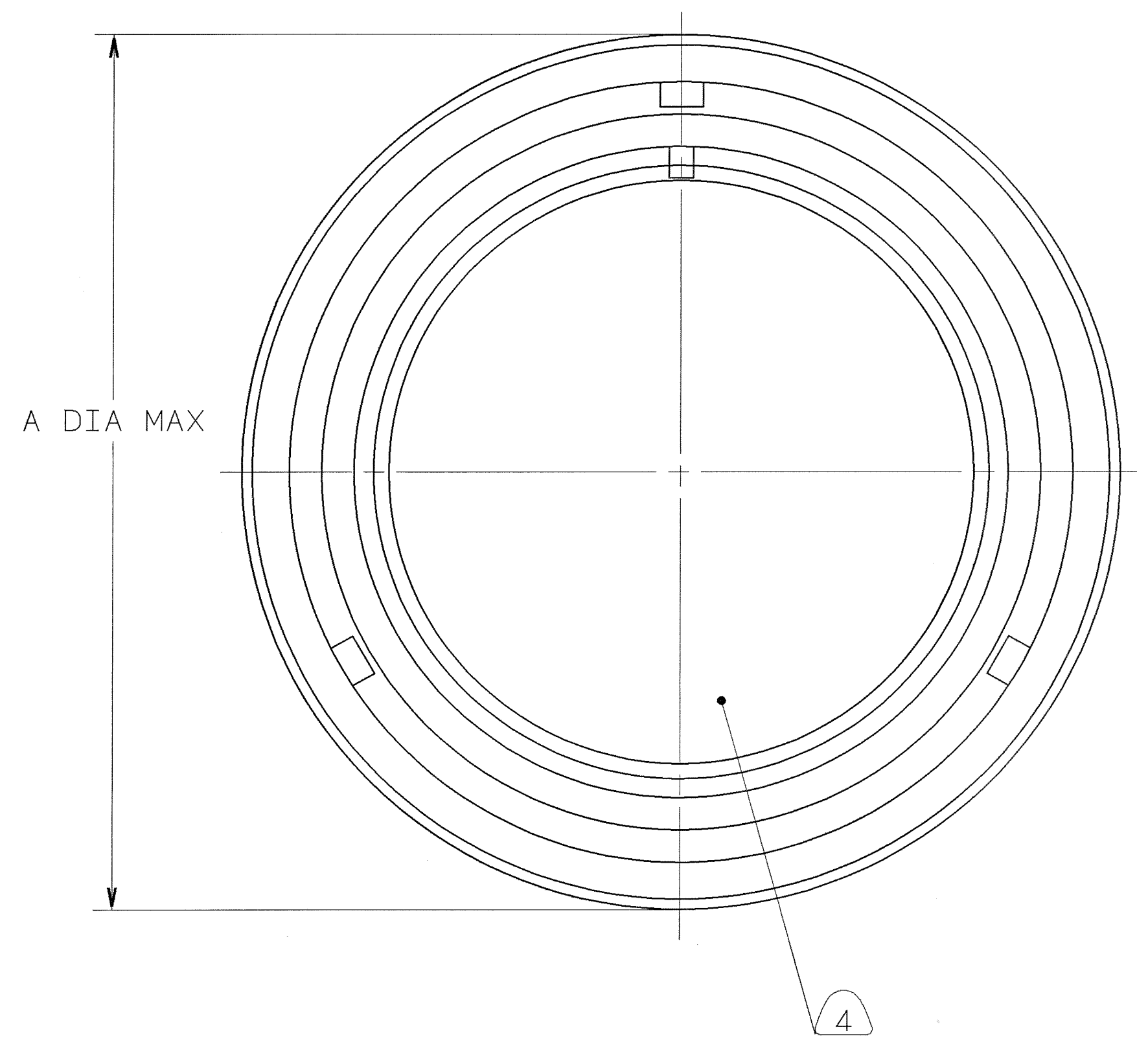


CONTACT SIZE	SHELL SIZE	X	Y
16 SHORT	10SL, 14S, 16S	.087±.039	.079
16 LONG	16 THRU 40	.260 ⁺ .052 .041	.102
12	16 THRU 40	.118 ⁺ .039 .056	.102
4,8,0	16 THRU 40	.091±.039	.102



BLACK INK STAMP PER 9-3856-5 "BENDIX", GT NUMBER (SEE COLUMN) & DATE CODE (9-3895) CHARACTERS TO BE .062-.094 HIGH.
EXAMPLE:
BENDIX GTC06F22-15P 8947

ZONE		REVISIONS		DATE	APPROVED
A	LTR	INITIAL RELEASE NUMBER			
B		(CLII) WAS -2 (SLEEVE SIZE 22:-12)		11/1/92	Prescott
C		(CLII) SEE CHG NOTICE		1/24/92	Prescott
D		ADD AND REL - 40		6-11-92	Snyder

ITEM	QTY	FSCM NO.	PART NUMBER	DESCRIPTION	NOTE REF.	
16	1		10-581821-XX3	ADAPTER	13	
15	1		10-581819-XX1	SLEEVE	13	
14	1		SEE COLUMN	GROMMET	12,13	
13	1		SEE COLUMN	SLEEVE		
12	1		SEE COLUMN	CABLE CLAMP		
11	1		SEE COLUMN	SHELL		
10	1		10-748XX-XXX	INSERT		
9	SEE NOTE 10					
8	1		10-607XX-XX	GROMMET	14	
7	1		10-564869-XX	SLEEVE, COMPRESSION	14	
6	1		10-101379-XX1	GASKET	9	
5	1		10-564867-XX3	ADAPTER	3,14	
4	1		10-564859-XX	WAVED, WASHER		
3	1		10-564860-XX	WASHER, SKID		
2	1		10-564843-XX1	GASKET		
1	1		10-564856-XX3	COUPLING NUT		

SEE SHEET 2.
NOTES:

THE USE OF THIS DOCUMENT IS UNLIMITED. HOWEVER, DOCUMENTS REFERENCED HEREON MAY CONTAIN LIMITED RIGHTS DATA.

COMPANY ID: 2
CODED/MS/CUST: Y
INTERNAL: N
LOTNO: N
DATE CODE: 9-3895
SEE PRINT: N

UNLESS OTHERWISE SPECIFIED
LINEAR DIMENSIONS ARE IN INCHES.
TOLERANCES: .XXX±.010,
.XX ±.03, .X ±.1, ANGLES ±2°.
OTHER STANDARDS PER 9-3800
AND DOD-D-1000. NOTE REF = (XX)

FIND NO.	QTY REQD.	FSCM NO.	PART NUMBER	DESCRIPTION	NOTE REF.
SPECIFICATIONS					
MATERIAL SPEC.		SIGNATURES		DATES	
N/A		MCELLIGOTT		08/29/90	
PROCESS SPEC.		APPROVED		APPHENOL CORPORATION	
SEE NOTE 5		MCELLIGOTT		BENDIX CONNECTOR OPERATIONS	
		APPROVED		SIDNEY, N.Y.	
		MCELLIGOTT		CONNECTOR, ELECTRICAL, PLUG,	
		APPROVED		REVERSE BAYONET COUPLING,	
		MCELLIGOTT		TYPE GTC06F(-)	
		APPROVED		SIZE	
		MCELLIGOTT		D 77820	
		APPROVED		FSCM NO.	
		MCELLIGOTT		71-580510/529	
		APPROVED		SCALE	
		MCELLIGOTT		NONE	
		APPROVED		REF	
		MCELLIGOTT		71-580570/589	
		APPROVED		SHEET	
		MCELLIGOTT		1 OF 2	

COMPUTER GENERATED DRAWING

00000001 01653

TAB.

71-580510/529 B

ASSEMBLY NUMBER	SHELL SIZE	GT NUMBER	SHELL	CABLE CLAMP	SLEEVE	A DIA MAX	B ±.005	D MAX	E MAX	K DIA MIN	GROMMET PART NUMBER
71-580510-()	8S	NOT AVAILABLE									
71-580511-()	10S	NOT AVAILABLE									
71-580512-()	10SL	GTC06F10SL-()	10-580915-113	10-824810- 4	10-824802- 4	.897	.531	2.165	4.724	.218	10-581825-()
71-580513-()	12S	NOT AVAILABLE									
71-580514-()	12	NOT AVAILABLE									
71-580515-()	14S	GTC06F14S-()	10-37266-14	10-824810- 7	10-824802- 6	1.150	.531	2.362	4.724	.310	10-581827-()
71-580516-()	14	NOT AVAILABLE									
71-580517-()	16S	GTC06F16S-()	10-37266-16	10-824810- 8	10-824802- 8	1.260	.531	2.756	4.724	.435	10-581829-()
71-580518-()	16	GTC06F16-()	10-37266-17	10-824810- 8	10-824802- 8	1.260	.719	2.756	4.921	.435	10-581830-()
71-580519-()	18	GTC06F18-()	10-37266-18	10-824810-10	10-824802-10	1.437		2.953	4.921	.560	10-581831-()
71-580520-()	20	GTC06F20-()	10-37266-20	10-824810-12	10-824802-12	1.571		2.953	4.921	.623	10-581832-()
71-580521-()	22	GTC06F22-()	10-37266-22	10-824810-12	10-824802-12	1.697		2.953	4.921	.623	10-581833-()
71-580522-()	24	GTC06F24-()	10-37266-24	10-824810-16	10-824802-16	1.835		3.543	4.921	.748	10-581834-()
71-580523-()	28	GTC06F28-()	10-37266-28	10-824810-16	10-824802-16	2.102		3.543	4.921	.748	10-581835-()
71-580524-()	32	GTC06F32-()	10-37266-32	10-824810-20	10-824802-20	2.366		3.543	4.921	.935	10-581836-()
71-580525-()	36	GTC06F36-()	10-37266-36	10-824810-24	10-824802-24	2.610		3.937	5.315	1.248	10-581837-()
71-580526-()	40	GTC06F40-()	10-37266-40	10-824810-28	10-824802-28	2.850		4.921	5.709	1.375	10-581838-()
71-580527/529		NOT AVAILABLE									

TO COMPLETE, ADD APPLICABLE INSERT ARRANGEMENT SUFFIX PER 9-2437

WIRE WELL DATA						
CONTACT SIZE	0	4	8	12	16	16M
WELL DIA	.453±.005	.281 ±.005 -.004	.179 ±.004 -.002	.098 ±.004 -.000	.063 ±.004 -.000	.063 ±.004 -.000
WELL DEPTH	+.031 -.000	.592	.500	.500	.250	.250

7. FOR MATING CONNECTOR ASSEMBLIES, SEE 71-580960/979 & OTHERS.
6. SEE WORK ORDER FOR PERMISSIBLE ADDITIONAL OR ALTERNATE STAMPING.
5. PROCESS SPEC:
ASSY 9-9238
TEST 9-3106-18
9-3856-5, 9-3895, 9-2437, 9-1936
4. INSERT ARE NOT REMOVABLE.
3. DRAWING ILLUSTRATES FINAL ASSEMBLY. FOR STORAGE & SHIPPING, ADAPTER & SLEEVE MUST BE LOOSELY COUPLED.
2. FOR CONTACT SIZE, SPACING & SERVICE RATING, SEE MIL-STD-1651 OR L-11908-()/L-11948-().
1. UNITS MEET THE APPLICABLE REQUIREMENTS OF MIL-C-5015.
14. INDICATED ITEMS (F/NS 5, 7, & 8) ARE APPLICABLE TO CONNECTORS CONTAINING CONTACT ARRANGEMENTS OTHER THAN THOSE SPECIFIED IN NOTE 13.
13. INDICATED ITEMS F/NS 14, 15 & 16 ARE APPLICABLE TO CONNECTORS CONTAINING CONTACT ARRANGEMENTS WITH SIZES 4 & 8.
12. TO COMPLETE INDICATED GROMMET PART NO., ADD APPLICABLE ARRANGEMENT SUFFIX.
11. PACKAGE PER PRODUCTION PROCESS SHEET.
10. SEE SEPARATE PARTS LIST FOR COMPONENT PART NUMBERS AND QUANTITIES.
9. APPLY A LIGHT FILM OF LUBRICANT 9-1936 TO GASKET.
8. FOR FINAL INSTALLATION, ALL UNUSED GROMMET HOLES MUST BE FILLED WITH THE APPROPRIATE SIZE SEALING PLUG.

NOTES:

THE USE OF THIS DOCUMENT IS UNLIMITED. HOWEVER, DOCUMENTS REFERENCED HEREON MAY CONTAIN LIMITED RIGHTS DATA.

SIZE	FSCM NO.	REV.
D	77820	F
SCALE	WT.	REF.
		SHEET 2

COMPUTER GENERATED DRAWING

71-580510/529

TAB.

X-ON Electronics

Largest Supplier of Electrical and Electronic Components

Click to view similar products for [Circular DIN Connectors](#) category:

Click to view products by [Amphenol](#) manufacturer:

Other Similar products are found below :

[CTV06RQF-25-8SA-LC](#) [CTV06RQF-25-8S-LC](#) [CTV06RQW-25-8SB-LC](#) [CTV06RW-25-20P](#) [CTV06RW-25-20PA](#) [CTV06RW-25-20PB](#)
[CTV06RW-25-20PE-LC](#) [CTV06RW-25-20SB](#) [CTV06RW-25-20SE](#) [CTV07RW-17-8S\(506\)](#) [CTVP00RW-19-32S\(506\)](#) [CTVP00RW-9-35S\(506\)](#) [M83723/71R20416](#) [M83723/71R22196](#) [M83723/71W2039N](#) [M83723/71W24196](#) [M83723/71W2419N](#) [M83723/72A1404N-LC](#)
[M83723/72R1203N](#) [M83723/72W20418](#) [M83723/72W22126](#) [M83723/72W22556](#) [M83723/72W2419N](#) [M83723/72W2461N](#)
[M83723/73R2028N](#) [M83723/73R2039N](#) [M83723/73W1412N](#) [M83723/73W2039N](#) [M83723/74R1624N](#) [M83723/74R1808N](#)
[M83723/74R2212N](#) [M83723/74W1203N](#) [M83723/74W1412N](#) [M83723/74W20416](#) [M83723/74W2041N](#) [M83723/75R10058](#)
[M83723/75W2232N](#) [M83723/76R14157](#) [M83723/76R20256](#) [M83723/76W1808N](#) [M83723/76W2016N](#) [M83723/76W2461N](#)
[M83723/77W2016N](#) [M83723/78R22327](#) [M83723/78W2212N](#) [M83723/78W22556](#) [M85049/50-5F](#) [D38999/20FF11AC](#) [D38999/20FJ20BB](#)
[D38999/20FJ20SC](#)