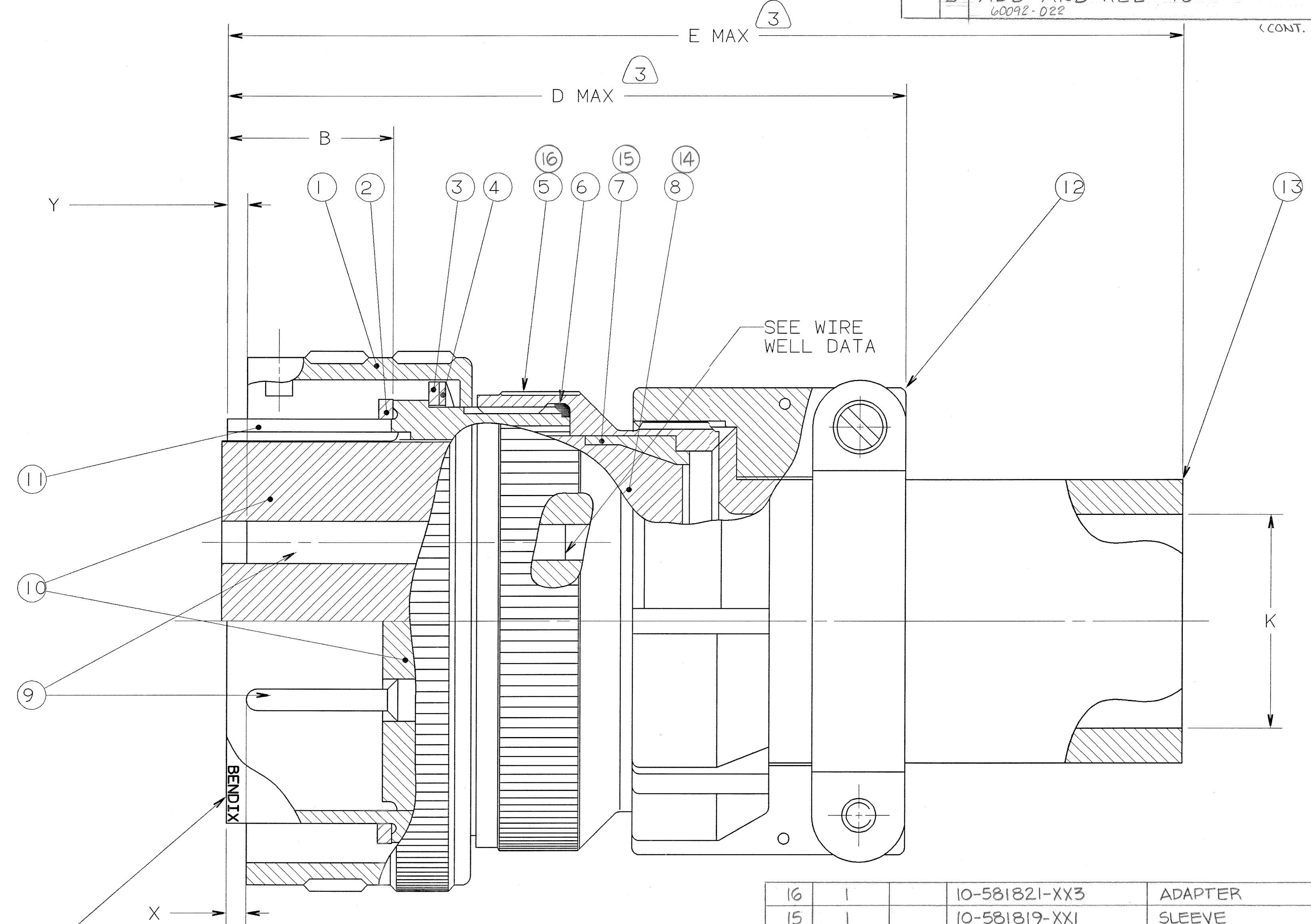
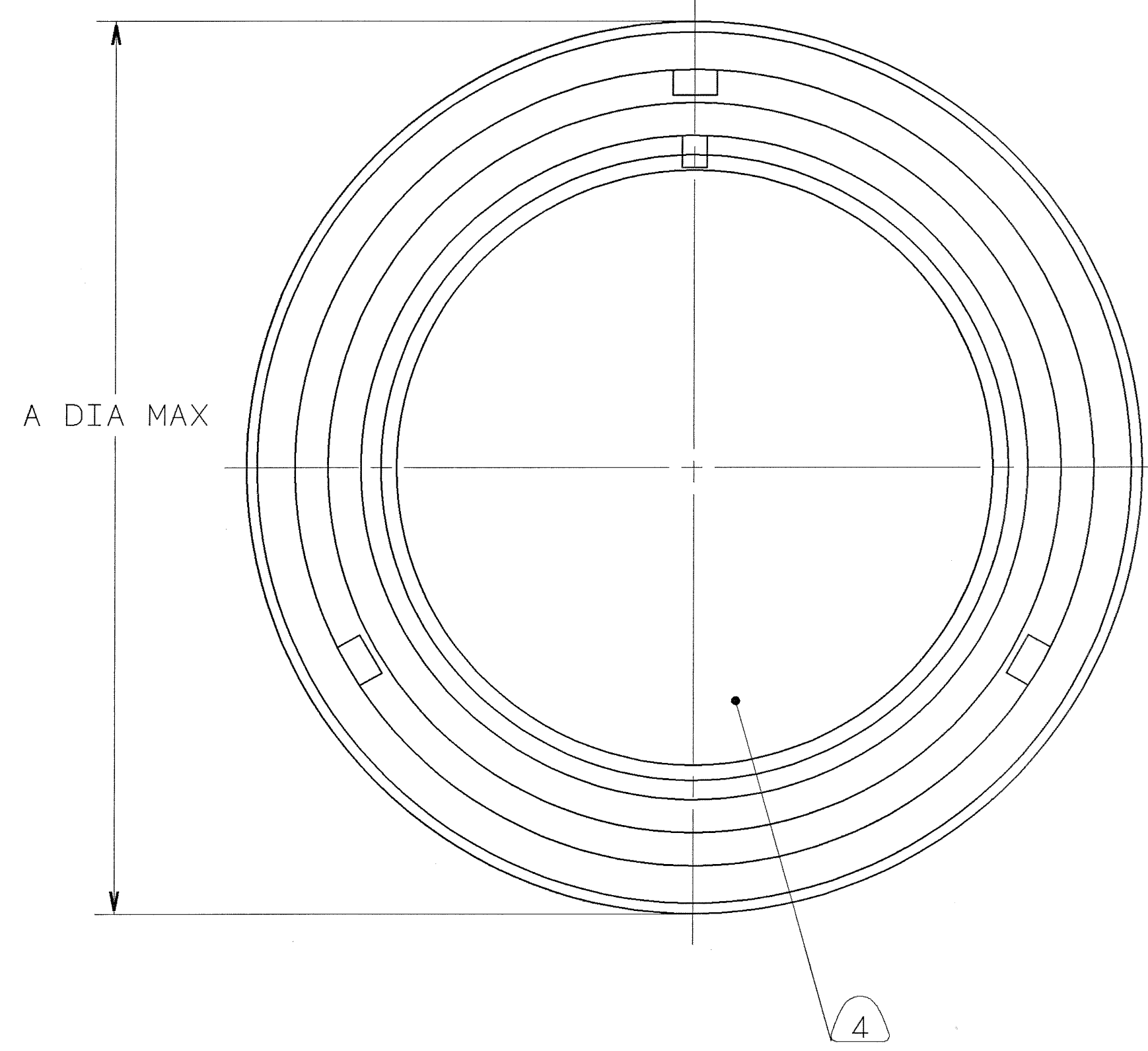


CONTACT SIZE	SHELL SIZE	X	Y
16 SHORT	10SL, 14S, 16S	.087±.039	.079
16 LONG	16 THRU 40	.260 <sup>+</sup> .052 .041	.102
12	16 THRU 40	.118 <sup>+</sup> .039 .056	.102
4,8,0	16 THRU 40	.091±.039	.102



BLACK INK STAMP PER 9-3856-5 "BENDIX", GT NUMBER (SEE COLUMN) & DATE CODE (9-3895) CHARACTERS TO BE .062-.094 HIGH.  
EXAMPLE:  
BENDIX GTC06F22-15P 8947

ZONE		REVISIONS		DATE	APPROVED
A	LTR	INITIAL RELEASE NUMBER			
B		(CLID) WAS -2 (SLEEVE SIZE 22:-12)		11/1/92	Prescott
C		(CLID) SEE CHG NOTICE		1/24/92	Prescott
D		ADD AND REL - 40		6-11-92	Snyder

16	1		10-581821-XX3	ADAPTER	13	
15	1		10-581819-XX1	SLEEVE	13	
14	1		SEE COLUMN	GROMMET	12,13	
13	1		SEE COLUMN	SLEEVE		
12	1		SEE COLUMN	CABLE CLAMP		
11	1		SEE COLUMN	SHELL		
10	1		10-748XX-XXX	INSERT		
9	SEE NOTE 10				CONTACT	
8	1		10-607XX-XX	GROMMET	14	
7	1		10-564869-XX	SLEEVE, COMPRESSION	14	
6	1		10-101379-XX1	GASKET	9	
5	1		10-564867-XX3	ADAPTER	3,14	
4	1		10-564859-XX	WAVED, WASHER		
3	1		10-564860-XX	WASHER, SKID		
2	1		10-564843-XX1	GASKET		
1	1		10-564856-XX3	COUPLING NUT		

SEE SHEET 2.  
NOTES:

THE USE OF THIS DOCUMENT IS UNLIMITED. HOWEVER, DOCUMENTS REFERENCED HEREON MAY CONTAIN LIMITED RIGHTS DATA.

COMPANY ID: 2  
CODED/MS/CUST: Y  
INTERNAL: N  
LOTNO: N  
DATE CODE: 9-3895  
SEE PRINT: N

UNLESS OTHERWISE SPECIFIED  
LINEAR DIMENSIONS ARE IN INCHES.  
TOLERANCES: .XXX±.010,  
.XX ±.03, .X ±.1, ANGLES ±2°.  
OTHER STANDARDS PER 9-3800  
AND DOD-D-1000. NOTE REF = (XX)

FIND NO.	QTY REQD.	FSCM NO.	PART NUMBER	DESCRIPTION	NOTE REF.
SPECIFICATIONS					
MATERIAL SPEC.		SIGNATURES		DATES	
N/A		MCELLIGOTT		08/29/90	
PROCESS SPEC.		APPROVED		APPHENOL CORPORATION	
SEE NOTE 5		MCELLIGOTT		BENDIX CONNECTOR OPERATIONS	
		APPROVED		SIDNEY, N.Y.	
		MCELLIGOTT		CONNECTOR, ELECTRICAL, PLUG,	
		APPROVED		REVERSE BAYONET COUPLING,	
		MCELLIGOTT		TYPE GTC06F(-)	
		APPROVED		SIZE	
		MCELLIGOTT		D 77820	
		APPROVED		FSCM NO.	
		MCELLIGOTT		71-580510/529	
		APPROVED		SCALE	
		MCELLIGOTT		NONE	
		APPROVED		REF	
		MCELLIGOTT		71-580570/589	
		APPROVED		SHEET	
		MCELLIGOTT		1 OF 2	

ASSEMBLY NUMBER	SHELL SIZE	GT NUMBER	SHELL	CABLE CLAMP	SLEEVE	A DIA MAX	B ±.005	D MAX	E MAX	K DIA MIN	GROMMET PART NUMBER
71-580510-()	8S	NOT AVAILABLE									
71-580511-()	10S	NOT AVAILABLE									
71-580512-()	10SL	GTC06F10SL-()	10-580915-113	10-824810- 4	10-824802- 4	.897	.531	2.165	4.724	.218	10-581825-()
71-580513-()	12S	NOT AVAILABLE									
71-580514-()	12	NOT AVAILABLE									
71-580515-()	14S	GTC06F14S-()	10-37266-14	10-824810- 7	10-824802- 6	1.150	.531	2.362	4.724	.310	10-581827-()
71-580516-()	14	NOT AVAILABLE									
71-580517-()	16S	GTC06F16S-()	10-37266-16	10-824810- 8	10-824802- 8	1.260	.531	2.756	4.724	.435	10-581829-()
71-580518-()	16	GTC06F16-()	10-37266-17	10-824810- 8	10-824802- 8	1.260	.719	2.756	4.921	.435	10-581830-()
71-580519-()	18	GTC06F18-()	10-37266-18	10-824810-10	10-824802-10	1.437		2.953	4.921	.560	10-581831-()
71-580520-()	20	GTC06F20-()	10-37266-20	10-824810-12	10-824802-12	1.571		2.953	4.921	.623	10-581832-()
71-580521-()	22	GTC06F22-()	10-37266-22	10-824810-12	10-824802-12	1.697		2.953	4.921	.623	10-581833-()
71-580522-()	24	GTC06F24-()	10-37266-24	10-824810-16	10-824802-16	1.835		3.543	4.921	.748	10-581834-()
71-580523-()	28	GTC06F28-()	10-37266-28	10-824810-16	10-824802-16	2.102		3.543	4.921	.748	10-581835-()
71-580524-()	32	GTC06F32-()	10-37266-32	10-824810-20	10-824802-20	2.366		3.543	4.921	.935	10-581836-()
71-580525-()	36	GTC06F36-()	10-37266-36	10-824810-24	10-824802-24	2.610		3.937	5.315	1.248	10-581837-()
71-580526-()	40	GTC06F40-()	10-37266-40	10-824810-28	10-824802-28	2.850		4.921	5.709	1.375	10-581838-()
71-580527/529		NOT AVAILABLE									

TO COMPLETE, ADD APPLICABLE INSERT ARRANGEMENT SUFFIX PER 9-2437

WIRE WELL DATA						
CONTACT SIZE	0	4	8	12	16	16M
WELL DIA	.453±.005	.281 ±.005 -.004	.179 ±.004 -.002	.098 ±.004 -.000	.063 ±.004 -.000	.063 ±.004 -.000
WELL DEPTH	+.031 -.000	.592	.500	.500	.250	.250

- 7. FOR MATING CONNECTOR ASSEMBLIES, SEE 71-580960/979 & OTHERS.
- 6. SEE WORK ORDER FOR PERMISSIBLE ADDITIONAL OR ALTERNATE STAMPING.
- 5. PROCESS SPEC:  
ASSY 9-9238  
TEST 9-3106-18  
9-3856-5,9-3895,9-2437,9-1936
- 4. INSERT ARE NOT REMOVABLE.
- 3. DRAWING ILLUSTRATES FINAL ASSEMBLY. FOR STORAGE & SHIPPING, ADAPTER & SLEEVE MUST BE LOOSELY COUPLED.
- 2. FOR CONTACT SIZE, SPACING & SERVICE RATING, SEE MIL-STD-1651 OR L-11908-()/L-11948-().
- 1. UNITS MEET THE APPLICABLE REQUIREMENTS OF MIL-C-5015.
- 14. INDICATED ITEMS (F/NS 5,7, & 8) ARE APPLICABLE TO CONNECTORS CONTAINING CONTACT ARRANGEMENTS OTHER THAN THOSE SPECIFIED IN NOTE 13.
- 13. INDICATED ITEMS F/NS 14, 15 & 16 ARE APPLICABLE TO CONNECTORS CONTAINING CONTACT ARRANGEMENTS WITH SIZES 4 & 8.
- 12. TO COMPLETE INDICATED GROMMET PART NO., ADD APPLICABLE ARRANGEMENT SUFFIX.
- 11. PACKAGE PER PRODUCTION PROCESS SHEET.
- 10. SEE SEPARATE PARTS LIST FOR COMPONENT PART NUMBERS AND QUANTITIES.
- 9. APPLY A LIGHT FILM OF LUBRICANT 9-1936 TO GASKET.
- 8. FOR FINAL INSTALLATION, ALL UNUSED GROMMET HOLES MUST BE FILLED WITH THE APPROPRIATE SIZE SEALING PLUG.

NOTES:

THE USE OF THIS DOCUMENT IS UNLIMITED. HOWEVER, DOCUMENTS REFERENCED HEREON MAY CONTAIN LIMITED RIGHTS DATA.

SIZE	FSCM NO.	REV
D	77820	F
SCALE	WT	REF
		SHEET 2

COMPUTER GENERATED DRAWING

71-580510/529

A

TAB.

## X-ON Electronics

Largest Supplier of Electrical and Electronic Components

*Click to view similar products for [Circular MIL Spec Connector](#) category:*

*Click to view products by [Amphenol](#) manufacturer:*

Other Similar products are found below :

[89075GULPR](#) [0025-262-542](#) [58-584653-12P](#) [0134-202-1200](#) [0134-207-1206](#) [0134-207-1800](#) [0134-207-2207](#) [0134-213-0806](#) [0134-213-1007](#)  
[0134-213-1009](#) [0134-213-1200](#) [0134-213-1208](#) [0134-213-1800](#) [0134-213-2209](#) [0025-258-000](#) [015-9516-002](#) [5M30-61](#) [60-042217-10P](#) [60-042722-19P](#) [0114-201-1278](#) [024251-0015](#) [602GB06EG1832SN](#) [602GB06EG24-61SN](#) [0134-201-1207](#) [0134-201-1806](#) [0134-201-2006](#) [0134-201-2007](#) [0134-201-2010](#) [0134-202-1400](#) [0134-207-0809](#) [0134-207-1208](#) [0134-207-2009](#) [0134-213-0800](#) [0134-213-1006](#) [0134-213-1008](#)  
[6104-209-1702](#) [61-168211-04P](#) [61-168617-10P](#) [6131-202-19149P](#) [6131-204-21149P](#) [6131-207-13149P](#) [6131-208-13149P](#) [6131-209-17149P](#)  
[6131-210-11149P](#) [6131-211-19149P](#) [6131-216-19149P](#) [6131-220-25149P](#) [6131-259-11149P](#) [6131-259-21149P](#) [6131-259-23149P](#)