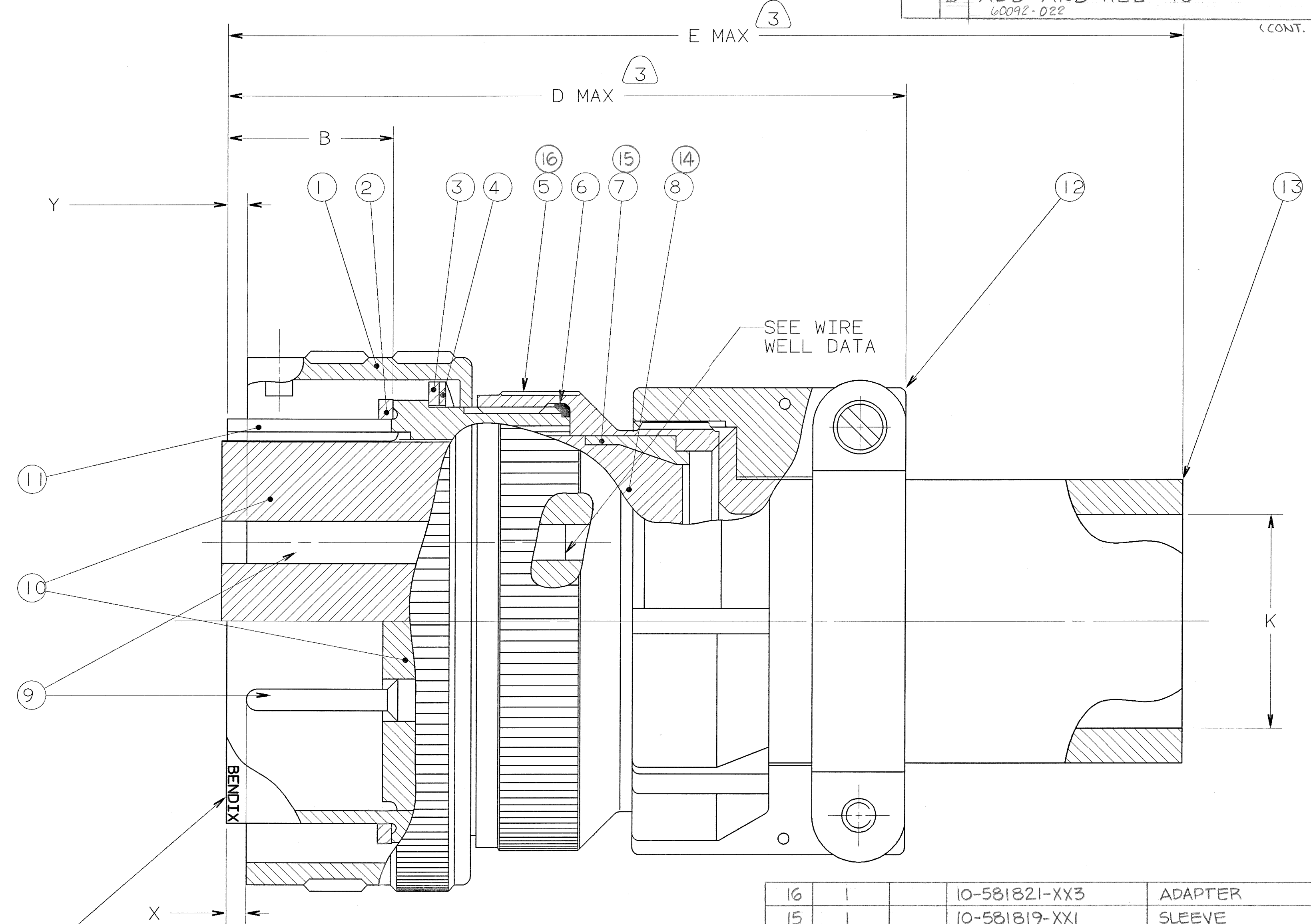
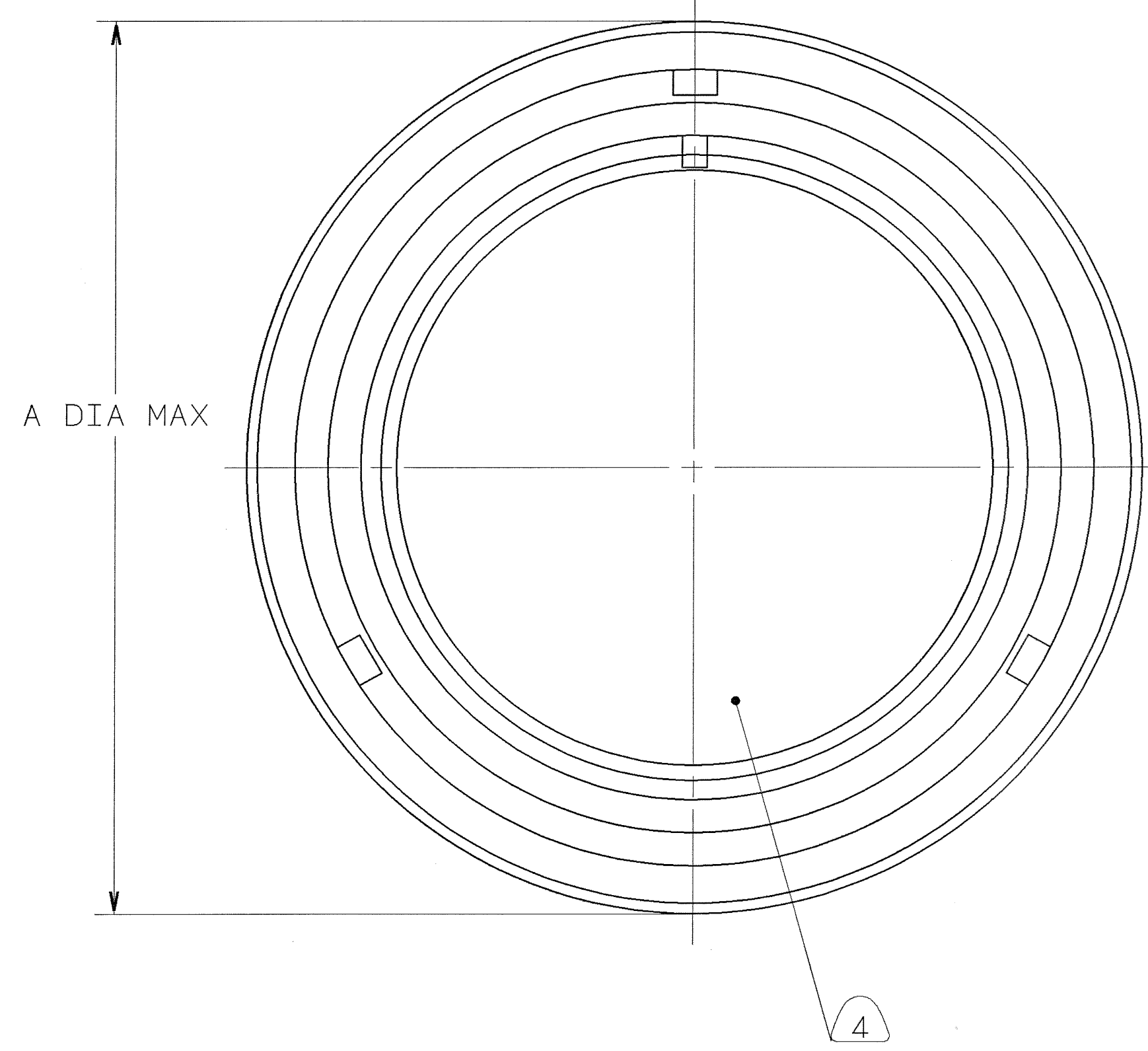


E (CLII) SEE ECN 27845
 F (CLII) SEE ECN: 28347

REVISIONS				
ZONE	LTR	DESCRIPTION	DATE	APPROVED
A		INITIAL RELEASE NUMBER RLSE: 70091-025		
B		(CLII) WAS -2 (SLEEVE SIZE 22:-12) ECN: 260602	11/1/92 Prescott	Prescott
C		(CLII) SEE CHG NOTICE ECN: 26803	1/24/92 Prescott	Prescott
D		ADD AND REL - 40 60092-022	6-11-92 SNYDER	SNYDER

CONTACT SIZE	SHELL SIZE	X	Y
16 SHORT	10SL, 14S, 16S	.087±.039	.079
16 LONG	16 THRU 40	.260 ⁺ .052 .041	.102
12	16 THRU 40	.118 ⁺ .039 .056	.102
4,8,0	16 THRU 40	.091±.039	.102



BLACK INK STAMP PER 9-3856-5 "BENDIX", GT NUMBER (SEE COLUMN) & DATE CODE (9-3895) CHARACTERS TO BE .062-.094 HIGH.
 EXAMPLE:
 BENDIX GTC06F22-15P 8947

16	1		10-581821-XX3	ADAPTER	13	
15	1		10-581819-XX1	SLEEVE	13	
14	1		SEE COLUMN	GROMMET	12,13	
13	1		SEE COLUMN	SLEEVE		
12	1		SEE COLUMN	CABLE CLAMP		
11	1		SEE COLUMN	SHELL		
10	1		10-748XX-XXX	INSERT		
9	SEE NOTE 10					
8	1		10-607XX-XX	GROMMET	14	
7	1		10-564869-XX	SLEEVE, COMPRESSION	14	
6	1		10-101379-XX1	GASKET	9	
5	1		10-564867-XX3	ADAPTER	3,14	
4	1		10-564859-XX	WAVED, WASHER		
3	1		10-564860-XX	WASHER, SKID		
2	1		10-564843-XX1	GASKET		
1	1		10-564856-XX3	COUPLING NUT		

SEE SHEET 2.
 NOTES:

THE USE OF THIS DOCUMENT IS UNLIMITED. HOWEVER, DOCUMENTS REFERENCED HEREON MAY CONTAIN LIMITED RIGHTS DATA.

COMPANY ID: 2
 CODED/MS/CUST: Y
 INTERNAL: N
 LOTNO: N
 DATE CODE: 9-3895
 SEE PRINT: N

UNLESS OTHERWISE SPECIFIED
 LINEAR DIMENSIONS ARE IN INCHES.
 TOLERANCES: .XXX±.010,
 .XX ±.03, .X ±.1, ANGLES ±2°.
 OTHER STANDARDS PER 9-3800
 AND DOD-D-1000. NOTE REF = (XX)

FIND NO.	QTY REQD.	FSCM NO.	PART NUMBER	DESCRIPTION	NOTE REF.
SPECIFICATIONS					
MATERIAL SPEC.		SIGNATURES		DATES	
N/A		MCELLIGOTT		08/29/90	
PROCESS SPEC.		APPROVED		APPHENOL CORPORATION	
SEE NOTE 5		MCELLIGOTT		BENDIX CONNECTOR OPERATIONS	
		1-17-91		SIDNEY, N.Y.	
		1-17-91		CONNECTOR, ELECTRICAL, PLUG, REVERSE BAYONET COUPLING, TYPE GTC06F(-)	
		1-17-91		U	
		1-17-91		SIZE	
		1-17-91		D 77820	
		1-17-91		FSCM NO.	
		1-17-91		71-580510/529	
		1-17-91		SCALE	
		1-17-91		NONE	
		1-17-91		REF	
		1-17-91		71-580570/589	
		1-17-91		SHEET	
		1-17-91		1 OF 2	

COMPUTER GENERATED DRAWING

00000001 01653

TAB.

71-580510/529 B

ASSEMBLY NUMBER	SHELL SIZE	GT NUMBER	SHELL	CABLE CLAMP	SLEEVE	A DIA MAX	B ±.005	D MAX	E MAX	K DIA MIN	GROMMET PART NUMBER
71-580510-()	8S	NOT AVAILABLE									
71-580511-()	10S	NOT AVAILABLE									
71-580512-()	10SL	GTC06F10SL-()	10-580915-113	10-824810- 4	10-824802- 4	.897	.531	2.165	4.724	.218	10-581825-()
71-580513-()	12S	NOT AVAILABLE									
71-580514-()	12	NOT AVAILABLE									
71-580515-()	14S	GTC06F14S-()	10-37266-14	10-824810- 7	10-824802- 6	1.150	.531	2.362	4.724	.310	10-581827-()
71-580516-()	14	NOT AVAILABLE									
71-580517-()	16S	GTC06F16S-()	10-37266-16	10-824810- 8	10-824802- 8	1.260	.531	2.756	4.724	.435	10-581829-()
71-580518-()	16	GTC06F16-()	10-37266-17	10-824810- 8	10-824802- 8	1.260	.719	2.756	4.921	.435	10-581830-()
71-580519-()	18	GTC06F18-()	10-37266-18	10-824810-10	10-824802-10	1.437		2.953	4.921	.560	10-581831-()
71-580520-()	20	GTC06F20-()	10-37266-20	10-824810-12	10-824802-12	1.571		2.953	4.921	.623	10-581832-()
71-580521-()	22	GTC06F22-()	10-37266-22	10-824810-12	10-824802-12	1.697		2.953	4.921	.623	10-581833-()
71-580522-()	24	GTC06F24-()	10-37266-24	10-824810-16	10-824802-16	1.835		3.543	4.921	.748	10-581834-()
71-580523-()	28	GTC06F28-()	10-37266-28	10-824810-16	10-824802-16	2.102		3.543	4.921	.748	10-581835-()
71-580524-()	32	GTC06F32-()	10-37266-32	10-824810-20	10-824802-20	2.366		3.543	4.921	.935	10-581836-()
71-580525-()	36	GTC06F36-()	10-37266-36	10-824810-24	10-824802-24	2.610		3.937	5.315	1.248	10-581837-()
71-580526-()	40	GTC06F40-()	10-37266-40	10-824810-28	10-824802-28	2.850		4.921	5.709	1.375	10-581838-()
71-580527/529		NOT AVAILABLE									

TO COMPLETE, ADD APPLICABLE INSERT ARRANGEMENT SUFFIX PER 9-2437

WIRE WELL DATA						
CONTACT SIZE	0	4	8	12	16	16M
WELL DIA	.453±.005	.281 ±.005 -.004	.179 ±.004 -.002	.098 ±.004 -.000	.063 ±.004 -.000	.063 ±.004 -.000
WELL DEPTH	+.031 -.000	.592	.500	.500	.250	.250

7. FOR MATING CONNECTOR ASSEMBLIES, SEE 71-580960/979 & OTHERS.
6. SEE WORK ORDER FOR PERMISSIBLE ADDITIONAL OR ALTERNATE STAMPING.
5. PROCESS SPEC:
ASSY 9-9238
TEST 9-3106-18
9-3856-5, 9-3895, 9-2437, 9-1936
4. INSERT ARE NOT REMOVABLE.
3. DRAWING ILLUSTRATES FINAL ASSEMBLY. FOR STORAGE & SHIPPING, ADAPTER & SLEEVE MUST BE LOOSELY COUPLED.
2. FOR CONTACT SIZE, SPACING & SERVICE RATING, SEE MIL-STD-1651 OR L-11908-()/L-11948-().
1. UNITS MEET THE APPLICABLE REQUIREMENTS OF MIL-C-5015.
14. INDICATED ITEMS (F/NS 5, 7, & 8) ARE APPLICABLE TO CONNECTORS CONTAINING CONTACT ARRANGEMENTS OTHER THAN THOSE SPECIFIED IN NOTE 13.
13. INDICATED ITEMS F/NS 14, 15 & 16 ARE APPLICABLE TO CONNECTORS CONTAINING CONTACT ARRANGEMENTS WITH SIZES 4 & 8.
12. TO COMPLETE INDICATED GROMMET PART NO., ADD APPLICABLE ARRANGEMENT SUFFIX.
11. PACKAGE PER PRODUCTION PROCESS SHEET.
10. SEE SEPARATE PARTS LIST FOR COMPONENT PART NUMBERS AND QUANTITIES.
9. APPLY A LIGHT FILM OF LUBRICANT 9-1936 TO GASKET.
8. FOR FINAL INSTALLATION, ALL UNUSED GROMMET HOLES MUST BE FILLED WITH THE APPROPRIATE SIZE SEALING PLUG.

NOTES:

THE USE OF THIS DOCUMENT IS UNLIMITED. HOWEVER, DOCUMENTS REFERENCED HEREON MAY CONTAIN LIMITED RIGHTS DATA.

SIZE	FSCM NO.	REV.
D	77820	F
SCALE	WT.	REF.
		SHEET 2

COMPUTER GENERATED DRAWING

71-580510/529

TAB.

X-ON Electronics

Largest Supplier of Electrical and Electronic Components

Click to view similar products for [Circular MIL Spec Connector](#) category:

Click to view products by [Amphenol](#) manufacturer:

Other Similar products are found below :

[89075GULPR](#) [0025-262-542](#) [0025-264-3014](#) [58-570121-04S](#) [0134-213-1208](#) [0134-213-2209](#) [0025-258-000](#) [60-042022-07P](#) [60-042022-19P](#)
[60-042022-23P](#) [60-042217-10P](#) [0114-201-1278](#) [012-0467-000](#) [602GB06EG24-61SN](#) [0134-201-1207](#) [0134-213-1006](#) [6104-207-2302](#) [6104-](#)
[208-1902](#) [61-168211-04P](#) [61-168617-10P](#) [6131-202-19149P](#) [6131-204-21149P](#) [6131-208-13149P](#) [6131-209-17149P](#) [6131-210-11149P](#) [6131-](#)
[211-19149P](#) [6131-216-19149P](#) [6131-259-21149P](#) [6131-259-23149P](#) [6131-265-17149P](#) [6131-265-19149P](#) [CS3100A18-1P-472](#) [CS3100A-36-](#)
[77P](#) [CS3101A-16-55P](#) [CS3102A-10SL-55P](#) [CS3102A-14S-58P](#) [CS3102A-32-17P](#) [CS3102A32-25S](#) [CS3102C18-4P-472](#)
[CS3106A10SL3S004](#) [CS3106A-18-73S](#) [CS3108A-14S-52S](#) [CS3108A-28-51S](#) [6162-233-1277](#) [6162-324-1231](#) [M243082296Z](#)
[M2884010AC1S1](#) [CT0-24-10SC](#) [CT0M20-7PCAU](#) [M28840/17AC1G3](#)