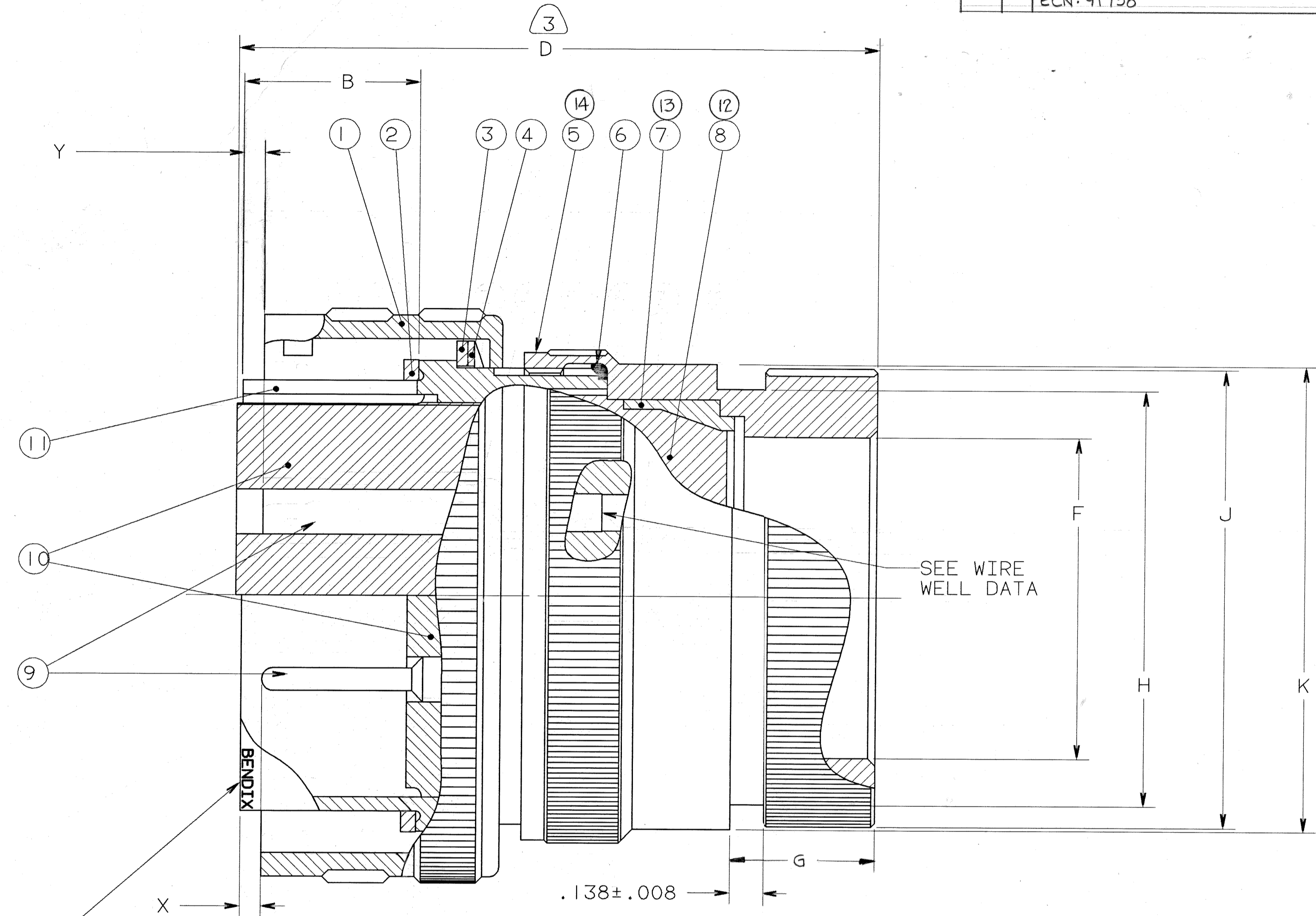
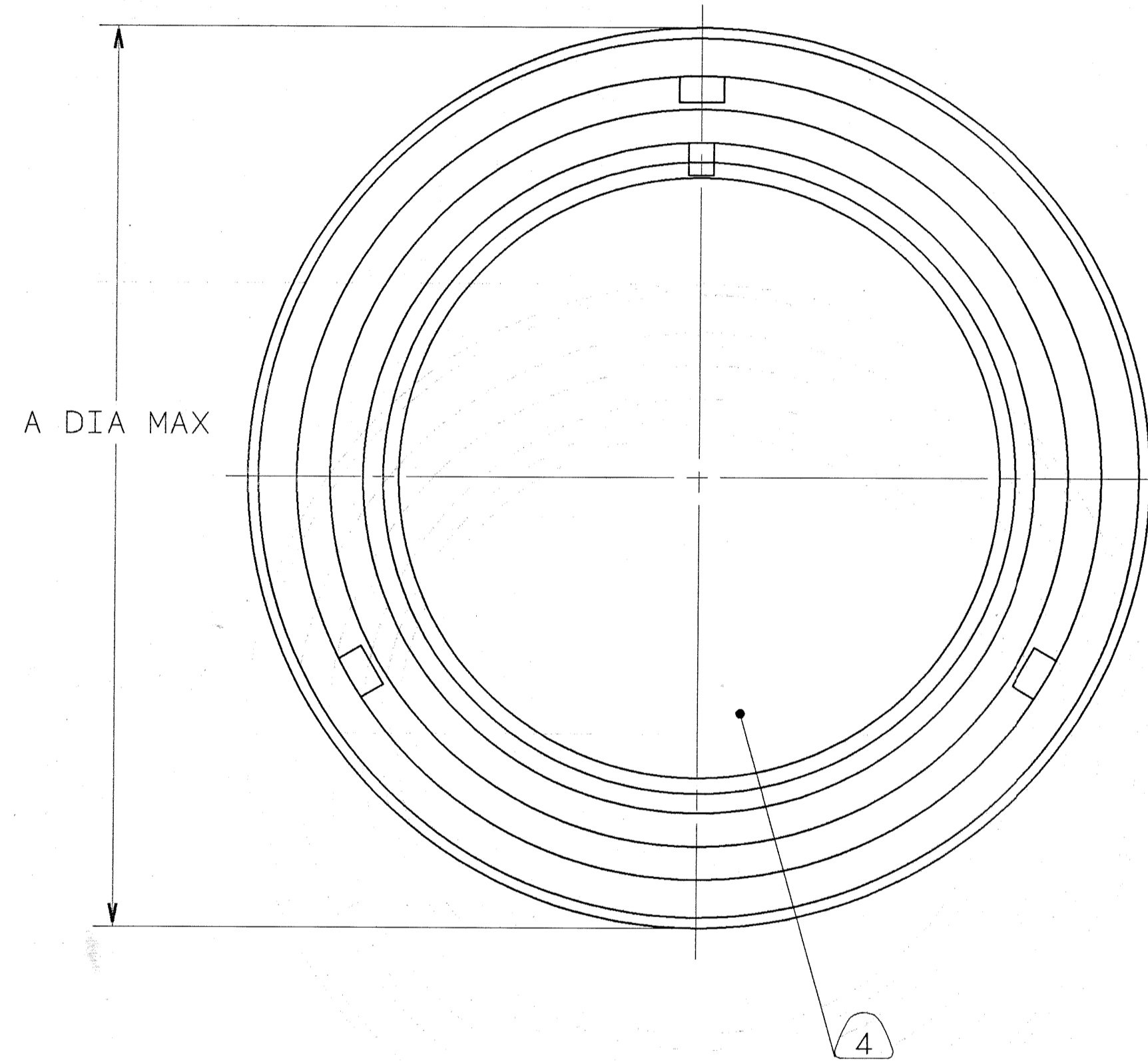


CONTACT SIZE	SHELL SIZE	X	Y ±.040
16 SHORT	10SL, 14S, 16S	.087±.039	.079
16 LONG	16 THRU 40	.260 <sup>+</sup> .052 .041	.102
12	16 THRU 40	.118 <sup>+</sup> .039 .056	.102
4,8,0	16 THRU 40	.091±.039	.102



REVISIONS				
ZONE	LTR	DESCRIPTION	DATE	APPROVED
A		INITIAL RELEASE NUM: 70089-323		
B		(CLII) SEE CHG NOTICE ECN: 26788	12/19/91 PRESCOTT	<i>p.j.</i>
C		WAS 10-581821-XX3 (ITEM 14) ECN: 27190	10-26-92 SNYDER	<i>j.e.s.</i>
D		(CLII) SEE ECN 27845	7-14-93 PRESCOTT	<i>A. Brennan</i>
E		(CLII) SEE ECN 28347	12-22-93 SNYDER	<i>j.e.s.</i>
F		(CLII) SEE CHG NOTICE ECN: 91738	2-24-03 PRESCOTT	

14	1	10-581822-XX3	ADAPTER	3,13
13	1	10-581819-XX1	SLEEVE	13
12	1	SEE COLUMN	GROMMET	12,13
11	1	SEE COLUMN	SHELL	
10	1	10-748XX-XXX	INSERT	
9		SEE NOTE 10	CONTACT	
8	1	10-607XX-XX	GROMMET	14
7	1	10-564869-XX	SLEEVE, COMPRESSION	14
6	1	10-101379-XX1	GASKET	9
5	1	10-564846-XX3	ADAPTER	3,14
4	1	10-564859-XX	WAVED, WASHER	
3	1	10-564860-XX	WASHER, SKID	
2	1	10-564843-XX1	GASKET	
1	1	10-564856-XX3	COUPLING NUT	

BLACK INK STAMP PER 9-3856-5 "BENDIX", GT NUMBER (SEE COLUMN) & DATE CODE (9-3895) CHARACTERS TO BE .062-.094 HIGH.  
EXAMPLE:  
BENDIX GTC06G22-21P 8944

UNLESS OTHERWISE SPECIFIED  
LINEAR DIMENSIONS ARE IN INCHES.  
TOLERANCES: .XXX±.010,  
.XX ±.03, .X ±.1, ANGLES ±2°.  
OTHER STANDARDS PER 9-3800  
AND DOD-D-1000. NOTE REF = **XX**

COMPANY ID: 2  
CODED/MS/CUST: Y  
INTERNAL: N  
LOTNO: N  
DATE CODE: 9-3895  
SEE PRINT: N

N/A  
N/A  
NEXT ASSEMBLY

FIND NO.	QTY RECD.	FSCM NO.	PART NUMBER	DESCRIPTION	NOTE REF.
PARTS LIST					
SPECIFICATIONS		SIGNATURES	DATES	AMPHENOL CORPORATION BENDIX CONNECTOR OPERATIONS SIDNEY, N.Y.	
MATERIAL SPEC. N/A		PRESCOTT	1/30/90	CONNECTOR, ELECTRICAL, PLUG, REVERSE BAYONET COUPLING, TYPE GTC06G()-(), SOLDERLESS	
PROCESS SPEC. SEE NOTE 5		<i>[Signature]</i>	1/30/90	U	
		<i>[Signature]</i>	1/30/90	REV. F	
		<i>[Signature]</i>	1/30/90	SIZE D 77820 71-580330/349	
				SCALE NONE WT. REF 71-580450/469 SHEET 1 OF 2	

SEE SHEET 2.

NOTES:

THE USE OF THIS DOCUMENT IS UNLIMITED. HOWEVER, DOCUMENTS REFERENCED HEREON MAY CONTAIN LIMITED RIGHTS DATA.

ASSEMBLY NUMBER	SHELL SIZE	GT NUMBER	SHELL	A		D	F		G	H		J	K		GROMMET PART NUMBER
				DIA MAX	B ±.005		DIA MIN	±.020		DIA MAX	±.008		DIA ±.008		
71-580330-()	8S	NOT AVAILABLE													
71-580331-()	10S	NOT AVAILABLE													
71-580332-()	10SL	GTC06G10SL-()	10-580915-113	.897	.531	1.969	.303	.461	.524	.610	.669				10-581825-()
71-580333-()	12S	NOT AVAILABLE													
71-580334-()	12	NOT AVAILABLE													
71-580335-()	14S	GTC06G14S-()	10-37266-14	1.150	.531	1.969	.417	.461	.669	.752	.791				10-581827-()
71-580336-()	14	NOT AVAILABLE													
71-580337-()	16S	GTC06G16S-()	10-37266-16	1.300	.531	1.969	.531	.461	.862	.941	.925				10-581829-()
71-580338-()	16	GTC06G16-()	10-37266-17	1.300	.719	2.362	.531	.453	.862	.941	.925				10-581830-()
71-580339-()	18	GTC06G18-()	10-37266-18	1.437		2.362	.637	.453	.862	.941	1.043				10-581831-()
71-580340-()	20	GTC06G20-()	10-37266-20	1.571		2.559	.736	.500	1.031	1.165	1.189				10-581832-()
71-580341-()	22	GTC06G22-()	10-37266-22	1.697		2.559	.877	.500	1.031	1.165	1.323				10-581833-()
71-580342-()	24	GTC06G24-()	10-37266-24	1.835		2.559	.969	.500	1.358	1.488	1.421				10-581834-()
71-580343-()	28	GTC06G28-()	10-37266-28	2.102		2.559	1.094	.500	1.358	1.488	1.630				10-581835-()
71-580344-()	32	GTC06G32-()	10-37266-32	2.366		2.756	1.392	.598	1.717	1.882	1.913				10-581836-()
71-580345-()	36	GTC06G36-()	10-37266-36	2.610		3.150	1.539	.598	1.717	1.882	2.157				10-581837-()
71-580346-()	40	GTC06G40-()	10-37266-40	2.850		3.150	1.898	.610	2.071	2.276	2.402				10-581838-()
71-580347/349		NOT AVAILABLE													

TO COMPLETE, ADD APPLICABLE INSERT ARRANGEMENT SUFFIX PER 9-2437

SEE NOTE 12

WIRE WELL DATA					
CONTACT SIZE	0	4	8	12	16
WELL DIA	.453±.005	.281 ±.005 -.004	.179 ±.004 -.002	.098 ±.004 -.001	.063 ±.004 -.001
WELL DEPTH	+.031 -.000	.592	.500	.500	.250

- NOTES:
- UNITS MEET THE APPLICABLE REQUIREMENTS OF MIL-C-5015.
  - FOR CONTACT SIZE, SPACING & SERVICE RATING, SEE MIL-STD-1651 OR L-11908-()/L-11948-().
  - DRAWING ILLUSTRATES FINAL ASSEMBLY. FOR STORAGE & SHIPPING, ADAPTER MUST BE LOOSELY COUPLED. CONTACTS ARE SHIPPED UNASSEMBLED.
  - INSERTS ARE NOT REMOVABLE.
  - PROCESS SPEC:  
ASSY 9-9238  
TEST 9-3106-18  
9-3856-5, 9-3895, 9-2437, 9-1936
  - SEE WORK ORDER FOR PERMISSIBLE ADDITIONAL OR ALTERNATE STAMPING.
  - FOR MATING CONNECTOR ASSEMBLIES, SEE 71-580960/979 & OTHERS.

- INDICATED ITEMS, F/NS 5, 7, & 8, ARE APPLICABLE TO CONNECTORS CONTAINING CONTACT ARRANGEMENTS OTHER THAN THOSE SPECIFIED IN NOTE 13.
- TO COMPLETE INDICATED GROMMET PART NO., ADD APPLICABLE ARRANGEMENT SUFFIX.
- INDICATED ITEMS, F/NS 12, 13 & 14, ARE APPLICABLE TO CONNECTORS CONTAINING CONTACT ARRANGEMENTS WITH SIZES 4, & 8.
- PACKAGE PER PRODUCTION PROCESS SHEET.
- SEE SEPARATE PARTS LIST FOR COMPONENT PART NUMBERS AND QUANTITIES.
- APPLY A LIGHT FILM OF LUBRICANT 9-1936 TO GASKET.
- FOR FINAL INSTALLATION, CONTACTS MUST BE ASSEMBLED INTO ALL INSERT HOLES. ALL UNUSED GROMMET HOLES MUST BE FILLED WITH THE APPROPRIATE SIZE SEALING PLUG.

THE USE OF THIS DOCUMENT IS UNLIMITED. HOWEVER, DOCUMENTS REFERENCED HEREON MAY CONTAIN LIMITED RIGHTS DATA.

SIZE	FSDM NO.	REV.
D	77820	F
SCALE	WT	REF
		SHEET 2

71-580330/349 B

SCANNED

A

## X-ON Electronics

Largest Supplier of Electrical and Electronic Components

*Click to view similar products for [Circular MIL Spec Connector](#) category:*

*Click to view products by [Amphenol](#) manufacturer:*

Other Similar products are found below :

[89075GULPR](#) [0025-262-542](#) [0025-264-3014](#) [58-570121-04S](#) [0134-213-1208](#) [0134-213-2209](#) [0025-258-000](#) [60-042022-07P](#) [60-042022-19P](#)  
[60-042022-23P](#) [60-042217-10P](#) [0114-201-1278](#) [012-0467-000](#) [602GB06EG24-61SN](#) [0134-201-1207](#) [0134-213-1006](#) [6104-207-2302](#) [6104-](#)  
[208-1902](#) [61-168211-04P](#) [61-168617-10P](#) [6131-202-19149P](#) [6131-204-21149P](#) [6131-208-13149P](#) [6131-209-17149P](#) [6131-210-11149P](#) [6131-](#)  
[211-19149P](#) [6131-216-19149P](#) [6131-259-21149P](#) [6131-259-23149P](#) [6131-265-17149P](#) [6131-265-19149P](#) [CS3100A18-1P-472](#) [CS3100A-36-](#)  
[77P](#) [CS3101A-16-55P](#) [CS3102A-10SL-55P](#) [CS3102A-14S-58P](#) [CS3102A-32-17P](#) [CS3102A32-25S](#) [CS3102C18-4P-472](#)  
[CS3106A10SL3S004](#) [CS3106A-18-73S](#) [CS3108A-14S-52S](#) [CS3108A-28-51S](#) [6162-233-1277](#) [6162-324-1231](#) [M243082296Z](#)  
[M2884010AC1S1](#) [CT0-24-10SC](#) [CT0M20-7PCAU](#) [M28840/17AC1G3](#)