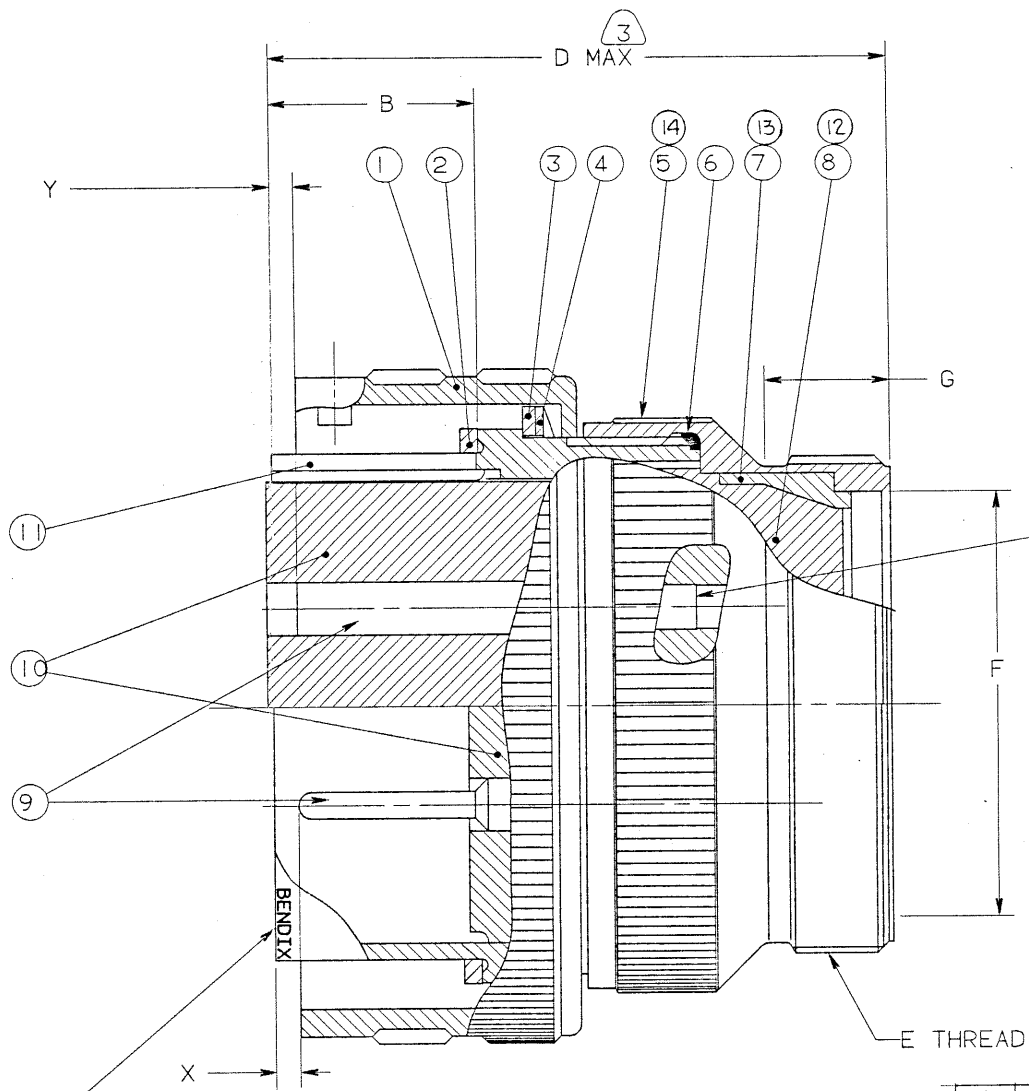
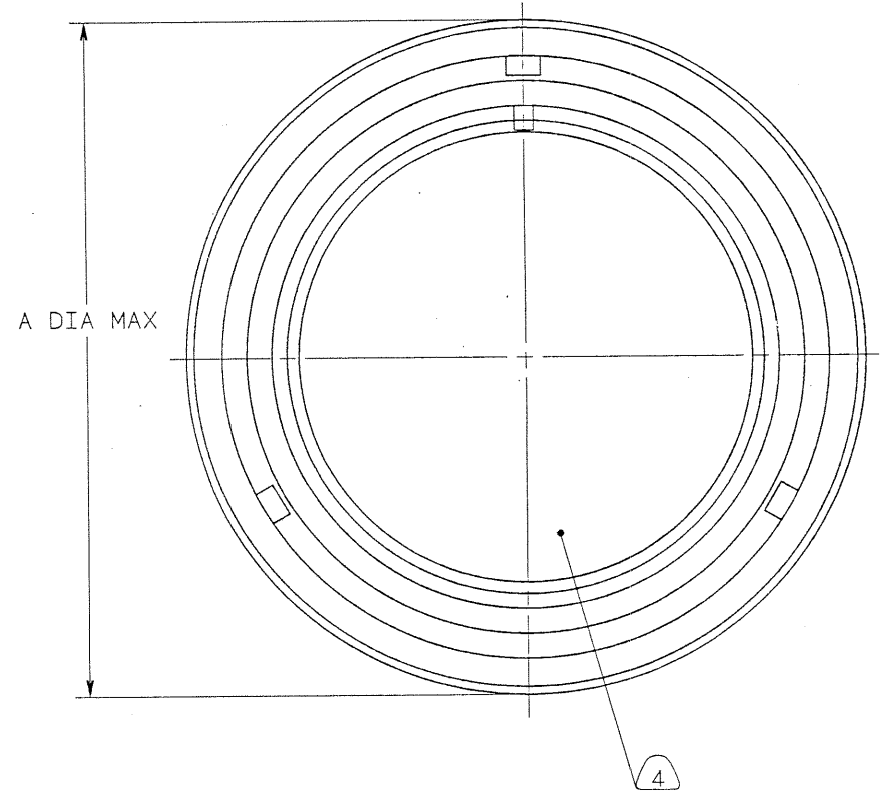


		REVISIONS	
ZONE	LTR	DESCRIPTION	DATE
A		INITIAL RELEASE NUMBER RLSE: 7069-223	
B		(CLI) SEE CHG NOTICE ECN: 26782	12/18/91 Prescott
C		(CLI) SEE ECN 27845	7-19-93 SILVER
D		(CLI) SEE ECN 28347	8-22-93 SILVER
E		(CLI) CHG BLK CHG ONLY ECN: 84807	6-26-93 Prescott

CONTACT SIZE	SHELL SIZE	X	Y ±.040
16 SHORT	10SL, 14S, 16S	.087±0.039	.079
16 LONG	16 THRU 40	.260 ⁺ .052 .041	.102
12	16 THRU 40	.118 ⁺ .039 .056	.102
4,8,0	16 THRU 40	.091±.039	.102



BLACK INK STAMP PER 9-3856-5 "BENDIX", GT NUMBER (SEE COLUMN) & DATE CODE (9-3895) CHARACTERS TO BE .062-.094 HIGH.
EXAMPLE:
BENDIX GTC06R18-IP 8944

QTY	PART NUMBER	DESCRIPTION	NOTE REF.
14	10-581821-XX3	ADAPTER	3,13
13	10-581819-XX1	SLEEVE	13
12	SEE COLUMN	GROMMET	12,13
11	SEE COLUMN	SHELL	
10	10-748XX-XXX	INSERT	
9	SEE NOTE 10	CONTACT	
8	10-607XX-XX	GROMMET	14
7	10-564869-XX	SLEEVE, COMPRESSION	14
6	10-101379-XX1	GASKET	9
5	10-564867-XX3	ADAPTER	3,14
4	10-564859-XX	WAVED, WASHER	
3	10-564860-XX	WASHER, SKID	
2	10-564843-XX1	GASKET	
1	10-564856-XX3	COUPLING NUT	

SEE SHEET 2.
NOTES:

THE USE OF THIS DOCUMENT IS UNLIMITED. HOWEVER, DOCUMENTS REFERENCED HEREON MAY CONTAIN LIMITED RIGHTS DATA.

COMPANY ID: 2
 CODED/MS/CUST: Y
 INTERNAL: N
 LOTNO: N
 DATE CODE: 9-3895
 SEE PRINT: N

UNLESS OTHERWISE SPECIFIED
 LINEAR DIMENSIONS ARE IN INCHES.
 TOLERANCES: .XXX±.010,
 .XX ±.03, .X ±.1, ANGLES ±2°.
 OTHER STANDARDS PER 9-3800
 AND DOD-D-1000. NOTE REF= (XX)

FIND NO.	QTY RECD.	FSCM NO.	PART NUMBER	DESCRIPTION	NOTE REF.
SPECIFICATIONS					
MATERIAL SPEC.		SIGNATURES		DATES	
N/A		BIVIANO		11/6/89	
CHECKED		[Signature]		11/9/89	
MATERIAL		[Signature]		11/9/89	
APPROVED		[Signature]		11/6/89	
PROCESS SPEC.		SEE NOTE 5		SIZE FSCM NO.	
				D 77820 71-580450/469	
		71-580452-03P		SCALE NONE WT. REF N/A SHEET 1 OF 2	

71-580450/469 B

A

ASSEMBLY NUMBER	SHELL SIZE	GT NUMBER	SHELL	A DIA MAX	B ±.005	D MAX	E THREAD -2A	F DIA MIN	G MIN	GROMMET PART NUMBER
71-580540-()	8S	NOT AVAILABLE								
71-580451-()	10S	NOT AVAILABLE								
71-580452-()	10SL	GTC06R10SL-()	10-580915-113	.897	.531	1.969	.6250-24UNEF	.409	.374	10-581825-()
71-580453-()	12S	NOT AVAILABLE								
71-580454-()	12	NOT AVAILABLE								
71-580455-()	14S	GTC06R14S-()	10-37266-14	1.150	.531	1.969	.7500-20UNEF	.520	.374	10-581827-()
71-580456-()	14	NOT AVAILABLE								
71-580457-()	16S	GTC06R16S-()	10-37266-16	1.300	.531	1.969	.8750-20UNEF	.638	.374	10-581829-()
71-580458-()	16	GTC06R16-()	10-37266-17	1.300	.719	2.362	.8750-20UNEF	.638	.374	10-581830-()
71-580459-()	18	GTC06R18-()	10-37266-18	1.437		2.362	1.0000-20UNEF	.756	.374	10-581831-()
71-580460-()	20	GTC06R20-()	10-37266-20	1.571		2.362	1.1875-18UNEF	.866	.374	10-581832-()
71-580461-()	22	GTC06R22-()	10-37266-22	1.697		2.362	1.1875-18UNEF	.965	.374	10-581833-()
71-580462-()	24	GTC06R24-()	10-37266-24	1.835		2.559	1.4375-18UNEF	1.094	.374	10-581834-()
71-580463-()	28	GTC06R28-()	10-37266-28	2.102		2.559	1.4375-18UNEF	1.228	.374	10-581835-()
71-580464-()	32	GTC06R32-()	10-37266-32	2.366		2.559	1.7500-18UNS	1.488	.433	10-581836-()
71-580465-()	36	GTC06R36-()	10-37266-36	2.610		3.150	2.0000-18UNS	1.780	.465	10-581837-()
71-580466-()	40	GTC06R40-()	10-37266-40	2.850		3.150	2.2500-16UN	2.016	.465	10-581838-()
71-580467/469		NOT AVAILABLE								

TO COMPLETE, ADD APPLICABLE INSERT ARRANGEMENT SUFFIX PER 9-2437

SEE NOTE 12

WIRE WELL DATA						
CONTACT SIZE	0	4	8	12	16	16M
WELL DIA	.453±.005	.281 +.005 -.004	.179 +.004 -.002	.098 +.004 -.000	.063 +.004 -.000	.063 +.004 -.000
WELL DEPTH	.592	.500	.500	.250	.250	.250

- UNITS MEET THE APPLICABLE REQUIREMENTS OF MIL-C-5015.
- FOR CONTACT SIZE, SPACING & SERVICE RATING, SEE MIL-STD-1651 OR L-11908-()/L-11948-().
- DRAWING ILLUSTRATES FINAL ASSEMBLY. FOR STORAGE & SHIPPING, ADAPTER MUST BE LOOSELY COUPLED. CONTACTS ARE SHIPPED UNASSEMBLED.
- INSERTS ARE NOT REMOVABLE.
- PROCESS SPEC:
ASSY 9-9238
TEST 9-3106-18
9-3856-5, 9-3895, 9-2437, 9-1936
- SEE WORK ORDER FOR PERMISSIBLE ADDITIONAL OR ALTERNATE STAMPING.
- FOR MATING CONNECTOR ASSEMBLIES, SEE 71-580960/979 & OTHERS.
- FOR FINAL INSTALLATION, CONTACTS MUST BE ASSEMBLED INTO ALL INSERT HOLES. ALL UNUSED GROMMET HOLES MUST BE FILLED WITH THE APPROPRIATE SIZE SEALING PLUG.
- APPLY A LIGHT FILM OF LUBRICANT 9-1936 TO GASKET.
- SEE SEPARATE PARTS LIST FOR COMPONENT PART NUMBERS AND QUANTITIES.
- PACKAGE PER PRODUCTION PROCESS SHEET.
- INDICATED ITEMS, F/NS 12, 13 & 14, ARE APPLICABLE TO CONNECTORS CONTAINING CONTACT ARRANGEMENTS WITH SIZES "4" & "8".
- TO COMPLETE INDICATED GROMMET PART NO. ADD APPLICABLE ARRANGEMENT SUFFIX.
- INDICATED ITEMS, F/NS 5, 7 & 8, ARE APPLICABLE TO CONNECTORS CONTAINING CONTACT ARRANGEMENTS OTHER THAN THOSE SPECIFIED IN NOTE 13.
- INDICATED ITEMS, F/NS 5, 7 & 8, ARE APPLICABLE TO CONNECTORS CONTAINING CONTACT ARRANGEMENTS OTHER THAN THOSE SPECIFIED IN NOTE 13.

NOTES:

THE USE OF THIS DOCUMENT IS UNLIMITED. HOWEVER, DOCUMENTS REFERENCED HEREON MAY CONTAIN LIMITED RIGHTS DATA.

71-580450/469 B

X-ON Electronics

Largest Supplier of Electrical and Electronic Components

Click to view similar products for [Circular MIL Spec Connector](#) category:

Click to view products by [Amphenol](#) manufacturer:

Other Similar products are found below :

[89075GULPR](#) [0025-262-542](#) [0025-264-3014](#) [58-570121-04S](#) [0134-213-1208](#) [0134-213-2209](#) [0025-258-000](#) [60-042022-07P](#) [60-042022-19P](#)
[60-042022-23P](#) [60-042217-10P](#) [0114-201-1278](#) [012-0467-000](#) [602GB06EG24-61SN](#) [0134-201-1207](#) [0134-213-1006](#) [6104-207-2302](#) [6104-](#)
[208-1902](#) [61-168211-04P](#) [61-168617-10P](#) [6131-202-19149P](#) [6131-204-21149P](#) [6131-208-13149P](#) [6131-209-17149P](#) [6131-210-11149P](#) [6131-](#)
[211-19149P](#) [6131-216-19149P](#) [6131-259-21149P](#) [6131-259-23149P](#) [6131-265-17149P](#) [6131-265-19149P](#) [CS3100A18-1P-472](#) [CS3100A-36-](#)
[77P](#) [CS3101A-16-55P](#) [CS3102A-10SL-55P](#) [CS3102A-14S-58P](#) [CS3102A-32-17P](#) [CS3102A32-25S](#) [CS3102C18-4P-472](#)
[CS3106A10SL3S004](#) [CS3106A-18-73S](#) [CS3108A-14S-52S](#) [CS3108A-28-51S](#) [6162-233-1277](#) [6162-324-1231](#) [M243082296Z](#)
[M2884010AC1S1](#) [CT0-24-10SC](#) [CT0M20-7PCAU](#) [M28840/17AC1G3](#)