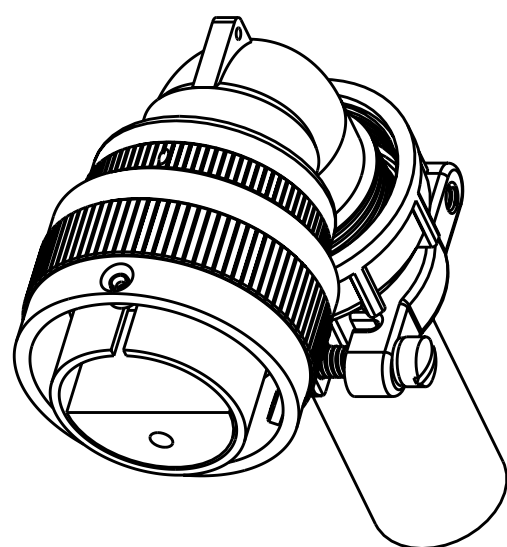


REV. B	SHEET 1 OF 3	71-604220/239
REVISIONS		
LTR	DESCRIPTION	DATE
B	(CL11) REV ELBOW ECN: 93397	6-25-04 PRESCOTT



CONTACT SIZE	SHELL SIZE	X	Y ±.040
16 SHORT	10SL, 14S, 16S	.087±.039	.079
16 LONG	16 THRU 40	.260 ⁺ .052 -.041	.102
12	16 THRU 40	.118 ⁺ .039 -.056	.102
0, 4, 8	16 THRU 40	.091±.039	.102

WIRE WELL DATA					
CONTACT SIZE	0	4	8	12	16
WELL DIA	.453±.005	.281 ⁺ .005 -.004	.179 ⁺ .004 -.002	.098 ⁺ .004 -.001	.063 ⁺ .004 -.001
WELL DEPTH ⁺ .031 -.000	.592	.500	.500	.250	.250

9. PACKAGE PER PRODUCTION PROCESS SHEET.
8. SEE SEPARATE PARTS LIST FOR COMPONENT PART NUMBERS AND QUANTITIES.
7. FOR MATING CONNECTOR ASSEMBLIES, SEE 71-580960/979 AND OTHERS.
6. SEE WORK ORDER FOR PERMISSIBLE ADDITIONAL OR ALTERNATE STAMPING.
5. PROCESS SPEC:
ASSY 9-9238
TEST 9-3106-18
9-3856-5, 9-3895, 9-2437
4. INSERTS ARE NOT REMOVABLE.
3. DRAWING ILLUSTRATES FINAL ASSEMBLY. FOR STORAGE AND SHIPPING, ELBOW ASSEMBLY MUST BE LOOSELY COUPLED. CONTACTS ARE SHIPPED UNASSEMBLED.
2. FOR CONTACT SIZE, SPACING AND SERVICE RATING, SEE MIL-STD-1651 OR L-11908/40-().
1. UNIT MEETS THE APPLICABLE REQUIREMENTS OF MIL-C-5015.

NOTES:

THE USE OF THIS DOCUMENT IS UNLIMITED. HOWEVER, DOCUMENTS REFERENCED HEREON MAY CONTAIN LIMITED RIGHTS DATA.

N/A	PRO/ENGINEER INFORMATION
N/A	Pro/e Model Used: GTC08AF.ASSEM
NEXT ASSEMBLY	Drawing Name: 71-604220.239

UNLESS OTHERWISE SPECIFIED
 LINEAR DIMENSIONS ARE IN INCHES
 TOLERANCES:
 .XXXX = ±.0005 ANGLES= ±2°
 .XXX = ±.010
 .XX = ±.03
 .X = ±.1
 DIM. & TOL. PER ASME Y14.5M;
 DRM PER MIL-DTL-31000;
 OTHER Amphenol Sds. PER 9-3800
 LEGENDS:
 =FLAG NOTE CALL OUT REFERENCE ONLY

SPECIFICATIONS
 MATERIAL SPEC.
 N/A
 PROCESS SPEC.
 SEE NOTE 5

POS	QTY	PART NUMBER	DESCRIPTION	NOTE
10	1	SEE COLUMN	ELBOW ASSEMBLY	
9	1	SEE COLUMN	SLEEVE	
8	1	SEE COLUMN	CLAMP ASSEMBLY	
7		SEE NOTE 8	CONTACTS	
6	1	10-748XX-()P/S	INSERT	
5	1	SEE COLUMN	SHELL, PLUG	
4	1	10-564856-XX3	COUPLING NUT	
3	1	10-564843-XX1	GASKET, MAIN JOINT	
2	1	10-564860-XX	WASHER, SKID	
1	1	10-564859-XX	WASHER, WAVED	

APPROVALS	DATE
PREPARED BY A.Prescott	28-Mar-03
ENGINEER IN CHARGE R.Barnes	
DESIGN MANAGER D.Gallusser	
DESIGN ACTIVITY GROUP C & I	
THIRD ANGLE PROJECTION	

PARTS LIST			
AMPHENOL CORPORATION 40-60 DELAWARE AVENUE SIDNEY, N.Y. 13858			
CONNECTOR, ELECTRICAL PLUG, TYPE GTC08AF(), OLIVE DRAB CADMIUM PLATED			
SIZE C	CAGE CODE 77820	DOCUMENT NO. 71-604220/239	REV. B
SCALE: 3.0		REF: 71-619220/239	SHEET 1 OF 3

71-604220/239

SHEET 1 OF 3

REV. B

C

B

A

FORMAT: C-U-L-R-V-B

71-604220/239

SHEET 1 OF 3

REV. B

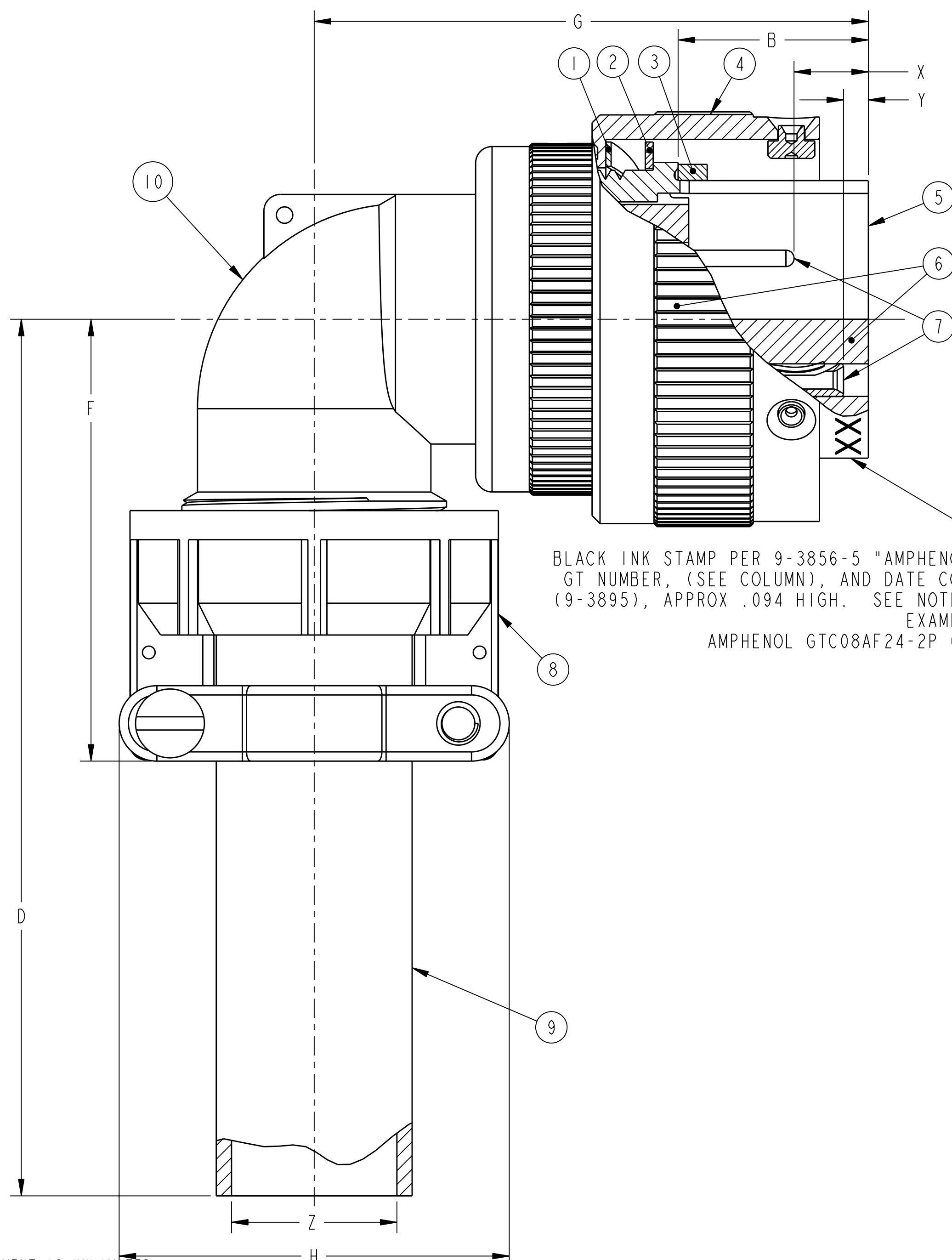
SHEET 1 OF 3

71-604220/239

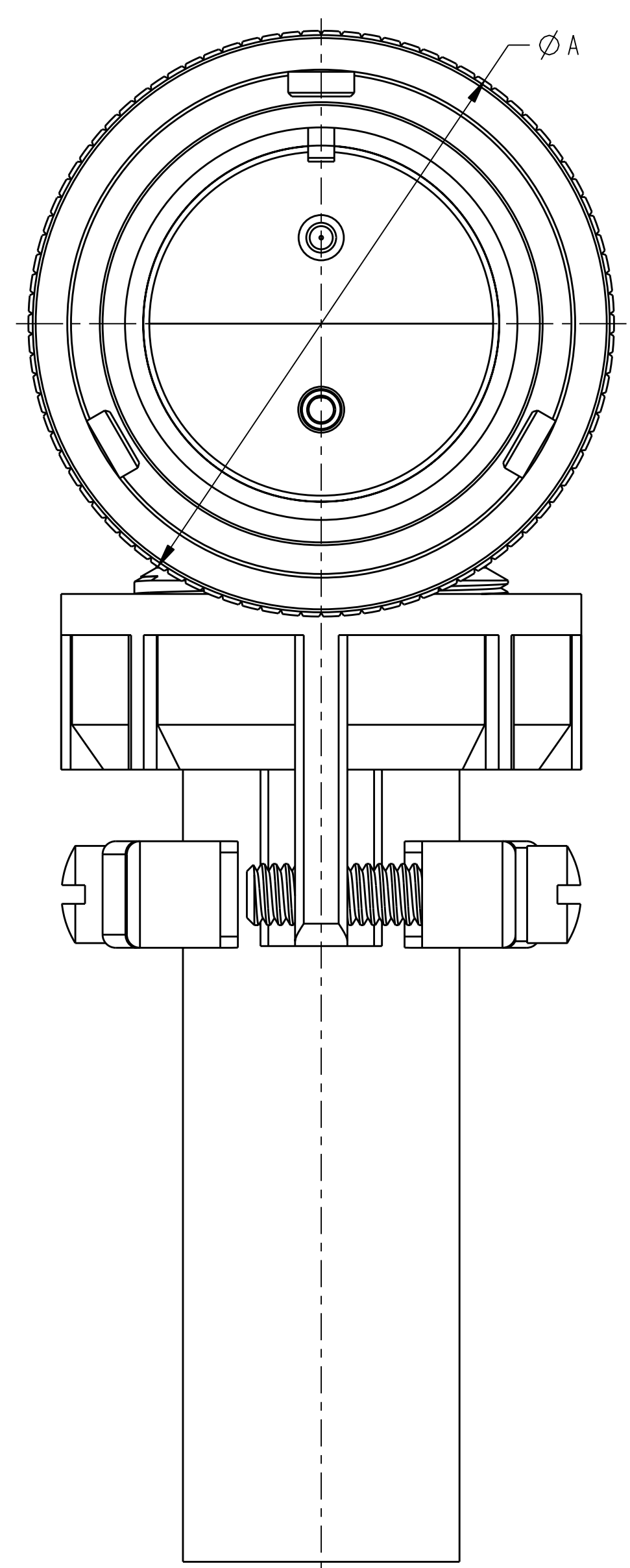
REV. B

A

REV. B



BLACK INK STAMP PER 9-3856-5 "AMPHENOL",
 GT NUMBER, (SEE COLUMN), AND DATE CODE,
 (9-3895), APPROX .094 HIGH. SEE NOTE 6.
 EXAMPLE:
 AMPHENOL GTC08AF24-2P 0352



71-604220/239 SHEET 2 OF 3 REV. B

SEE SHEET 1.
 NOTES:
 THE USE OF THIS DOCUMENT IS UNLIMITED.
 HOWEVER, DOCUMENTS REFERENCED HEREON
 MAY CONTAIN LIMITED RIGHTS DATA.

ASSEMBLY NUMBER	SIZE	GT NUMBER	SHELL	ELBOW ASSEMBLY	CABLE CLAMP	SLEEVE	A DIA MAX	B ±.005	D MAX	F MAX	G MAX	H MAX	Z MAX
71-604220-()	8S	NOT AVAILABLE											
71-604221-()	10S	NOT AVAILABLE											
71-604222-()	10SL	GTC08AF10SL-()	10-580915-113	10-610031-113	10-824810-4	10-824802-4	.897	.531	3.937	1.654	1.772	.894	.220
71-604223-()	12S	NOT AVAILABLE											
71-604224-()	12	NOT AVAILABLE											
71-604225-()	14S	GTC08AF14S-()	10-37266-14	10-610031-143	10-824810-7	10-824802-6	1.150	.531	3.937	1.654	1.850	1.083	.312
71-604226-()	14	NOT AVAILABLE											
71-604227-()	16S	GTC08AF16S-()	10-37266-16	10-610031-163	10-824810-8	10-824802-8	1.299	.531	3.937	1.772	1.890	1.181	.437
71-604228-()	16	GTC08AF16-()	10-37266-17	10-610031-173	10-824810-8	10-824802-8	1.299	.719	3.937	1.772	2.244	1.181	.437
71-604229-()	18	GTC08AF18-()	10-37266-18	10-610031-183	10-824810-10	10-824802-10	1.437	.719	3.937	2.087	2.283	1.299	.562
71-604230-()	20	GTC08AF20-()	10-37266-20	10-610031-203	10-824810-12	10-824802-12	1.571	.719	3.937	2.087	2.402	1.476	.625
71-604231-()	22	GTC08AF22-()	10-37266-22	10-610031-223	10-824810-12	10-824802-12	1.697	.719	3.937	2.087	2.402	1.476	.625
71-604232-()	24	GTC08AF24-()	10-37266-24	10-610031-243	10-824810-16	10-824802-16	1.835	.719	3.937	2.283	2.598	1.705	.750
71-604233-()	28	GTC08AF28-()	10-37266-28	10-610031-283	10-824810-16	10-824802-16	2.102	.719	3.937	2.283	2.598	1.705	.750
71-604234-()	32	GTC08AF32-()	10-37266-32	10-610031-323	10-824810-20	10-824802-20	2.366	.719	4.331	2.598	2.835	2.061	.937
71-604235-()	36	GTC08AF36-()	10-37266-36	10-610031-363	10-824810-24	10-824802-24	2.610	.719	4.331	2.717	2.953	2.283	1.250
71-604236-()	40	GTC08AF40-()	10-37266-40	10-610031-403	10-824810-28	10-824802-28	2.850	.719	5.512	3.740	3.071	2.579	1.375
71-604237/39-()		NOT AVAILABLE											

TO COMPLETE, ADD APPLICABLE INSERT ARRANGEMENT SUFFIX PER 9-2437.

SEE SHEET 1

NOTES:
THE USE OF THIS DOCUMENT IS UNLIMITED. HOWEVER, DOCUMENTS REFERENCED HEREON MAY CONTAIN LIMITED RIGHTS DATA.

SIZE C	CAGE CODE 77820	DOCUMENT NO. 71-604220/239	REV. B
SCALE: 3.0	REF. 71-619220/239	SHEET 3 OF 3	

71-604220/239 SHEET 3 OF 3 REV. B

71-604220/239 SHEET 3 OF 3 REV. B

A

A

C

C

D

X-ON Electronics

Largest Supplier of Electrical and Electronic Components

Click to view similar products for [Circular MIL Spec Connector](#) category:

Click to view products by [Amphenol](#) manufacturer:

Other Similar products are found below :

[89075GULPR](#) [0025-262-542](#) [0025-264-3014](#) [58-570121-04S](#) [0134-213-1208](#) [0134-213-2209](#) [0025-258-000](#) [60-042022-07P](#) [60-042022-19P](#)
[60-042022-23P](#) [60-042217-10P](#) [0114-201-1278](#) [012-0467-000](#) [602GB06EG24-61SN](#) [0134-201-1207](#) [0134-213-1006](#) [6104-207-2302](#) [6104-](#)
[208-1902](#) [61-168211-04P](#) [61-168617-10P](#) [6131-202-19149P](#) [6131-204-21149P](#) [6131-208-13149P](#) [6131-209-17149P](#) [6131-210-11149P](#) [6131-](#)
[211-19149P](#) [6131-216-19149P](#) [6131-259-21149P](#) [6131-259-23149P](#) [6131-265-17149P](#) [6131-265-19149P](#) [CS3100A18-1P-472](#) [CS3100A-36-](#)
[77P](#) [CS3101A-16-55P](#) [CS3102A-10SL-55P](#) [CS3102A-14S-58P](#) [CS3102A-32-17P](#) [CS3102A32-25S](#) [CS3102C18-4P-472](#)
[CS3106A10SL3S004](#) [CS3106A-18-73S](#) [CS3108A-14S-52S](#) [CS3108A-28-51S](#) [6162-233-1277](#) [6162-324-1231](#) [M243082296Z](#)
[M2884010AC1S1](#) [CT0-24-10SC](#) [CT0M20-7PCAU](#) [M28840/17AC1G3](#)