

4

3

2

1

REVISIONS				
ZONE	LTR	DESCRIPTION	DATE	APPROVED
	A	INITIAL RELEASE NUM: 70090-109		
	B	(CLII) SEE ECN 27218	10-22-93 P. Prescott	P. Prescott
	C	(CLII) CHANGED FROM: 9-3104-5 TO: 9-9238 ECN: 95259	8/2/04 A.B. Navis	J. [Signature]

13	1		10-581819-XXI	SLEEVE	12
12	1		SEE COLUMN	GROMMET	12,10
11	1		10-590986-XX3	ADAPTER	12
10	1		10-748XX-()S	INSERT, SOCKET	4
10	1		10-748XX-()P	INSERT, PIN	4
9		SEE NOTE 8		CONTACT	2,3
8	1		SEE COLUMN	ELBOW ASSEMBLY	3
7	1		10-564869-XX	SLEEVE	
6	1		10-607XX-()	GROMMET	10,13
5	1		10-564859-XX	WASHER, WAVED	
4	1		10-564860-XX	WASHER, SKID	
3	1		10-564843-XX1	GASKET	
2	1		10-564856-XX3	NUT, COUPLING	
1	1		SEE COLUMN	SHELL	

SEE SHEET 3.
NOTES:

COMPANY ID: 2
 CODED/MS/CUST: Y
 INTERNAL: N
 LOTNO: N
 DATE CODE: 9-3895
 SEE PRINT: N

UNLESS OTHERWISE SPECIFIED
 LINEAR DIMENSIONS ARE IN
 INCHES.
 TOLERANCES: .XXX±.010,
 .XX ±.03, .X ±.1,
 ANGLES ±2°.
 OTHER STANDARDS PER 9-3800
 AND DOD-D-1000.
 NOTE REF. =

FIND NO.	QTY REQD.	FSCM NO.	PART NUMBER	DESCRIPTION	NOTE REF.
PARTS LIST					
SPECIFICATIONS		SIGNATURES		DATES	
MATERIAL SPEC. N/A		PREPARED PRESCOTT		2/5/90	
		CHECKED <i>[Signature]</i>		3/7/90	
		MATERIAL <i>[Signature]</i>		3/7/90	
		APPROVED <i>[Signature]</i>		3/9/90	
PROCESS SPEC. SEE NOTE 5		APPROVED <i>[Signature]</i>		3-9-90	
		1ST PART NO. 71-580420-26P		SIZE C 77820	
				FSCM NO. 71-580410/429	
				SCALE NONE	
				WT.	
				REF 71-581240/259	
				SHEET 1 OF 3	

N/A
 N/A
 NEXT ASSEMBLY

COMPUTER GENERATED DRAWING.

00000001 01653 71-580410/429 TAB.

3/07/90 10:28 * 90066 10:07 * PREL SE * 71-580410/429 A001

71-580410/429

D

D

C

C

B

B

A

A

4

3

2

1

D

D

C

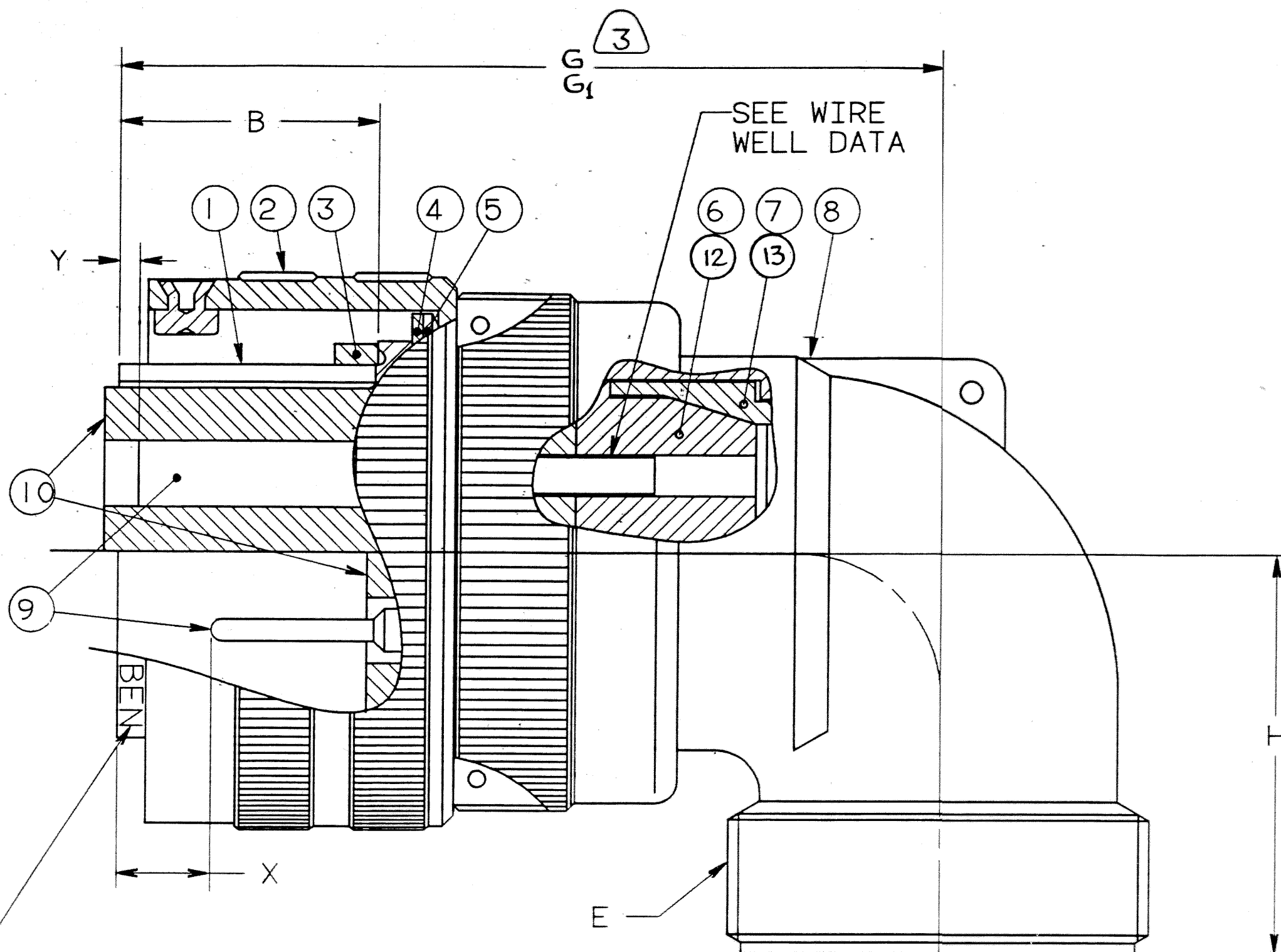
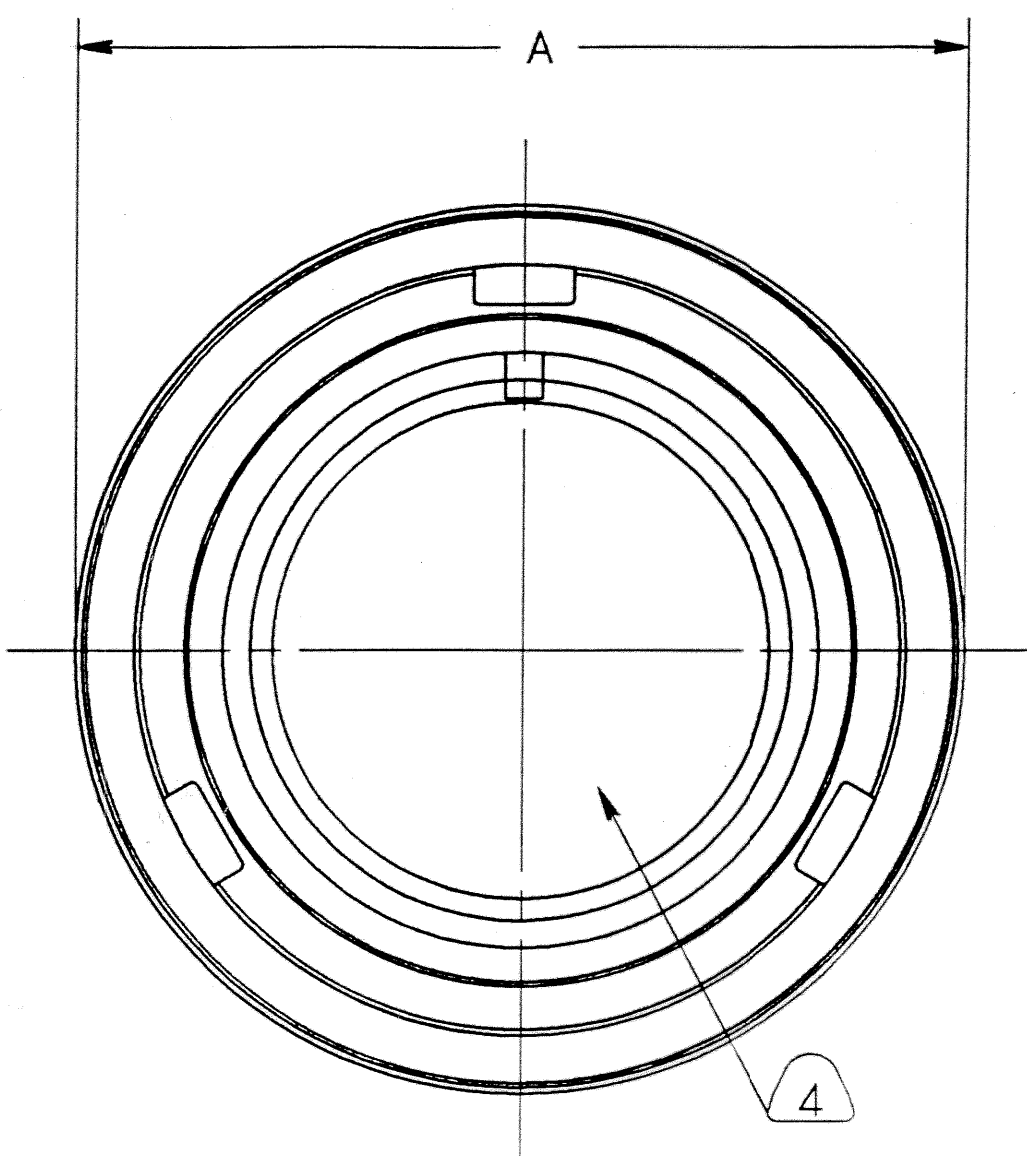
C

B

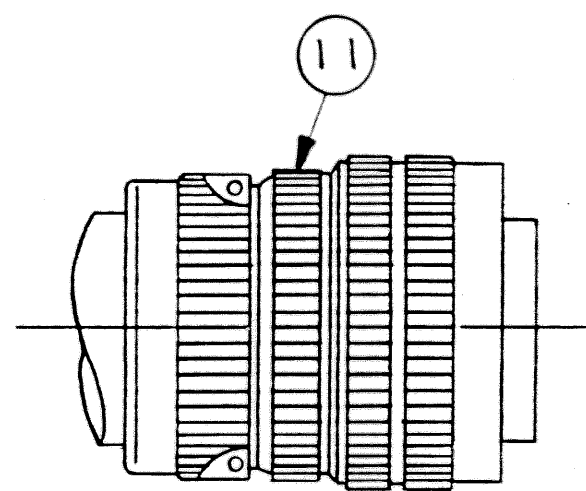
B

A

A



BLACK INK STAMP "BENDIX", GT NUMBER,
 (SEE COLUMN), AND DATE CODE, (9-3895)
 .062-.094 HIGH PER 9-3856-5.
 EXAMPLE:
 BENDIX GTC08R20-3S 9052



VIEW Z
 APPLICABLE ONLY TO
 PATTERNS WITH
 SIZE 4 & 8 CONTACTS

SEE SHEET 3.

NOTES:

THE USE OF THIS DOCUMENT IS UNLIMITED. HOWEVER, DOCUMENTS REFERENCED
 HEREON MAY CONTAIN LIMITED RIGHTS DATA.

SIZE	FSCM NO.	REV.
C	77820	71-580410/429
SCALE	WT.	REF.
		SHEET 2 OF 3

3/07/90 10:28 * 90064 10:19 * PRELSE * 71-580410/429 * 0002

ASSEMBLY NUMBER	SHELL SIZE	GT NUMBER	SHELL	GROMMET	ELBOW ASSEMBLY	A DIA MAX	B ±.005	E THREAD CLASS 2A (PLATED)	G MAX	H MAX	G1 MAX
71-580410-()	8S	NOT AVAILABLE									
71-580411-()	10S	NOT AVAILABLE									
71-580412-()	10SL	GTC08R10SL-()	10-580915-113	10-581825-()	10-580892-113	.897	.531	.6250-24UNEF	1.772	1.181	
71-580413-()	12S	NOT AVAILABLE									
71-580414-()	12	NOT AVAILABLE									
71-580415-()	14S	GTC08R14S-()	10-37266-14	10-581827-()	10-580892-143	1.150	.531	.7500-20UNEF	1.850	1.181	
71-580416-()	14	NOT AVAILABLE									
71-580417-()	16S	GTC08R16S-()	10-37266-16	10-581829-()	10-580892-163	1.300	.531	.8750-20UNEF	1.890	1.181	
71-580418-()	16	GTC08R16-()	10-37266-17	10-581830-()	10-580892-173	1.300	.719	.8750-20UNEF	2.244	1.181	3.056
71-580419-()	18	GTC08R18-()	10-37266-18	10-581831-()	10-580892-183	1.437		1.0000-20UNEF	2.283	1.377	3.095
71-580420-()	20	GTC08R20-()	10-37266-20	10-581832-()	10-580892-203	1.571		1.1875-18UNEF	2.401	1.377	3.213
71-580421-()	22	GTC08R22-()	10-37266-22	10-581833-()	10-580892-223	1.697		1.1875-18UNEF	2.401	1.377	3.415
71-580422-()	24	GTC08R24-()	10-37266-24	10-581834-()	10-580892-243	1.835		1.4375-18UNEF	2.598	1.575	3.232
71-580423-()	28	GTC08R28-()	10-37266-28	10-581835-()	10-580892-283	2.102		1.4375-18UNEF	2.598	1.575	3.692
71-580424-()	32	GTC08R32-()	10-37266-32	10-581836-()	10-580892-323	2.366		1.7500-18UNS	2.835	1.771	3.908
71-580425-()	36	GTC08R36-()	10-37266-36	10-581837-()	10-580892-363	2.610		2.0000-18UNS	2.952	1.968	4.171
71-580426-()	40	GTC08R40-()	10-37266-40	10-581838-()	10-580892-403	2.850		2.2500-16UN	3.071	2.165	4.280
71-580427/429-()		NOT AVAILABLE									

SEE NOTE 10

TO COMPLETE, ADD APPLICABLE INSERT ARRANGEMENT SUFFIX PER 9-2437.

13. INDICATED ITEMS, (F/N'S 6 & 7), ARE APPLICABLE TO CONNECTORS CONTAINING CONTACT ARRANGEMENTS OTHER THAN THOSE SPECIFIED IN NOTE 12.
12. INDICATED ITEMS, (F/N'S 11, 12 & 13), ARE APPLICABLE TO CONNECTORS CONTAINING CONTACT SIZES 4 & 8.
11. INDICATED LENGTH APPLIES TO CONNECTORS WITH CONTACT PATTERNS CONTAINING SZ 4 OR 8 CONTACTS.
10. TO COMPLETE GROMMET PART NO., ADD APPLICABLE ARRANGEMENT SUFFIX.
9. PACKAGE PER PRODUCTION PROCESS SHEET.
8. SEE SEPARATE PARTS LIST FOR COMPONENT PART NUMBERS AND QUANTITIES.
7. FOR MATING CONNECTOR ASSEMBLIES, SEE 71-580960/979 AND OTHERS.
6. SEE WORK ORDER FOR PERMISSIBLE ADDITIONAL OR ALTERNATE STAMPING.
5. PROCESS SPEC:
 ASSY 9-9038
 TEST 9-3106-18
 9-3856-5, 9-3895, 9-2437
4. INSERTS ARE NOT REMOVABLE.
3. DRAWING ILLUSTRATES FINAL ASSEMBLY. FOR STORAGE AND SHIPPING, ELBOW ASSEMBLY MUST BE LOOSELY COUPLED. CONTACTS ARE SHIPPED UNASSEMBLED. FOR FINAL INSTALLATION, CONTACTS MUST BE ASSEMBLED INTO ALL INSERT HOLES. ALL UNUSED GROMMET HOLES MUST BE FILLED WITH THE APPROPRIATE SIZE SEALING PLUG.
2. FOR CONTACT SIZE, SPACING AND SERVICE RATING, SEE MIL-STD-1651 OR L-11908-() THRU L-11948-().
1. UNIT MEETS THE APPLICABLE REQUIREMENTS OF MIL-C-5015.

CONTACT SIZE	SHELL SIZE	X	Y ±.040
16 SHORT	10SL, 14S, 16S	.087±.039	.079
16 LONG	16 THRU 40	.260 ^{+.052} _{-.041}	.102
12	16 THRU 40	.118 ^{+.039} _{-.056}	.102
4,8,0	16 THRU 40	.091±.039	.102

WIRE WELL DATA					
CONTACT SIZE	0	4	8	12	16
WELL DIA	.453±.005	.281 ^{+.005} _{-.004}	.179 ^{+.004} _{-.002}	.098 ^{+.004} _{-.001}	.063 ^{+.004} _{-.001}
WELL DEPTH	^{+.031} _{-.000}	.592	.500	.500	.250

NOTES:

THE USE OF THIS DOCUMENT IS UNLIMITED. HOWEVER, DOCUMENTS REFERENCED HEREON MAY CONTAIN LIMITED RIGHTS DATA.

SIZE	FSCM NO.	REV.
C	77820	71-580410/429
SCALE	WT.	REF
NONE		N/A
SHEET		3

71-580410/429

X-ON Electronics

Largest Supplier of Electrical and Electronic Components

Click to view similar products for [Circular MIL Spec Connector](#) category:

Click to view products by [Amphenol](#) manufacturer:

Other Similar products are found below :

[89075GULPR](#) [0025-262-542](#) [0025-264-3014](#) [58-570121-04S](#) [0134-213-1208](#) [0134-213-2209](#) [0025-258-000](#) [60-042022-07P](#) [60-042022-19P](#)
[60-042022-23P](#) [60-042217-10P](#) [0114-201-1278](#) [012-0467-000](#) [602GB06EG24-61SN](#) [0134-201-1207](#) [0134-213-1006](#) [6104-207-2302](#) [6104-](#)
[208-1902](#) [61-168211-04P](#) [61-168617-10P](#) [6131-202-19149P](#) [6131-204-21149P](#) [6131-208-13149P](#) [6131-209-17149P](#) [6131-210-11149P](#) [6131-](#)
[211-19149P](#) [6131-216-19149P](#) [6131-259-21149P](#) [6131-259-23149P](#) [6131-265-17149P](#) [6131-265-19149P](#) [CS3100A18-1P-472](#) [CS3100A-36-](#)
[77P](#) [CS3101A-16-55P](#) [CS3102A-10SL-55P](#) [CS3102A-14S-58P](#) [CS3102A-32-17P](#) [CS3102A32-25S](#) [CS3102C18-4P-472](#)
[CS3106A10SL3S004](#) [CS3106A-18-73S](#) [CS3108A-14S-52S](#) [CS3108A-28-51S](#) [6162-233-1277](#) [6162-324-1231](#) [M243082296Z](#)
[M2884010AC1S1](#) [CT0-24-10SC](#) [CT0M20-7PCAU](#) [M28840/17AC1G3](#)