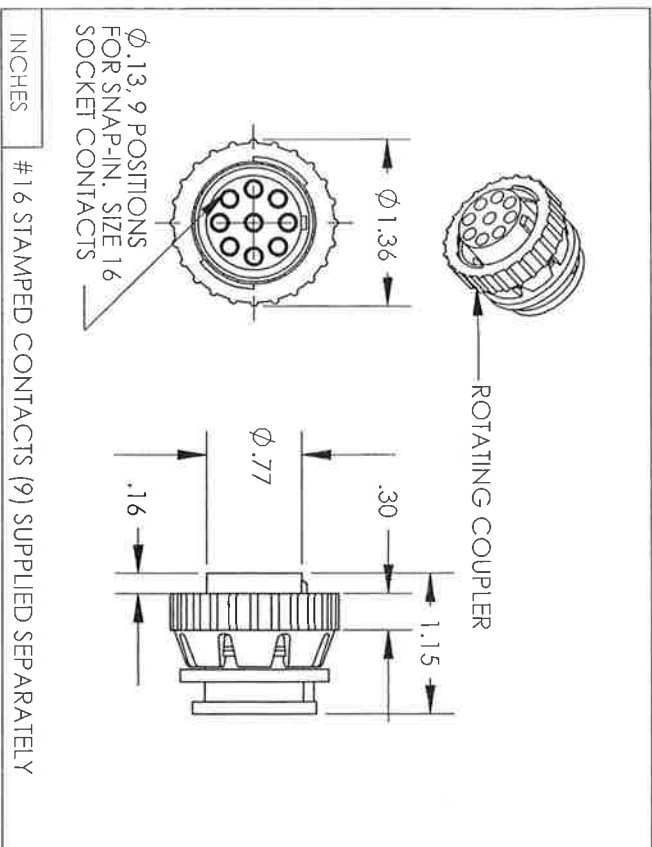


**ALDEN**

PRODUCTS COMPANY

5000 VOLTS DC  
PIN TO PIN  
9 PIN CIRCULAR PLUG

PRODUCT DATA SHEET H403



MATERIAL: POLYESTER (BODY) & NYLON (COUPLER)

COLOR: BLACK

SUPPLIED WITH 9 CRIMP SOCKETS FOR 18-20 AWG  
INSULATED WIRE TERMINATION

OTHER WIRE GAGE SIZES AVAILABLE UPON REQUEST

MATES WITH: H4 SERIES

**ELECTRICAL**

TESTED TO: 7KVDC

AVAILABLE OPTIONAL STRAIN RELIEF,

H411: 90° OR H414: STRAIGHT

RATINGS LISTED APPLY TO CLEAN AND DRY MATED PAIRS IN STANDARD ATMOSPHERIC CONDITIONS. NO WARRANTY OF MERCHANTABILITY OR OF FITNESS FOR A PARTICULAR PURPOSE IS MADE AND ALL CUSTOMERS MUST TEST EACH COMPONENT TO DETERMINE THAT IT MEETS THEIR OPERATING REQUIREMENTS. RATINGS REFLECT UPPER OPERATING VOLTAGE LIMITS UNDER OPTIMUM ENVIRONMENTAL CONDITIONS IN NORMAL USE. CUSTOMERS MUST ADD THE SAFETY FACTORS REQUIRED FOR THEIR SPECIFIC APPLICATIONS OR DERATE THE CONNECTOR AS NECESSARY TO ACCOMMODATE ANY ADVERSE ENVIRONMENTAL OR OPERATIONAL CONDITIONS SPECIFIC TO THE END USE.

## X-ON Electronics

Largest Supplier of Electrical and Electronic Components

*Click to view similar products for [Standard Circular Connector](#) category:*

*Click to view products by [Amphenol](#) manufacturer:*

Other Similar products are found below :

[600273N007](#) [6134-336-13149](#) [6134-337-11149](#) [6134-337-2390](#) [6134-341-17149](#) [6280-4SG-516](#) [6280-7SG-3DC](#) [6282-2SG-315](#) [66200A-10](#)  
[67-02E12-60PX](#) [680-SMG](#) [CXS3102A181S](#) [7251-5SG-300](#) [7282-3PG-300-CH3](#) [75-190218-10P](#) [75-190611-03S](#) [75-474014-05S](#) [75-474118-](#)  
[10P](#) [75-474211-03P](#) [75-474218-19S](#) [75-474618-01S](#) [75-474618-04P](#) [75-474618-04S](#) [75-474620-07P](#) [799539-000](#) [MI8-SE](#) [80-190222-18P](#)  
[805-005-07NF11-19PC](#) [805-005-07NF15-7PA](#) [8280-7PG-519](#) [8282-5PG-519](#) [862256-1](#) [866857-1](#) [867865-1](#) [PT08P-14-19S](#) [PT08P-14-5S](#)  
[PT08P-8-3S](#) [120-1833-000](#) [QCM019PC2DC012B](#) [121583-0217](#) [HEX40-AB-00-21-A9-1](#) [121667-0020](#) [RD10A16-19-P6CS051/1](#) [RD16A14-](#)  
[12-S6CS051/2](#) [1301240347](#) [1301790476](#) [1301240268](#) [1301240275](#) [1301860183](#) [1301860906](#)