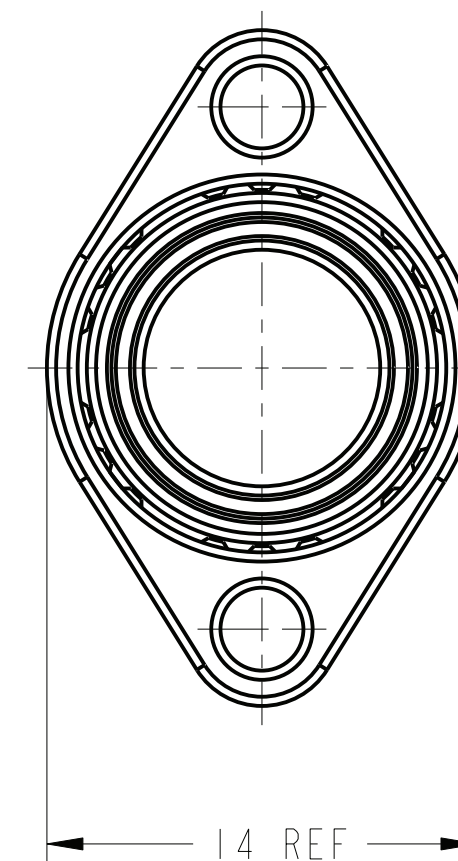
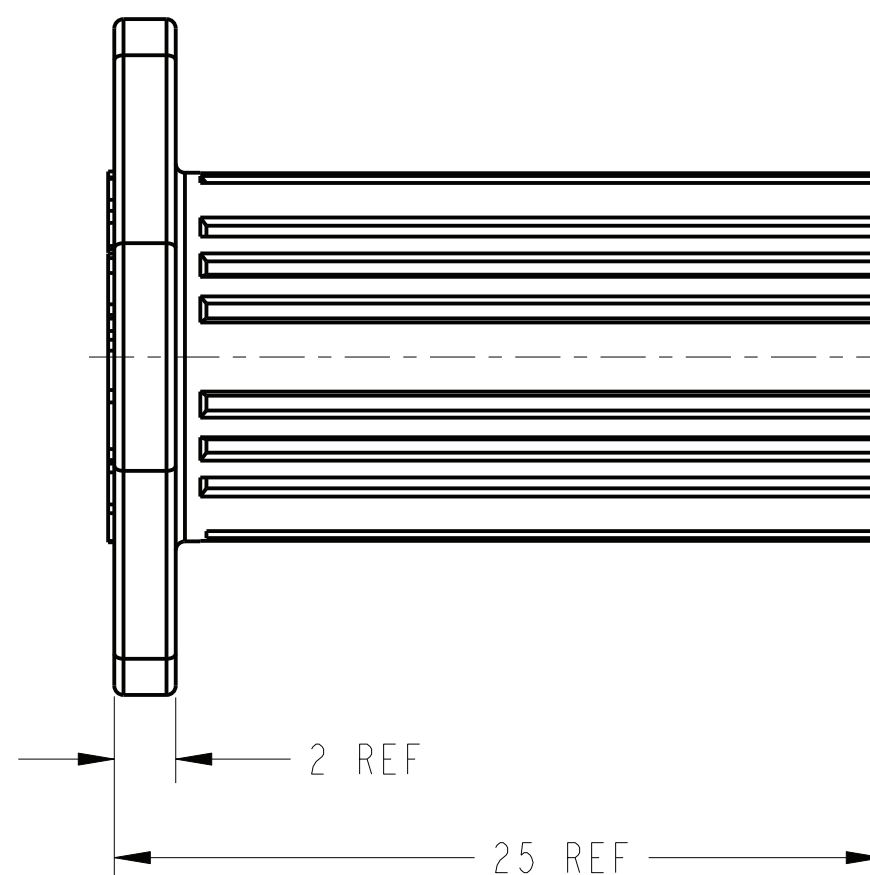
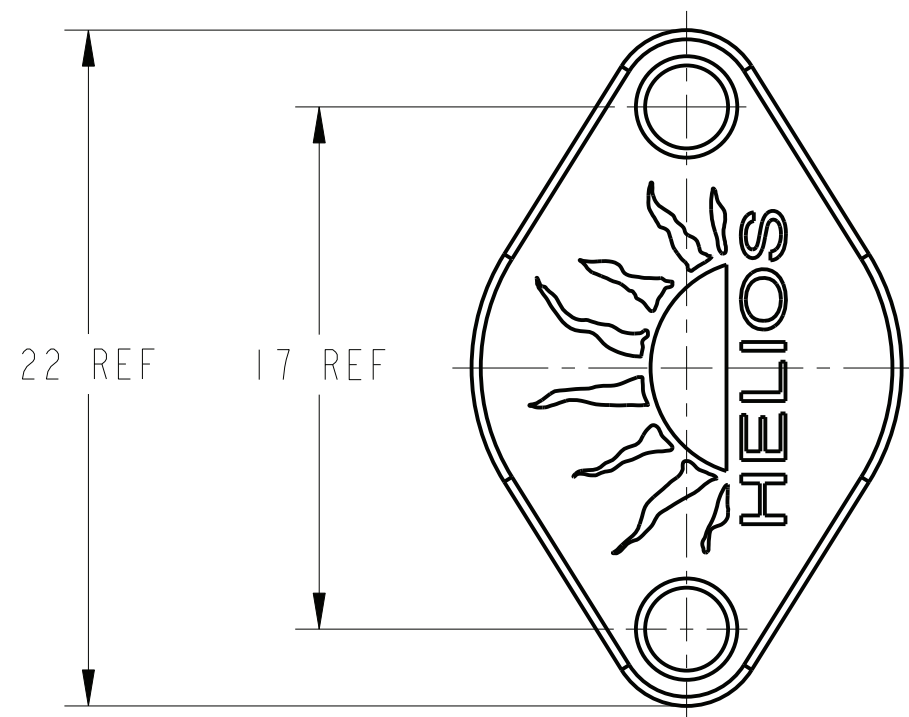
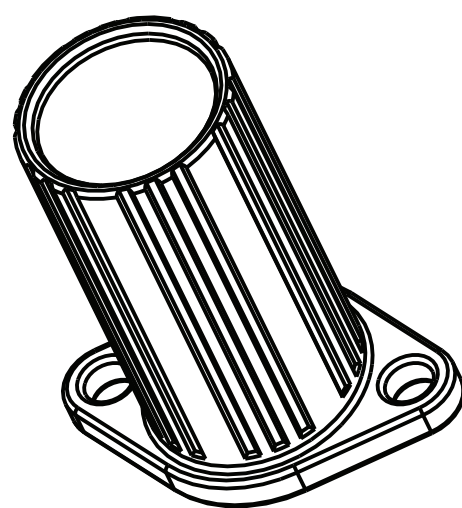


DOCUMENT NO. H4PF		SHEET 1 OF 1	
REVISIONS			
LTR	DESCRIPTION	DATE	
A	INITIAL RELEASE	2009-11-19	
B	REVISED DIMENSIONS	2010-11-29	

CUSTOMER DRAWING



2. H4PF IS CUSTOMER P/N FOR FEMALE SEALING CAP.
PV-080508-F08 IS MANUFACTURE P/N FOR THIS PART.

1. THE REFERENCED MATERIAL SHALL BE CERTIFIED COMPLIANT TO
THE 2002/95/EC RoHS DIRECTIVE AS AMENDED PER 2005/618/EC.

NOTES:

THIS DOCUMENT CONTAINS PROPRIETARY INFORMATION AND SUCH INFORMATION MAY NOT BE DISCLOSED TO OTHERS FOR ANY PURPOSE OR USED FOR MANUFACTURING PURPOSES WITHOUT WRITTEN PERMISSION FROM THE AMPHENOL CORP.

N/A
NEXT ASSEMBLY
METRIC DOCUMENT

PRO/ENGINEER INFORMATION
Pro/e Model Used:
PV-080508-F08.PART
Drawing Name:
PV-080508-F08-CUSTOEMDRAWING

UNLESS OTHERWISE SPECIFIED	SPECIFICATIONS	POS	QTY	PART NUMBER	DESCRIPTION	NOTE		
LINEAR DIMENSIONS ARE IN: MILLIMETERS TOLERANCES: ANGLES= ±2° DEFAULT LINEAR TOLERANCES SEE TABLE DIM. & TOL. PER ASME Y14.5M-1994; DRG PER MIL-DTL-31000; OTHER AMPHENOL STANDARDS: 9-9318 LEGENDS: △=FLAG NOTE CALL OUT REFERENCE ONLY	MATERIAL SPEC.	APPROVALS		DATE	PARTS LIST			
	N/A	PREPARED BY			AMPHENOL INDUSTRIAL OPERATIONS Block 5, Fuan 2nd Industrial Park, Dayang Road, Dayang Development Zone, Fuyong Town, Baoan, Shenzhen, PRC			
	PROCESS SPEC.	ENGINEER IN CHARGE		2010-11-29	SEALING CAP FOR PV-FEMALE			
	N/A	DESIGN MANAGER			DESIGN ACTIVITY GROUP	C&I		
		THIRD ANGLE PROJECTION			SIZE	CAGE CODE	DOCUMENT NO.	REV.
					C	77820	H4PF	B
		SCALE: 0.1			REF.	SHEET 1 OF 1		

X-ON Electronics

Largest Supplier of Electrical and Electronic Components

Click to view similar products for [Solar Connectors / Photovoltaic Connectors](#) category:

Click to view products by [Amphenol](#) manufacturer:

Other Similar products are found below :

[1740699-7](#) [1971861-4](#) [1971131-4](#) [1971858-3](#) [1971861-3](#) [PV-090508-F03](#) [PV-090508-M10](#) [PV-090510-F03](#) [2270184-3](#) [2270154-2](#)
[2270226-4](#) [PV-090508-M06-N](#) [1987558-2](#) [PV-090506-F03](#) [UTXPM](#) [UTXPF](#) [UTXCMB6AM](#) [1627092](#) [1017635](#) [1-2306314-1](#) [1-2306314-2](#)
[1302440201](#) [1303450000](#) [PV-STICK+](#) [VPE10](#) [2-1971862-2](#) [H4CMC6DM](#) [1705996](#) [1705995](#) [1971858-2](#) [5-2306317-2](#) [1704926](#)
[H4CFC4DIS](#) [H4CFC4DC](#) [H4CFC4DM](#) [H4CFC6DM](#) [H4CFM2DI](#) [H4CFM6DI](#) [H4CMC2DI](#) [H4CMC8DM](#) [H4CME8UM](#) [H4CMM6DI](#)
[H4CMC4DMS](#) [H4CMC4DIS](#) [H4PF](#) [H4PM](#) [HGLUI](#) [PWJ-03BMMB-LL8001](#) [UTXCFA0AM](#) [UTXCFA4BMH](#) [UTXCMA0AM](#)
[UTXCMA4AM](#)