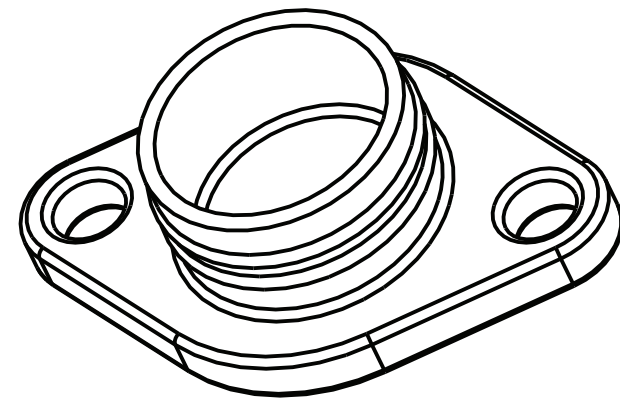
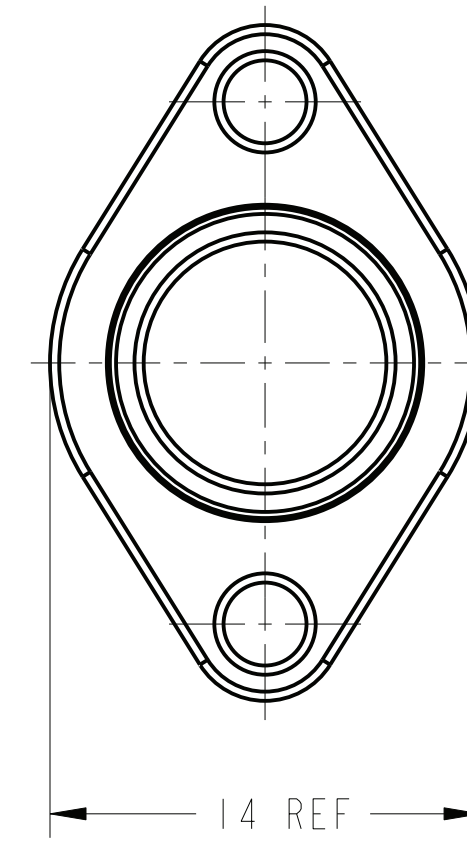
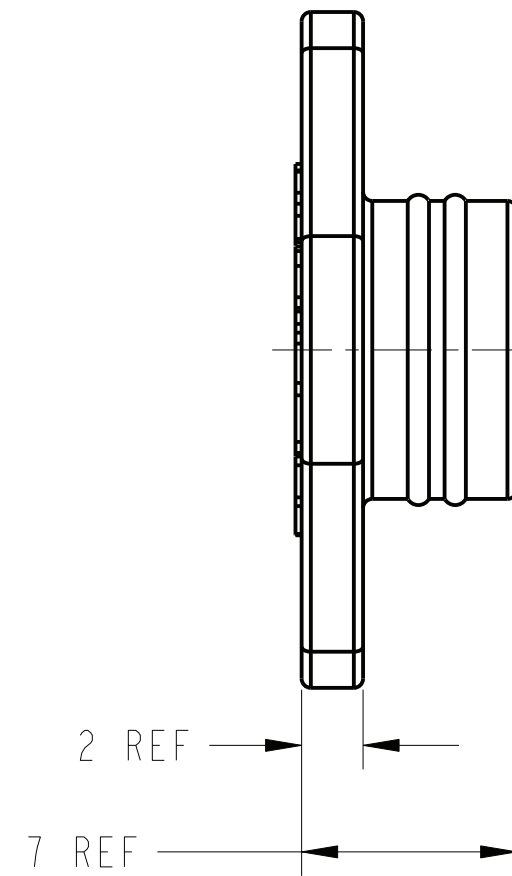
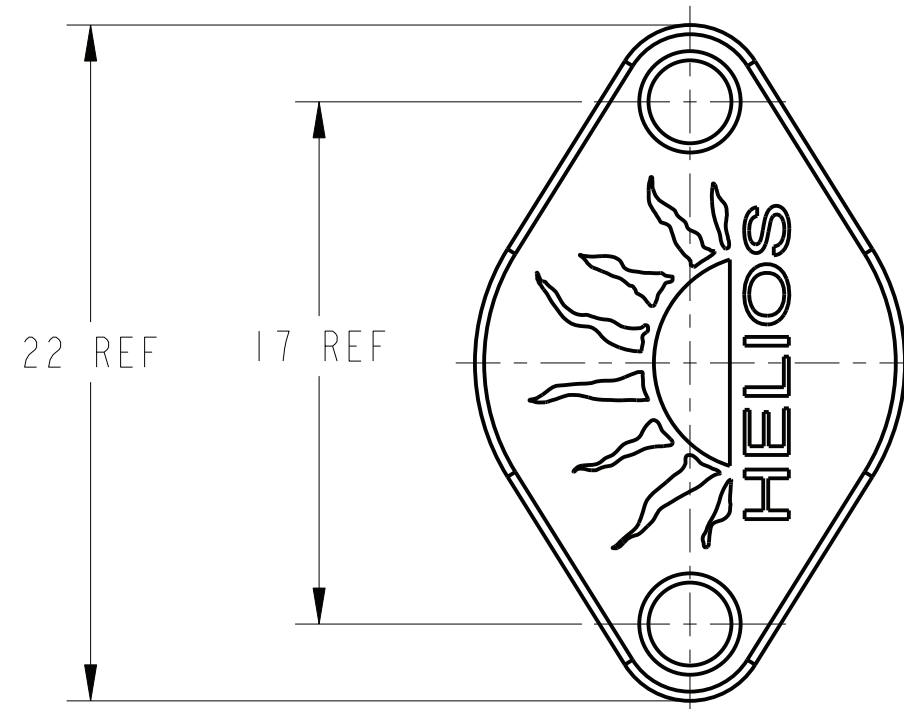


DOCUMENT NO. H4PM		SHEET 1 OF 1		REV. B	
REVISIONS					
LTR	DESCRIPTION	DATE			
A	INITIAL RELEASE	2009-11-19			
B	REVISED DIMENSIONS	2010-11-29			



CUSTOMER DRAWING



- NOTES:**
- H4PM IS CUSTOMER P/N FOR MALE SEALING CAP. PV-080508-M08 IS MANUFACTURE P/N FOR THIS PART.
 - THE REFERENCED MATERIAL SHALL BE CERTIFIED COMPLIANT TO THE 2002/95/EC RoHS DIRECTIVE AS AMENDED PER 2005/618/EC.

THIS DOCUMENT CONTAINS PROPRIETARY INFORMATION AND SUCH INFORMATION MAY NOT BE DISCLOSED TO OTHERS FOR ANY PURPOSE OR USED FOR MANUFACTURING PURPOSES WITHOUT WRITTEN PERMISSION FROM THE AMPHENOL CORP.

N/A
NEXT ASSEMBLY
METRIC DOCUMENT

PRO/ENGINEER INFORMATION
 Pro/e Model Used:
 PV-080508-M08.PART
 Drawing Name:
 PV-080508-M08-CUSTOMERDRAWING

UNLESS OTHERWISE SPECIFIED	SPECIFICATIONS	POS	QTY	PART NUMBER	DESCRIPTION	NOTE		
LINEAR DIMENSIONS ARE IN: MILLIMETERS TOLERANCES: ANGLES= ±2° DEFAULT LINEAR TOLERANCES SEE TABLE ----- DIM. & TOL. PER ASME Y14.5M-1994; DRG PER MIL-DTL-31000; OTHER AMPHENOL STANDARDS: 9-9318 LEGENDS: △=FLAG NOTE CALL OUT REFERENCE ONLY	MATERIAL SPEC.	APPROVALS		DATE	PARTS LIST			
	N/A	PREPARED BY	2010-11-29		AMPHENOL INDUSTRIAL OPERATIONS Block 5, Fuan 2nd Industrial Park, Dayang Road, Dayang Development Zone, Fuyong Town, Baoan, Shenzhen, PRC			
	PROCESS SPEC.	ENGINEER IN CHARGE	C&I		SEALING CAP FOR PV-MALE			
	N/A	DESIGN MANAGER	THIRD ANGLE PROJECTION		SIZE	CAGE CODE	DOCUMENT NO.	REV.
					C	77820	H4PM	B
					SCALE: 0.2	REF. -	SHEET 1 OF 1	

X-ON Electronics

Largest Supplier of Electrical and Electronic Components

Click to view similar products for [Solar Connectors / Photovoltaic Connectors](#) category:

Click to view products by [Amphenol](#) manufacturer:

Other Similar products are found below :

[1740699-7](#) [1971861-4](#) [1971131-4](#) [1971858-3](#) [1971861-3](#) [PV-090508-F03](#) [PV-090508-M10](#) [PV-090510-F03](#) [2270184-3](#) [2270154-2](#)
[2270226-4](#) [PV-090508-M06-N](#) [1987558-2](#) [PV-090506-F03](#) [UTXPM](#) [UTXPF](#) [UTXCMB6AM](#) [1627092](#) [1017635](#) [1-2306314-1](#) [1-2306314-2](#)
[1302440201](#) [1303450000](#) [PV-STICK+](#) [VPE10](#) [2-1971862-2](#) [H4CMC6DM](#) [1705996](#) [1705995](#) [1971858-2](#) [5-2306317-2](#) [1704926](#)
[H4CFC4DIS](#) [H4CFC4DC](#) [H4CFC4DM](#) [H4CFC6DM](#) [H4CFM2DI](#) [H4CFM6DI](#) [H4CMC2DI](#) [H4CMC8DM](#) [H4CME8UM](#) [H4CMM6DI](#)
[H4CMC4DMS](#) [H4CMC4DIS](#) [H4PF](#) [H4PM](#) [PWJ-03BMMB-LL8001](#) [UTXCFA0AM](#) [UTXCFA4BMH](#) [UTXCMA0AM](#) [UTXCMA4AM](#)
[UTXCMA4BMH](#)