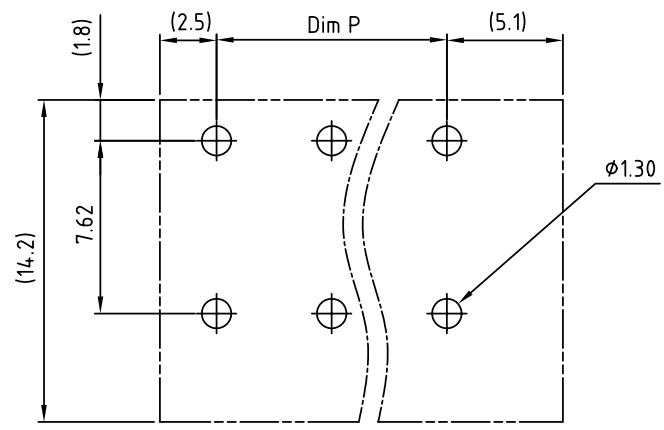
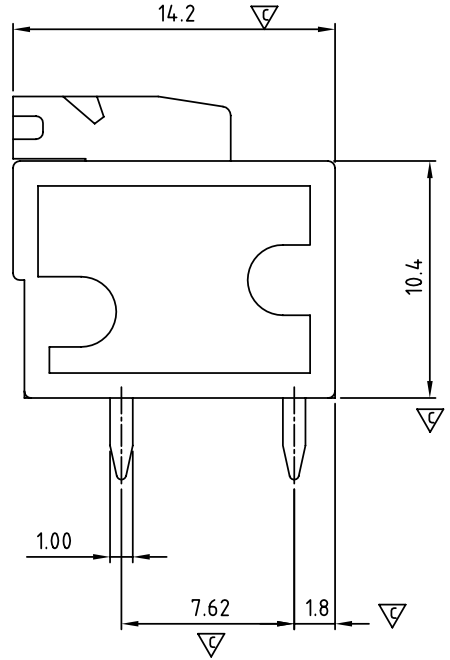
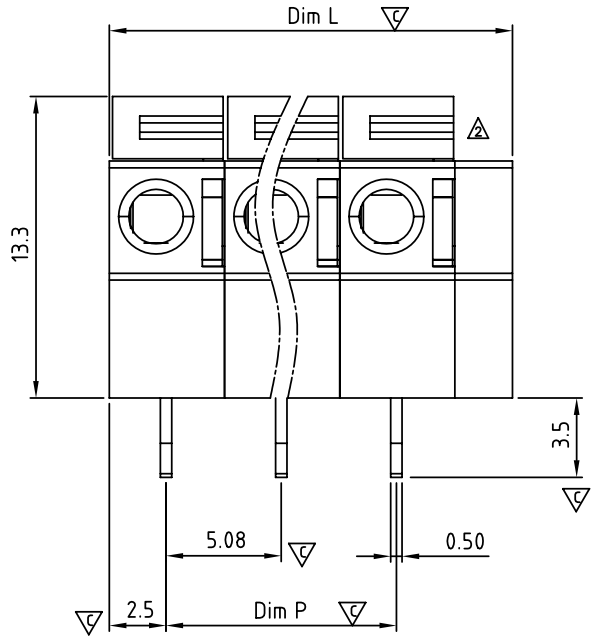


SIGN	DATE	DESCRIPTION	APPROVER
△	01/20'07	The Soldering temperature from 245° to 250°	Aaron
△	2010.08.12	The design is changed	Chen Bo
△	2012.07.18	The tolerance are added	Runner

THIS IS CAD DRAWING, DO NOT REVISE MANUALLY!!!



P.C.B. LAYOUT

△ N = Number of poles
 Dim L=(N×5.08)+2.54
 Dim P=(N-1)×5.08

Poles	Dim L	Dim P
2-6p	±0.20	
7-12p	±0.25	
13-24p	±0.40	

Material

- Terminal lever: Thermoplastic (UL94 V-0) Orange RAL2011/P
- Terminal housing: Thermoplastic (UL94 V-0)
- Terminal cover: Thermoplastic (UL94V-0)
- Solder Pin : Brass Tin plated
- Wire guard: Stainless steel

Electrical cULus/VDE

- Voltage rating: 300VAC/250VAC
- Current rating: 10A/10A
- Wire range: 0.75-1.5mm²
- Solid wire(AWG): 14-24
- Stranded wire(AWG): 14-24
- Wire strip length: 9-10mm
- Withstanding Voltage: 1.6KV/2KV
- Operating temperature: -40°C to +115°C
- Soldering temperature: 250°C±10°C/5 Sec △
- Safety Approval:
- Critical dimension:

HA xx 01 x 0 xxxx G

- 02 2 Poles
- 03 3 Poles
-
- 24 24 Poles

Body color

- 2 Red
- 3 Orange
- 5 Green(RAL6018/T)
- 8 Grey(RAL7004/P)

RoHS compliant (lead<4%)
In copper Alloy

0000: "@" Logo (Standard)
000A: "ANYTEK" Mark

Any special item by customer request.
please contact sales department.

ANYTEK				CUSTOMER COPY				
								ALL RIGHTS RESERVED. REPRODUCTION OR ISSUE TO THIRD PARTIES IN ANY FORM WHATSOEVER IS NOT PERMITTED WITHOUT WRITTEN AUTHORITY FROM THE PROPRIETOR. PROPERTY OF ANYTEK TECHNOLOGY CO., LTD
TITLE		HA-5.08mm 180° series						
PART NO.		HAxx01x0xxxxG			DWG NO.		8HA0102	
APPROVED		CHECKED	DESIGNED	DRAWN	CUST NO.		Tolerance	
			Runner 2012.07.18	Chen Bo 2010.08.12			UNIT: mm	
					SHEET: 01/01		SCALE: NONE	
							X. ±0.50	
							X.X ±0.30	
							X.XX ±0.10	
							X° ±1°	

X-ON Electronics

Largest Supplier of Electrical and Electronic Components

Click to view similar products for [Fixed Terminal Blocks](#) category:

Click to view products by [Amphenol](#) manufacturer:

Other Similar products are found below :

[MBE-1512](#) [MBE-1520](#) [MBE-154](#) [MBE-156](#) [MBES-156](#) [MH-2512](#) [MHE-132](#) [MHE-163](#) [MI-254 \(35\)](#) [MI-272](#) [MPT-275](#) [ELM10110G](#)
[BA311TU](#) [BA411SU](#) [MV-253/NCNOC](#) [MV-254-D](#) [MV-255](#) [MV-493](#) [MVE-252](#) [MVE-253](#) [MVE-273](#) [MVEB-153](#) [1700096](#) [1705142](#)
[1712417](#) [1713088](#) [1745195](#) [1760594](#) [1-796689-8](#) [1-796692-6](#) [1800114](#) [20020314-C121B01LF](#) [20020316-G041B01LF](#) [KP03215000J0G](#)
[KP04215000J0G](#) [S451](#) [29.007](#) [29.116](#) [30.103](#) [30.106](#) [30.503](#) [30.608](#) [30.755](#) [30.756](#) [30.853](#) [9872-0-00-15-00-00-33-0](#) [996750](#) [1706303](#)
[1710052](#) [1712418](#)