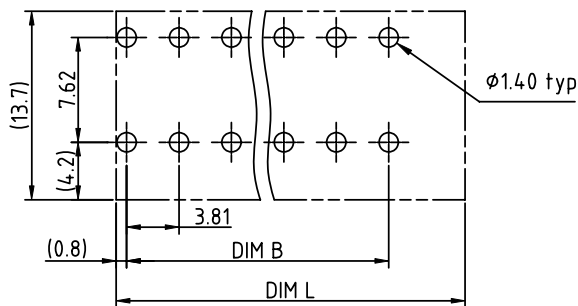
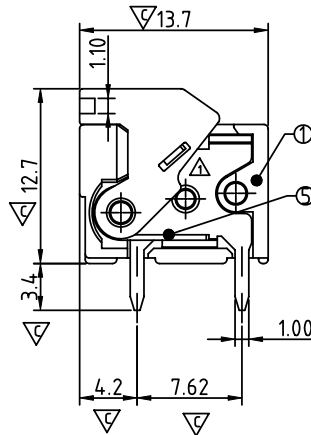
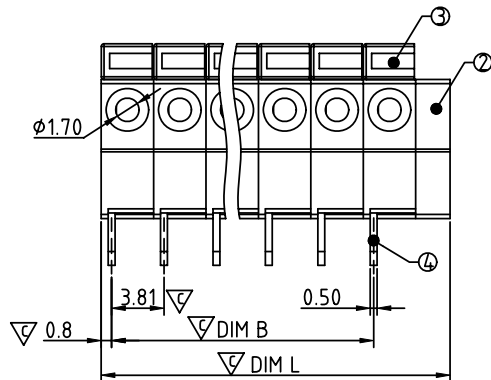
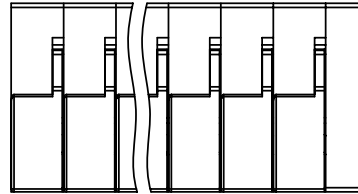


SIGN	DATE	DESCRIPTION	APPROVER
△	07/23'13	change the structure///update the drawing	Da cheng
△			
△			

THIS IS CAD DRAWING, DO NOT REVISE MANUALLY!!!



△ P.C.B. LAYOUT
Top view

N = Number of poles
 Dim L = N x 3.81 + 2.5
 Dim B = (N - 1) x 3.81

	Dim L	Dim B
2-5p	±0.10	±0.10
6-10p	±0.15	±0.15
11-15p	±0.20	±0.20
16-20p	±0.25	±0.25
21-24p	±0.30	±0.30

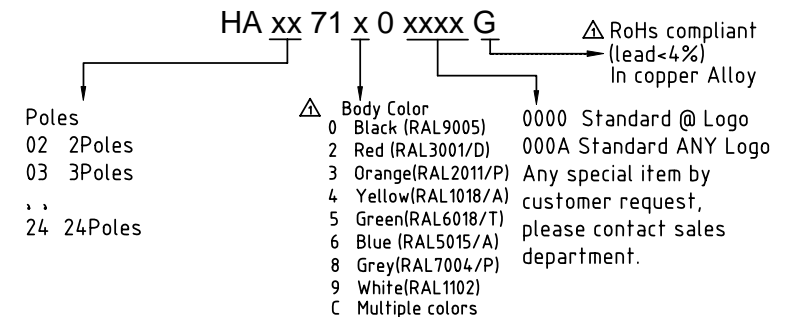
Material

- Item ① Terminal body Thermoplastic (UL94V-0)
- Item ② Terminal cover Thermoplastic (UL94V-0)
- △ ● Item ③ Terminal lever Thermoplastic (UL94V-0) Orange(RAL2011/P)
- Item ④ Solder pin Brass, Tin plated
- Item ⑤ Spring clamp Stainless steel

Electrical cULus

- Voltage rating: 300VAC
- Current rating: 6A
- Wire range:
- Solid wire(AWG): 16-26
- Stranded wire(AWG): 16-26
- Withstanding Voltage: 1.6KV
- Operating temperature: -40°C to +115°C
- △ ● Soldering temperature: 260°C±5°C/5 Sec
- Safety Approval:
- △ ● Critical dimension:

PART NO.



ANYTEK

CUSTOMER COPY

ALL RIGHTS RESERVED. REPRODUCTION OR ISSUE TO THIRD PARTIES IN ANY FORM WHATSOEVER IS NOT PERMITTED WITHOUT WRITTEN AUTHORITY FROM THE PROPRIETOR. PROPERTY OF ANYTEK TECHNOLOGY CO., LTD

TITLE	HA 3.81 Series Horizontal (180D wire inlet)			
PART NO.	HAxx71x0xxxxG	DWG NO.	8HA0801	
APPROVED	CHECKED	DESIGNED	DRAWN	CUST NO.
		Da cheng 2013.07.04	Da cheng 2013.07.04	
SHEET: 01/01				Tolerance X. ±0.50 X.X ±0.30 X.XX ±0.10 X* ±1*
			UNIT: mm	
			SCALE: NONE	
			REV: C	

X-ON Electronics

Largest Supplier of Electrical and Electronic Components

Click to view similar products for [Fixed Terminal Blocks](#) category:

Click to view products by [Amphenol](#) manufacturer:

Other Similar products are found below :

[MBE-1512](#) [MBE-1520](#) [MBE-154](#) [MBE-156](#) [MBES-156](#) [MH-2512](#) [MHE-132](#) [MHE-163](#) [MI-254 \(35\)](#) [MI-272](#) [MPT-275](#) [ELM10110G](#)
[BA311TU](#) [BA411SU](#) [MV-253/NCNOC](#) [MV-254-D](#) [MV-255](#) [MV-493](#) [MVE-252](#) [MVE-253](#) [MVE-273](#) [MVEB-153](#) [1700096](#) [1705142](#)
[1712417](#) [1713088](#) [1745195](#) [1760594](#) [1-796689-8](#) [1-796692-6](#) [1800114](#) [20020314-C121B01LF](#) [20020316-G041B01LF](#) [KP03215000J0G](#)
[KP04215000J0G](#) [S451](#) [29.007](#) [29.116](#) [30.103](#) [30.106](#) [30.503](#) [30.608](#) [30.755](#) [30.756](#) [30.853](#) [9872-0-00-15-00-00-33-0](#) [996750](#) [1706303](#)
[1710052](#) [1712418](#)