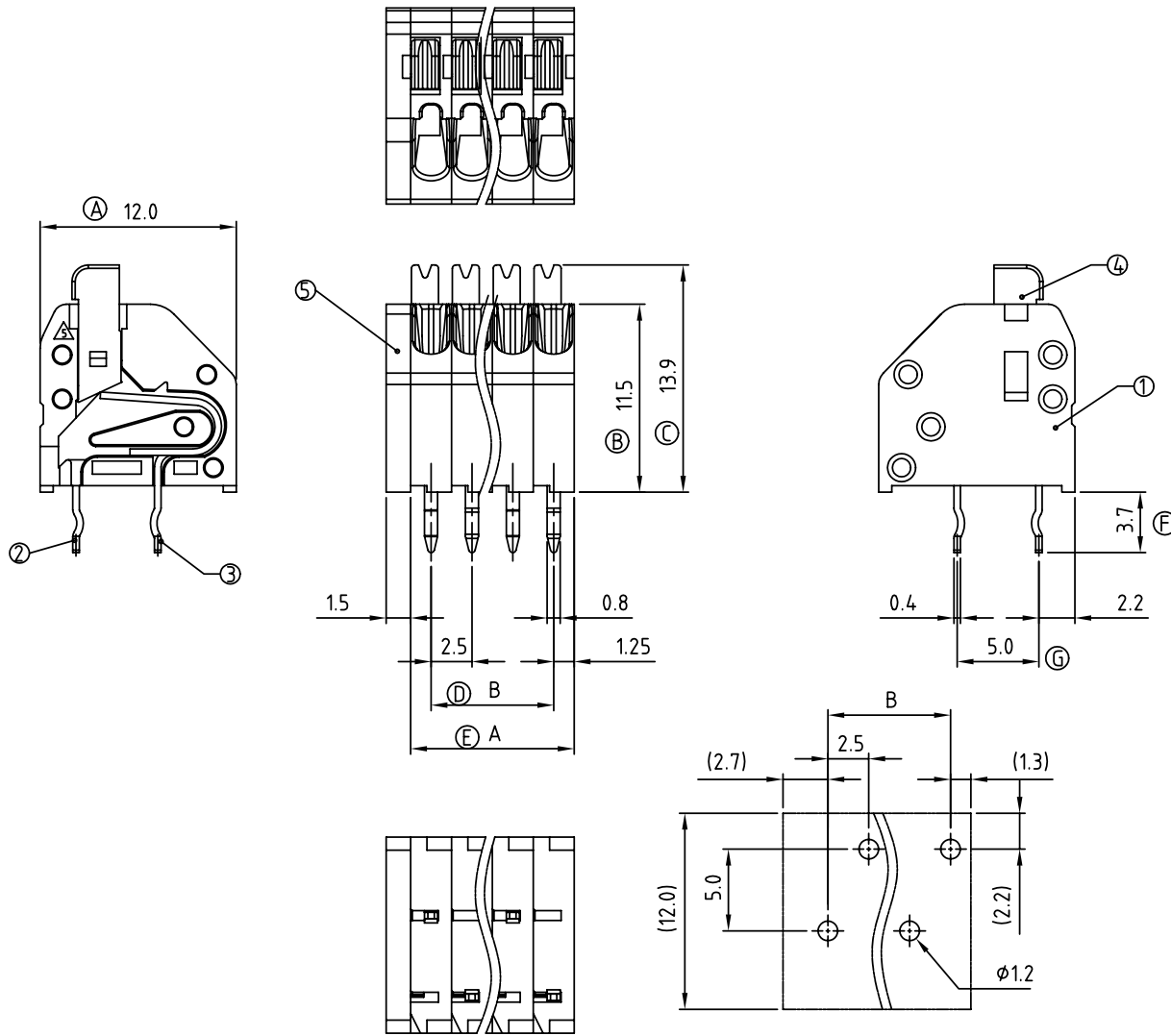


SIGN	DATE	DESCRIPTION	APPROVER
△	9/16'08	Voltage rating changed from 150V to 300V	Tony
△	9/16'08	Add "CQC" Safety Approval Logo	Tony
△	9/16'08	Wire strip length changed from 6-7mm to 8.5-10mm	Tony
△	9/16'08	Operating temperature changed (-40°C to +115°C)	Tony
△	4/24'10	Electrical & Structure & PART NO.changed	Runner
△	12/25'10	How to order is changed	Runner

THIS IS CAD DRAWING, DO NOT REVISE MANUALLY!!!



Material

- Item ① Terminal body: Thermoplastic (UL94V-0)
 - Item ② Side Contact pin : PhBz Tin plated.
 - Item ③ Center contact pin: PhBz.Tin plated.
 - Item ④ Terminal lever : Thermoplastic (UL94V-0)
 - Item ⑤ Terminal cover : Thermoplastic (UL94V-0)
- | | | |
|------------------------------|------------------|-------|
| △ Electrical: | cULus | CQC |
| △ ● Voltage rating: | 300V | 300V |
| ● Current rating: | 2A | 2A |
| ● Wire range: | | |
| ● Solid wire(AWG): | 20-26 | 20 |
| ● Stranded wire(AWG): | 20-26 | 20 |
| △ ● Wire strip length: | 8.5-10.0mm | |
| ● Withstanding Voltage: | 1.6KV | 2.5KV |
| △ ● Operating temperature: | -40°C to +115°C | |
| ● The soldering temperature: | 250°C±5°C/5 Sec. | |
| △ ● Safety Approval: | | |

△ HC xx B 2 x 0 xxxx G △

No. OF POLES
02: 2 POLES
:
24: 24 POLES

COLOR
2: Red
3: Orange
5: Green (RAL 6018/T)
8: Grey (RAL 7004/P)

0000: "@ " Logo (Standard)
000A: "ANYTEK" Mark
Any special item by customer request.
please contact sales department.

POLE	2	3	4	5	6	7	8	9	10	11	12	
A	5.00	7.50	10.00	12.50	15.00	17.50	20.00	22.50	25.00	27.50	30.00	
B	2.50	5.00	7.50	10.00	12.50	15.00	17.50	20.00	22.50	25.00	27.50	
Tol.	±0.20						±0.30					
POLE	13	14	15	16	17	18	19	20	21	22	23	24
A	32.50	35.00	37.50	40.00	42.50	45.00	47.50	50.00	52.50	55.00	57.50	60.00
B	30.00	32.50	35.00	37.50	40.00	42.50	45.00	47.50	50.00	52.50	55.00	57.50
Tol.	±0.40						±0.50					

ANYTEK

CUSTOMER COPY

ALL RIGHTS RESERVED. REPRODUCTION OR ISSUE TO THIRD PARTIES IN ANY FORM WHATSOEVER IS NOT PERMITTED WITHOUT WRITTEN AUTHORITY FROM THE PROPRIETOR. PROPERTY OF ANYTEK TECHNOLOGY CO., LTD

TITLE		HC 2.5mm -High profile Series											
PART NO.		HCxxB2x0xxxxG					DWG NO.		8HC0501				
APPROVED		CHECKED		DESIGNED		DRAWN		CUST NO.		Tolerance			
				Runner		Tony				X. ±0.50			
				2010.12.25		2008.09.16				X.X ±0.30			
										X.XX ±0.10			
										X° ±1°			
								SHEET: 01/01		REV.: E			

X-ON Electronics

Largest Supplier of Electrical and Electronic Components

Click to view similar products for [Fixed Terminal Blocks](#) category:

Click to view products by [Amphenol](#) manufacturer:

Other Similar products are found below :

[MBE-1512](#) [MBE-154](#) [MBE-156](#) [MBES-153](#) [MBES-156](#) [MH-2512](#) [MHE-132](#) [MHE-163](#) [MI-254 \(35\)](#) [MI-272](#) [880507](#) [MPT-275](#)
[15602-04-08-21](#) [BA311TU](#) [BA411SU](#) [MV-152](#) [MV-252-D](#) [MV-253/NCNOC](#) [MV-254-D](#) [MV-255](#) [MV-462](#) [MV-493](#) [MVE-252](#) [MVE-253](#)
[MVE-273](#) [MVEB-153](#) [1700096](#) [1705142](#) [1745195](#) [1760594](#) [1776118-2](#) [1-796689-8](#) [1-796692-6](#) [20020314-C121B01LF](#) [CB2-12](#)
[KP03215000J0G](#) [KP04215000J0G](#) [S451](#) [282802-2](#) [29.007](#) [29.116](#) [30.103](#) [30.106](#) [30.252](#) [30.503](#) [30.608](#) [30.753](#) [30.755](#) [30.756](#) [30.853](#)