



# HC Signal Connector

**Asia Pacific**  
ChangZhou, China  
Tel +86 519-8981 9713  
Add No.11 Fengxiang Road,New District,  
Changzhou,Jiangsu, China  
P.C 213001

GuangZhou, China  
Tel +86 20-3210-6099  
Add 9th Floor, No.10, the 4th Street, Kehui  
Jingu,Huangpu District, Guangzhou ,China  
P.C 510663

**North America**  
Winnipeg,Canada  
Tel +1 204 697 2222  
Add 2110 Notre Dame Avenue

Nogales, Mexico  
Tel +52(55) 5258 9984  
Add 482 Mariposa Road Building A, 85621

Sales Manager(North America): Alexander Rothmeier  
Tel (USA) +(1) 516-655-2787  
Email arothmeier@tpil.com

Sales Manager: Sherlock Wan  
Tel +86 15950460386  
Email sherlock.wan@amphenol-gec.com

Product Manager: George Chen  
Tel +86 13413169243  
Email george.chen2@amphenol-gec.com

Email info@Amphenol-GEC.com



# HC Series Connectors

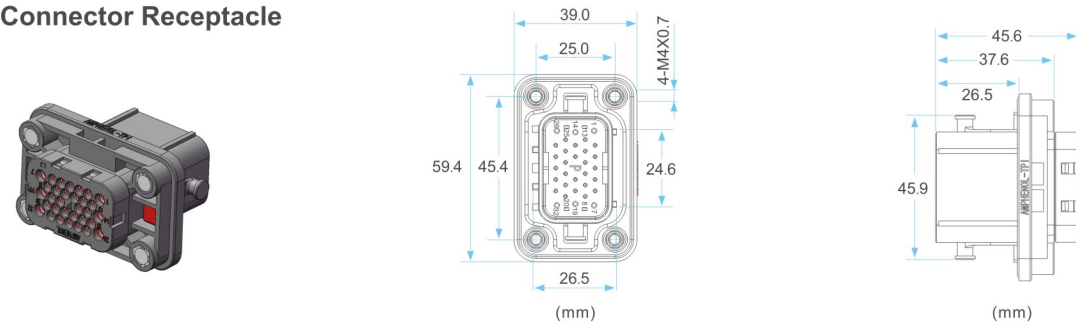
Amphenol HC Signal Series connectors are designed as a high-performance, cost-effective solution for the signal and power transmission for PDU in battery pack. The connector has integrated both signal and power transmission in one body.

Key Features	Technical Data	Typical Applications
<ul style="list-style-type: none"> <li>Colored Body and Enhanced Rib for Blind Mating</li> <li>Up to IP68 Protection(mated)</li> <li>Scalable Pin Count Per Specific Requirement<sup>(1)</sup></li> <li>Available with Key A, B and C Option</li> <li>Available with CPA Option</li> </ul>	<ul style="list-style-type: none"> <li>Pin Count: 32pin</li> <li>Current Rating: Power: 13A MAX Signal: 5A MAX</li> <li>Cable Size: Power: 14~18 AWG Signal: 20~22AWG</li> <li>Dielectric Withstanding Voltage: 3000VDC</li> <li>Operating Temperature: -40°C - +125°C</li> <li>IP Rating: IP6K9K、IP68(mated, subersion in 1M depth water with 48 hours.)</li> <li>Mating Cycle: 100Min</li> <li>Air leakage: 60KPa</li> <li>Fire Classification: UL94-V0</li> </ul>	<ul style="list-style-type: none"> <li>Signal and Power Transmission for PDU</li> </ul>

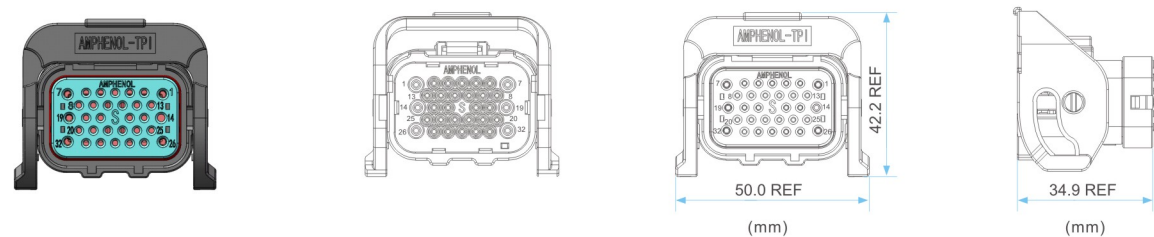
(1) Offer pin plug for unused pin seal

## Dimensions

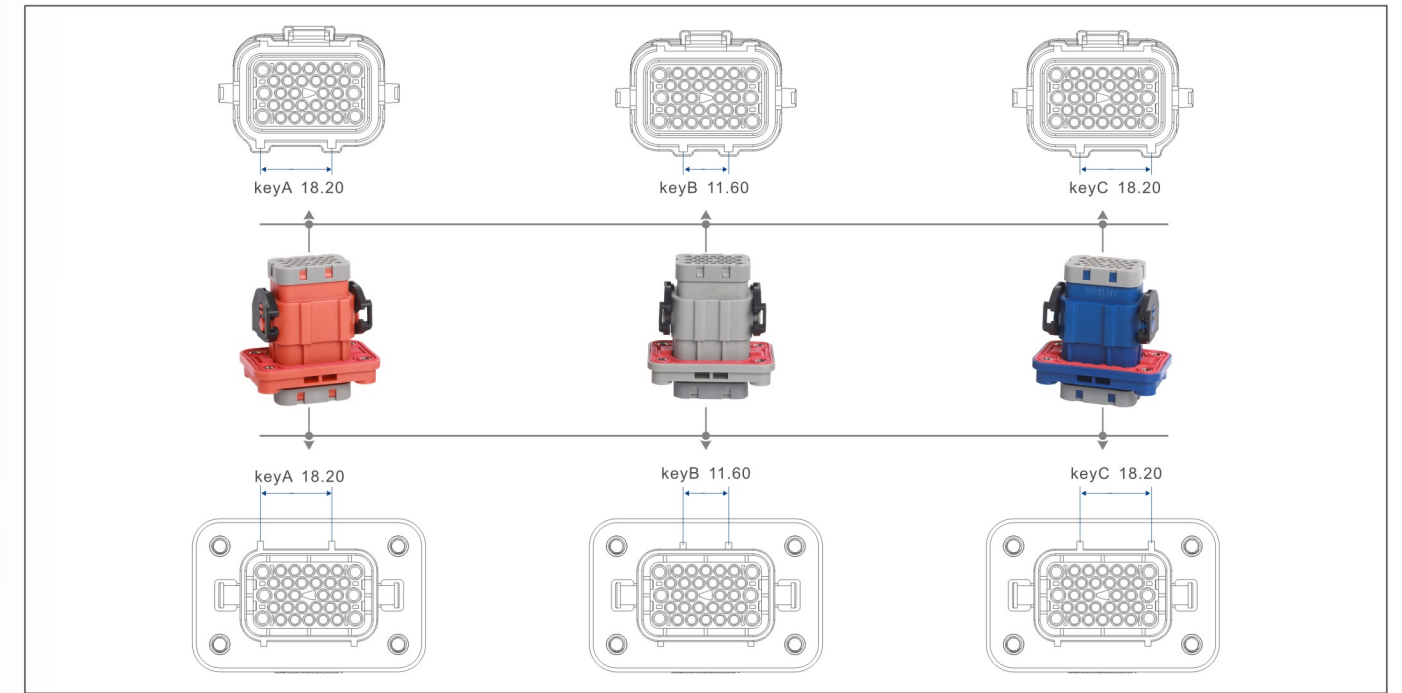
### 32POS Connector Receptacle



### 32POS Connector Plug



## HC Signal Key Map



## Ordering Information

Product Type	Connector Type	Polarization	Series	Installation Type				
HC	HC Signal	08	Receptacle Connector	A B C	P32	32POS	R	Rear mounted

### Terminal & Cable & Seal Plug Options

Receptacle	Terminal Type	Terminal Part Number	Wire gauge	Wire OD range	Seal Type	Seal Part Number
HC08A-P32-R	16#(power)	HCTM215XX	16-18 AWG	2.24-3.00mm	16#(power)	AC-CP000383
HC08B-P32-R	20#(signal)	HCTM121XX	20-22 AWG	1.35-2.50mm	20#(signal)	AC-CP000382
HC08C-P32-R						

Product Type	Connector Type	Polarization	Series	CPA				
HC	HC Signal	18	Plug Connector	A B C	S32	32POS	Blank 2	Without CPA With CPA

### Terminal & Cable & Seal Plug Options

Plug	Terminal Type	Terminal Part Number	Wire gauge	Wire OD range	Seal Type	Seal Part Number	
HC18A-S32	HC18A-S32-2	16#(power)	HCTF215XX	16-18 AWG	2.24-3.00mm	16#(power)	AC-CP000383
HC18B-S32	HC18B-S32-2	20#(signal)	HCTF121XX	20-22 AWG	1.35-2.50mm	20#(signal)	AC-CP000382
HC18C-S32	HC18C-S32-2						

(1)Terminal plating specification:  
XX=01 gold flash plate overall  
XX=04 Tin over nickel

## The information contained in this data sheet is for reference only

Amphenol Technical Products International provides the above product specifications for the standard. Specifications are subject to change without notice. Contact your nearest Amphenol Corporation Sales Office for the latest specifications. All statements, information and data given herein are believed to be accurate and reliable but are presented without representation or warranty that any such use is free of patent infringement and are not recommendations to infringe any patent. Specifications are typical and may not apply to all connectors. Note that these specifications are derived from relevant global standards used in the automotive and industrial transportation markets, but they are not a substitute for system level design validation testing, which is the sole responsibility of the system designer and/or end user.



# HC Series Connectors

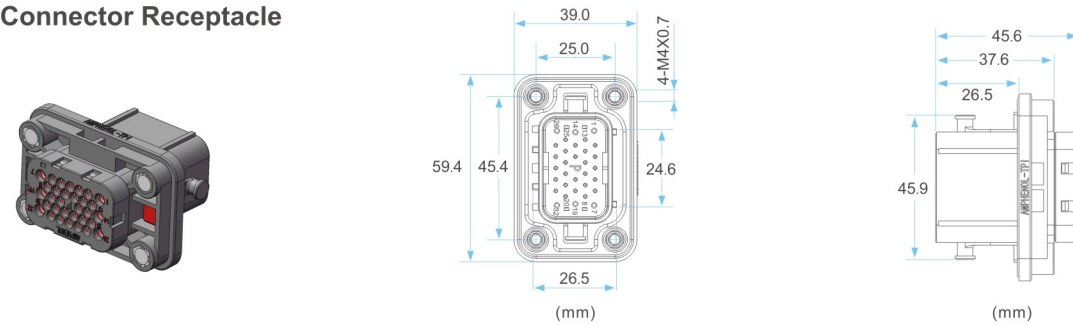
Amphenol HC Signal Series connectors are designed as a high-performance, cost-effective solution for the signal and power transmission for PDU in battery pack. The connector has integrated both signal and power transmission in one body.

Key Features	Technical Data	Typical Applications
<ul style="list-style-type: none"> <li>Colored Body and Enhanced Rib for Blind Mating</li> <li>Up to IP68 Protection(mated)</li> <li>Scalable Pin Count Per Specific Requirement<sup>(1)</sup></li> <li>Available with Key A, B and C Option</li> <li>Available with CPA Option</li> </ul>	<ul style="list-style-type: none"> <li>Pin Count: 32pin</li> <li>Current Rating: Power: 13A MAX Signal: 5A MAX</li> <li>Cable Size: Power: 14~18 AWG Signal: 20~22AWG</li> <li>Dielectric Withstanding Voltage: 3000VDC</li> <li>Operating Temperature: -40°C - +125°C</li> <li>IP Rating: IP6K9K、IP68(mated, subersion in 1M depth water with 48 hours.)</li> <li>Mating Cycle: 100Min</li> <li>Air leakage: 60KPa</li> <li>Fire Classification: UL94-V0</li> </ul>	<ul style="list-style-type: none"> <li>Signal and Power Transmission for PDU</li> </ul>

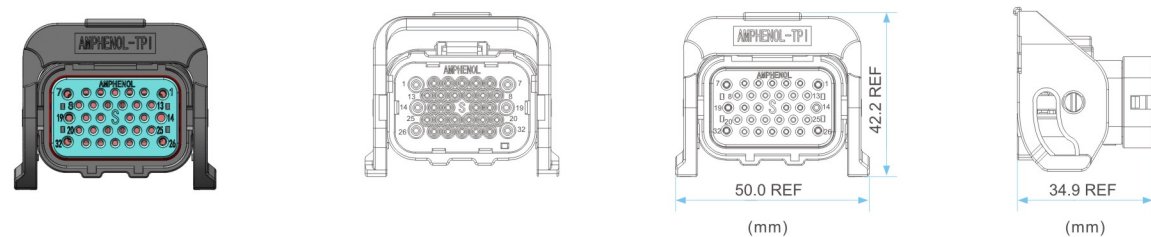
(1) Offer pin plug for unused pin seal

## Dimensions

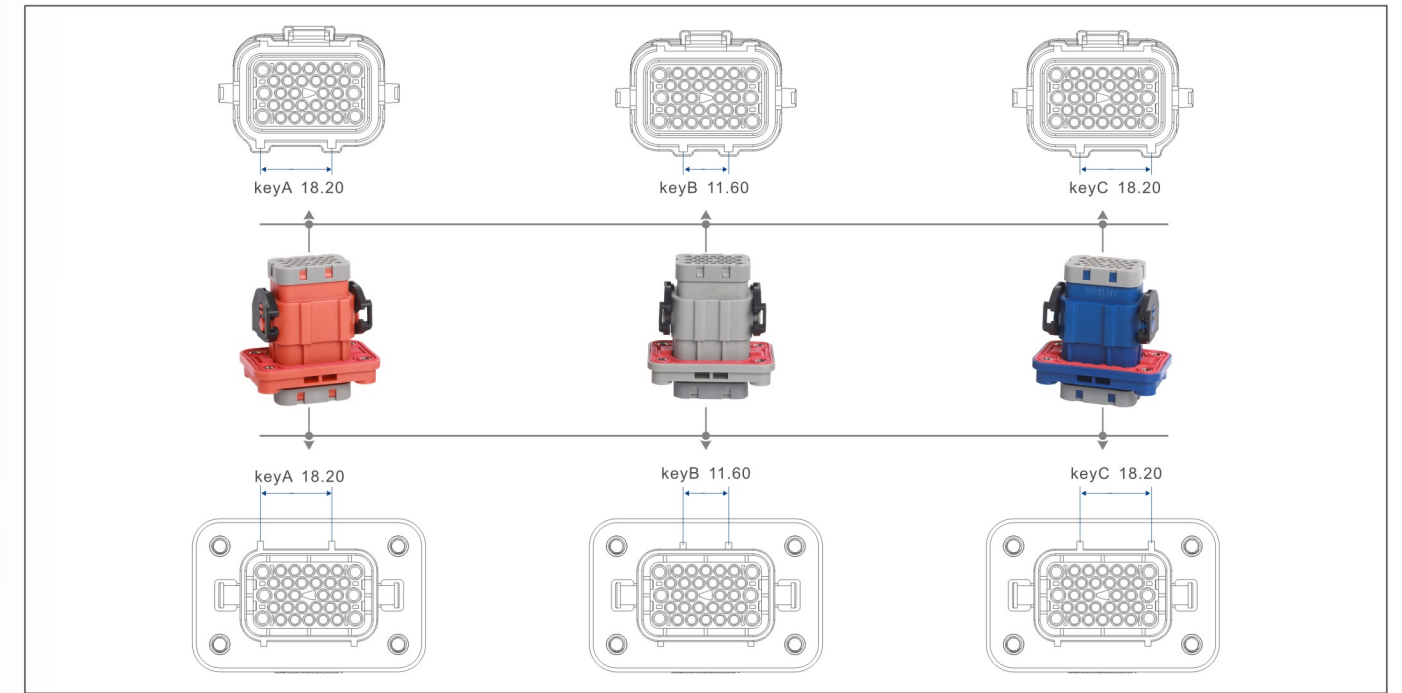
### 32POS Connector Receptacle



### 32POS Connector Plug



## HC Signal Key Map



## Ordering Information

Product Type	Connector Type	Polarization	Series	Installation Type				
HC	HC Signal	08	Receptacle Connector	A B C	P32	32POS	R	Rear mounted

### Terminal & Cable & Seal Plug Options

Receptacle	Terminal Type	Terminal Part Number	Wire gauge	Wire OD range	Seal Type	Seal Part Number
HC08A-P32-R	16#(power)	HCTM215XX	16-18 AWG	2.24-3.00mm	16#(power)	AC-CP000383
HC08B-P32-R	20#(signal)	HCTM121XX	20-22 AWG	1.35-2.50mm	20#(signal)	AC-CP000382
HC08C-P32-R						

Product Type	Connector Type	Polarization	Series	CPA				
HC	HC Signal	18	Plug Connector	A B C	S32	32POS	Blank 2	Without CPA With CPA

### Terminal & Cable & Seal Plug Options

Plug	Terminal Type	Terminal Part Number	Wire gauge	Wire OD range	Seal Type	Seal Part Number	
HC18A-S32	HC18A-S32-2	16#(power)	HCTF215XX	16-18 AWG	2.24-3.00mm	16#(power)	AC-CP000383
HC18B-S32	HC18B-S32-2	20#(signal)	HCTF121XX	20-22 AWG	1.35-2.50mm	20#(signal)	AC-CP000382
HC18C-S32	HC18C-S32-2						

(1)Terminal plating specification:  
XX=01 gold flash plate overall  
XX=04 Tin over nickel

## The information contained in this data sheet is for reference only

Amphenol Technical Products International provides the above product specifications for the standard. Specifications are subject to change without notice. Contact your nearest Amphenol Corporation Sales Office for the latest specifications. All statements, information and data given herein are believed to be accurate and reliable but are presented without representation or warranty that any such use is free of patent infringement and are not recommendations to infringe any patent. Specifications are typical and may not apply to all connectors. Note that these specifications are derived from relevant global standards used in the automotive and industrial transportation markets, but they are not a substitute for system level design validation testing, which is the sole responsibility of the system designer and/or end user.





# HC Signal Connector

**Asia Pacific**  
ChangZhou, China  
Tel +86 519-8981 9713  
Add No.11 Fengxiang Road,New District,  
Changzhou,Jiangsu, China  
P.C 213001

GuangZhou, China  
Tel +86 20-3210-6099  
Add 9th Floor, No.10, the 4th Street, Kehui  
Jingu,Huangpu District, Guangzhou ,China  
P.C 510663

**North America**  
Winnipeg,Canada  
Tel +1 204 697 2222  
Add 2110 Notre Dame Avenue

Nogales, Mexico  
Tel +52(55) 5258 9984  
Add 482 Mariposa Road Building A, 85621

Sales Manager(North America): Alexander Rothmeier  
Tel (USA) +(1) 516-655-2787  
Email arothmeier@tpil.com

Sales Manager: Sherlock Wan  
Tel +86 15950460386  
Email sherlock.wan@amphenol-gec.com

Product Manager: George Chen  
Tel +86 13413169243  
Email george.chen2@amphenol-gec.com

Email info@Amphenol-GEC.com

## X-ON Electronics

Largest Supplier of Electrical and Electronic Components

*Click to view similar products for [Heavy Duty Power Connectors](#) category:*

*Click to view products by [Amphenol](#) manufacturer:*

Other Similar products are found below :

[6646058-2](#) [6646137-1](#) [6646138-1](#) [6646940-1](#) [6651091-1](#) [6651525-1](#) [6651529-1](#) [696475-1](#) [702-32-01109](#) [73080255059](#) [73080965046](#)  
[7310205040001](#) [765-16-0080B](#) [765-18-0080D](#) [902-77-02113](#) [PS00/A0620/6300](#) [AN0024023](#) [154-42B7WM250](#) [MS3117-14AC](#) [1643543-1](#)  
[1766966-1](#) [1791340000](#) [NLDFT-3-BL-L-S120-M40A](#) [NLDFT-N-W-L-C240-M40B](#) [1926015-1](#) [NLS-3-BL-C240-M40B](#) [NLS-N-W-C240-](#)  
[M40B](#) [NPS-3-BL-T6](#) [2-1589900-8](#) [9300480317](#) [294-0091-01100](#) [296-0040-01100](#) [1-6609148-0](#) [A32595-0049](#) [1766249-1](#) [19000005132](#)  
[1926016-1](#) [1-966831-8](#) [AN0024202](#) [AN0264023](#) [279-0841-10100A](#) [281-0334-00100A](#) [RMSB4](#) [419-2083-301](#) [LCDX4/0-14B-X](#) [075-8519-](#)  
[001](#) [078238-1613](#) [07.470.3256.0](#) [09000005288](#) [09140240311](#)