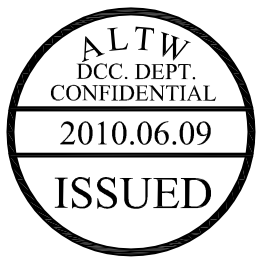
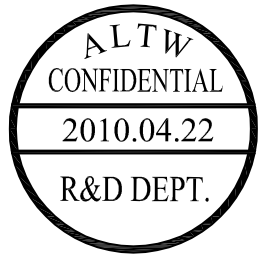
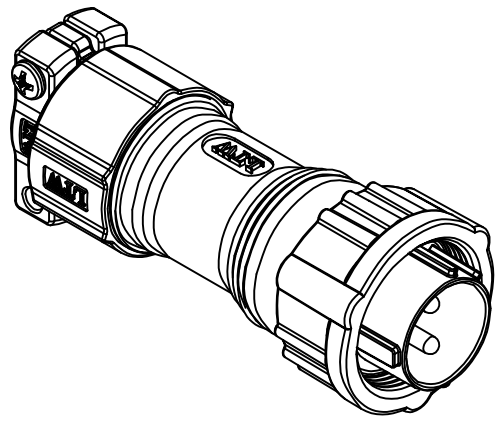
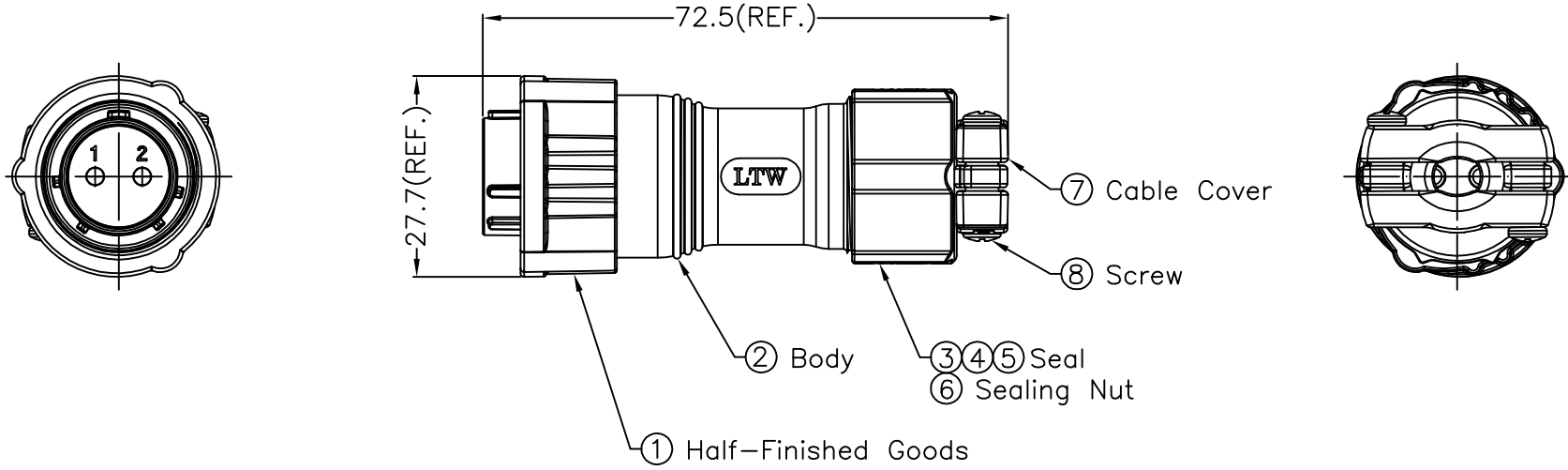


5	6	7	8
REV. A	ECN NO. Initial Release	DATE 2010/04/22	SIGN Jessie
			DESCRIPTION Form Rev.02 To A

THIS DOCUMENT IS SUBJECT TO CHANGE WITHOUT NOTICE. IT IS CONFIDENTIAL AND A PROPERTY OF Amphenol LTW. DISCLOSURE TO THIRD PARTY HAS TO BE AUTHORIZED BY Amphenol LTW.



Note:

- * @@Important Dimension
- * Waterproof Rate: IP68
IP68: 1M depth of water in 24 Hrs.
(防水等級：IP68)
IP68：水深一米測試 24 小時
- * Cable OD: $\phi 5.5\text{mm} \sim \phi 12.5\text{mm}$
- * Gasket: Silicone ,Gray
- * Shell: Zinc Alloy ,Electrodeposition Coating,Black.
- * Male Pin: Copper Alloy ,Gold Plated
- * Insulation: Nylon ,Black
- ⑨ * One Set Assembled in one PE Bag.

UNIT:mm	
TOLERANCE	
.X	± 0.25
.XX	± 0.1
.XXX	± 0.05
ANGLES	$\pm 1^\circ$

TITLE	
Circular II Series 2 Pin Assy	
SCALE	SHEET
Free	1 OF 1
REV. A	SIZE A4
QC :Inspection Item	

Amphenol LTW
安費諾亮泰企業股份有限公司

ITEM NO	HC20-02BFMA-SL8001
DWG NO	HC20-02BFMA-SL8001
CUSTOMER	ALTW

DRAWN BY	Jessie
CHECKED BY	Jimmy
APPROVED BY	Win

DATE	2010/04/22
DATE	2010/05/12
DATE	2010/05/12

X-ON Electronics

Largest Supplier of Electrical and Electronic Components

Click to view similar products for [Circular Metric Connectors](#) category:

Click to view products by [Amphenol](#) manufacturer:

Other Similar products are found below :

[600X518037X](#) [6STD15PCR99B70A](#) [8R4000A16M020](#) [8R5000A16M005](#) [1200910002](#) [1203580030](#) [1200910008](#) [1200910011](#) [1300140094](#)
[130203-0054](#) [1300140026](#) [1300150099](#) [1-3637-600-5205](#) [1612618](#) [21036836414](#) [8R4006A16M010](#) [1R3006A20M005](#) [41-40011](#) [42-00006](#)
[42-01015](#) [4-22279-4](#) [4-22281-1](#) [4-22284-9](#) [43-00113](#) [43-01203](#) [41-40013](#) [42-00008](#) [43-00343](#) [43-01026](#) [43-01162](#) [43-01173](#) [43-10000](#)
[XS3P-M421-2](#) [600X518050X](#) [8R5006A16M020](#) [8R5006A16M005](#) [8R4000A16M010](#) [6-22279-3](#) [1605332](#) [N03FA03144](#) [1300140077](#) [43-](#)
[16213](#) [43-01338](#) [XS2RD4265](#) [XS2R-D426-1](#) [XS8A-0441](#) [859RD04-103R004](#) [860RD04-113R004](#) [860RD04-213R004](#) [1-213245-2](#)