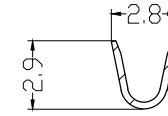
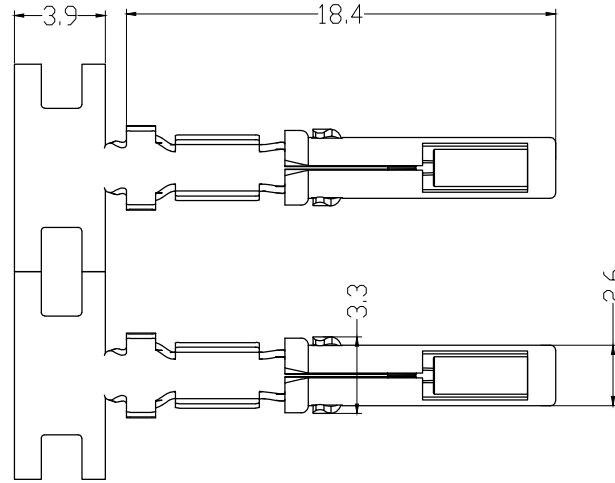


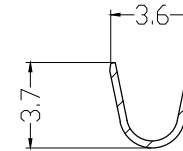
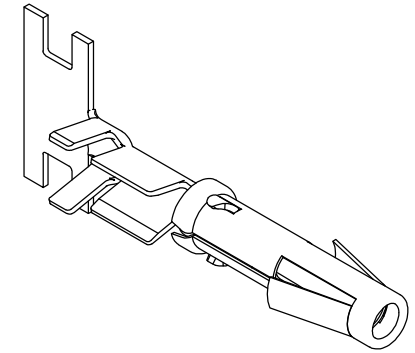
THIS DRAWING IS SUPPLIED FOR INFORMATION ONLY. DESIGN FEATURES, SPECIFICATIONS AND PERFORMANCE DATA SHOWN HEREON ARE THE PROPERTY OF THE AMPHENOL CORPORATION. NO RIGHTS OF REPRODUCTION ARE IMPLIED. ALL DIMENSIONS ARE SUBJECT TO NORMAL MANUFACTURING VARIATIONS.

Customer Drawing

REVISIONS						
REV	ZONE	ECO	DESCRIPTION	DATE	BY	APPR
A	--	--	INITIAL RELEASE	12/01/14	RW	EC
B	--	--	料号从HCTF16XX改为HCTF216XX	01/29/15	RW	EC



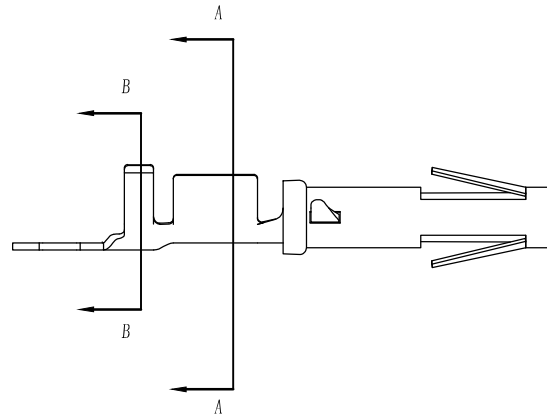
SECTION
A-A



SECTION
B-B

注(NOTES):

1. 对配公端直径 Suitable pin diameter: 1.6mm
2. 额定电流 Current rating: 13A
3. 端子类型 Terminatin type: Crimp
4. 压线规格: AWG16~18
5. 电镀信息 Plating specification: See below
 - 5.1. 当 XX=01 镍底, 整个端子飘金.
When XX=01 Gold flash plate overall.
 - 5.2. 当 XX=02 镍底, 接触位置镀金10u"
When XX=02 Contact plating 10u"
 - 5.3. 当 XX=03 镍底, 接触位置镀金30u"
When XX=03 Contact plating 30u"
 - 5.4. 当 XX=04 镍底镀锡
When XX=04 Tin over nickel
6. 材料规格 Material specification:
 - 6.1. 端子: 铜合金
Contact body: Copper alloy
 - 6.2. 外套: 不锈钢
Oter spring: Stainless steel
7. 符合ROHS
ROHS compliance



		Amphenol Technical Products International GZ				PART NAME: HC Contact 16/Socket 16~18AWG		
		第三角投影 THIRD ANGLE PROJECTION	页面 SHEET	幅面 SIZE	版次 REV.	比例 SCALE	DWG NO: HCTF216XX	
签名 SIGNATURE		日期 DATE		UNLESS OTHERWISE SPECIFIED			CUST PART #: N/A	
制图 DRAWN	WC	12/01/14		1) All dimensions are in metric(mm). 2) Tolerances are as follows:			CUST REV. -	
审核 CHECKED	GX	12/01/14		0 PL DEC ±1.00 1 PL DEC ±0.50 2 PL DEC ±0.20				
批准 APPROVAL	EC	12/01/14		Angles ±1°				

X-ON Electronics

Largest Supplier of Electrical and Electronic Components

Click to view similar products for [Terminals](#) category:

Click to view products by [Amphenol](#) manufacturer:

Other Similar products are found below :

[00-054007-01074-6](#) [00-054007-70206-1](#) [00-054007-70210-8](#) [00-054007-70217-7](#) [00-054007-70228-3](#) [00-054007-70256-6](#) [00-054007-70316-7](#) [00-054007-49560-4](#) [00-054007-70209-2](#) [00-054007-70231-3](#) [00-054007-70241-2](#) [00-054007-70242-9](#) [00-054007-70246-7](#) [00-054007-70263-4](#) [00-054007-70288-7](#) [00-054007-70290-0](#) [00-054007-70300-6](#) [00-054007-70304-4](#) [01-2900-1-04412](#) [00581P0075](#) [600TS-10](#) [604200-1](#) [605601-1](#) [60598-1-CUT-TAPE](#) [60617-1-C](#) [61314-6-C](#) [61810-3](#) [62149-1](#) [626-0194](#) [62-NBM-A](#) [62-SP](#) [63-S](#) [M55155/059I03](#)
[M55155/079C01](#) [M55155/099B03](#) [M55155/099H02](#) [M55155/109H01](#) [M55155/12XH05](#) [M55155/16XH02](#) [M55155/29-5S](#) [M55155/29XJ08](#)
[M55155/30-6S](#) [M55155/30-9S](#) [M55155/30XI09](#) [696683-1](#) [696861-1](#) [696999-1](#) [M86700006](#) [D18-110B-C](#) [D18-110B-M](#)