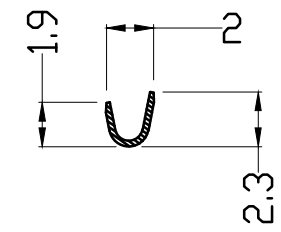
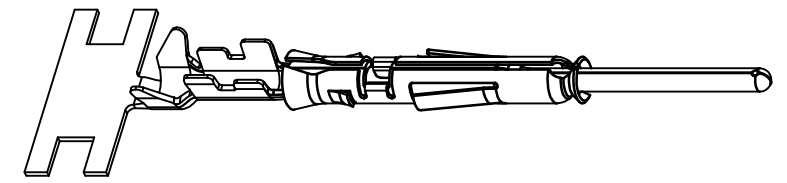
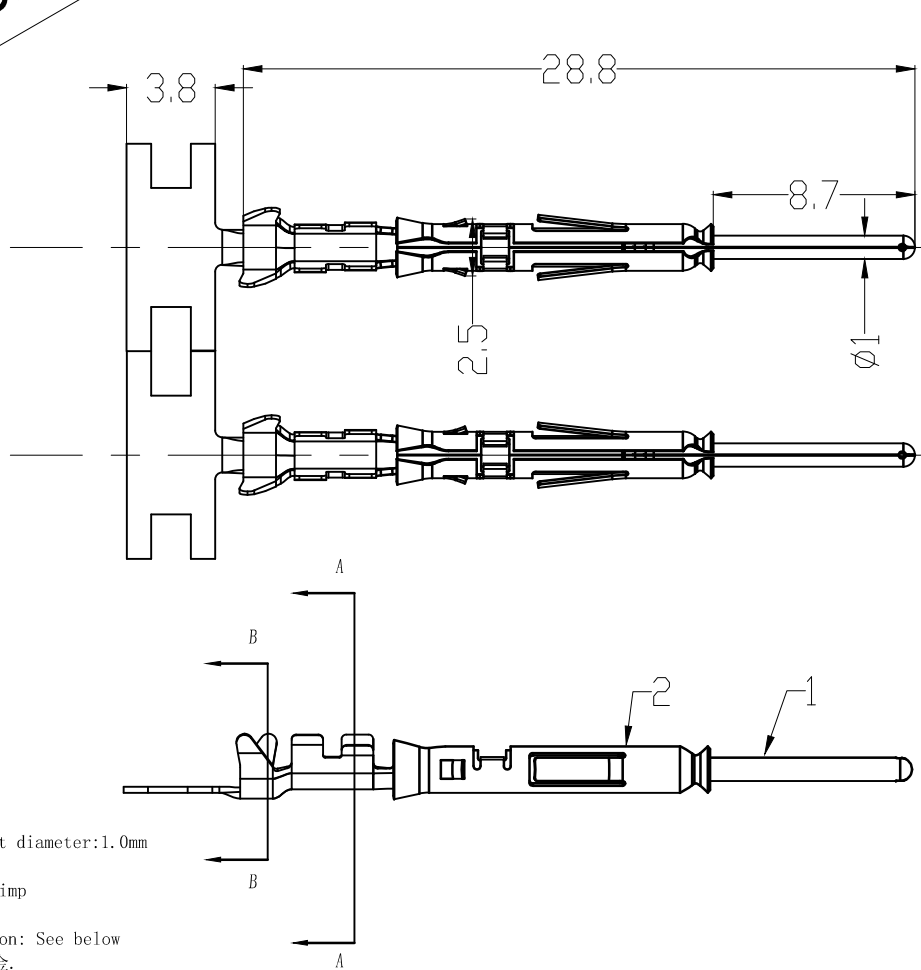


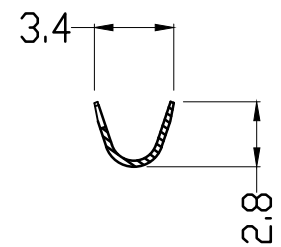
THIS DRAWING IS SUPPLIED FOR INFORMATION ONLY. DESIGN FEATURES, SPECIFICATIONS AND PERFORMANCE DATA SHOWN HEREON ARE THE PROPERTY OF THE AMPHENOL CORPORATION. NO RIGHTS OF REPRODUCTION ARE IMPLIED. ALL DIMENSIONS ARE SUBJECT TO NORMAL MANUFACTURING VARIATIONS.

REVISIONS						
REV	ZONE	ECO	DESCRIPTION	DATE	BY	APPR
A	--	--	INITIAL RELEASE	12/01/14	RW	EC
B	--	--	料号更改从HCTM20XX改为HCTM120XX	01/28/15	RW	EC

Customer Drawing



SECTION A-A



SECTION B-B

注 (NOTES):

1. 对配母端直径 Suitable Socket diameter:1.0mm
2. 额定电流 Current rating: 5A
3. 端子类型 Terminatin type: Crimp
4. 压线规格: AWG20~22
5. 电镀信息 Plating specification: See below
 - 5.1. 当 XX=01 镍底, 整个端子飘金.
When XX=01 Gold flash plate overall.
 - 5.2. 当 XX=02 镍底, 接触位置镀金10u"
When XX=02 Contact plating 10u"
 - 5.3. 当 XX=03 镍底, 接触位置镀金30u"
When XX=03 Contact plating 30u"
 - 5.4. 当 XX=04 镍底镀锡
When XX=04 Tin over nickel
6. 材料规格 Material specification:
 - 6.1. 端子: 铜合金
Contact body: Copper alloy
 - 6.2. 外套: 不锈钢
Outer spring: Stainless steel
7. 符合ROHS
ROHS compliance

	Amphenol Technical Products International GZ					PART NAME:		
	第三角投影 THIRD ANGLE PROJECTION	页 面 SHEET	幅 面 SIZE	版 次 REV.	比 例 SCALE	HC Contact 20#Pin 20~22AWG		
	1 of 1	A3	B			DWG NO: HCTM120XX		
签名 SIGNATURE		日期 DATE		UNLESS OTHERWISE SPECIFIED 1) All dimensions are in metric(mm). 2) Tolerances are as follows: 0 PL DEC ±1.00 1 PL DEC ±0.50 2 PL DEC ±0.20			CUST PART #: N/A	
制图 DRAWN	RW	12/01/14						
审核 CHECKED	GX	12/01/14						
批准 APPROVAL	EC	12/01/14		Angles ±1°			CUST REV: -	

X-ON Electronics

Largest Supplier of Electrical and Electronic Components

Click to view similar products for [Terminals](#) category:

Click to view products by [Amphenol](#) manufacturer:

Other Similar products are found below :

[00-054007-01074-6](#) [00-054007-70206-1](#) [00-054007-70210-8](#) [00-054007-70217-7](#) [00-054007-70228-3](#) [00-054007-70256-6](#) [00-054007-70316-7](#) [00-054007-49560-4](#) [00-054007-70209-2](#) [00-054007-70231-3](#) [00-054007-70241-2](#) [00-054007-70242-9](#) [00-054007-70246-7](#) [00-054007-70263-4](#) [00-054007-70288-7](#) [00-054007-70290-0](#) [00-054007-70300-6](#) [00-054007-70304-4](#) [01-2900-1-04412](#) [00581P0075](#) [600TS-10](#) [604200-1](#) [605601-1](#) [60598-1-CUT-TAPE](#) [60617-1-C](#) [61314-6-C](#) [61810-3](#) [62149-1](#) [626-0194](#) [62-NBM-A](#) [62-SP](#) [63-S](#) [M55155/059I03](#)
[M55155/079C01](#) [M55155/099B03](#) [M55155/099H02](#) [M55155/109H01](#) [M55155/12XH05](#) [M55155/16XH02](#) [M55155/29-5S](#) [M55155/29XJ08](#)
[M55155/30-6S](#) [M55155/30-9S](#) [M55155/30XI09](#) [696683-1](#) [696861-1](#) [696999-1](#) [M86700006](#) [D18-110B-C](#) [D18-110B-M](#)