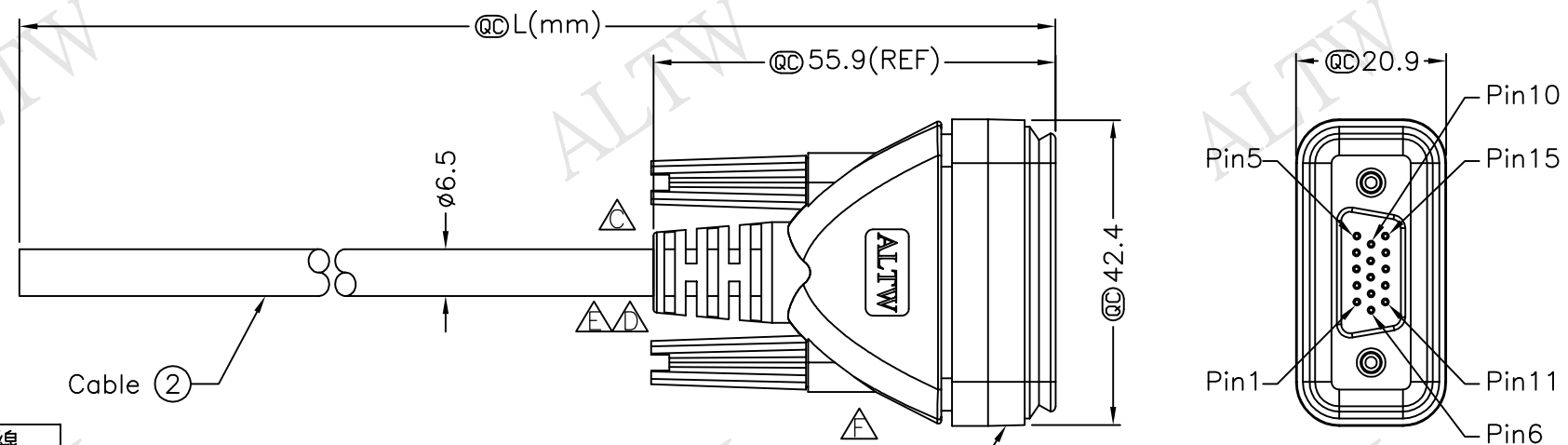
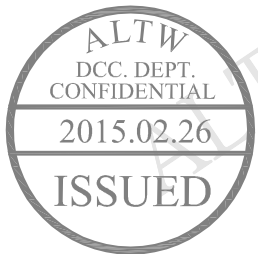


REV.	ECN NO.	DATE	SIGN	DESCRIPTION
D	LEN-930190~4	2008/10/28	Li Xiu Zhi	Change SR
E	LEN1340088~92	2013/04/02	Tony_leng	Change SR
F	LEN1520261~69	2015/02/10	Ruru	Change Logo



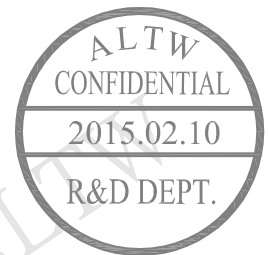
Cable ②

HDB-15AMMM-SL7000 ①
Color: Black



Shield	Drain	地線
15	Red/White	紅/白
14	Brown/White	棕/白
13	Black/White	黑/白
12	Light Green	淺綠
11	Purple	紫
10	Orange	橘
9	Black	黑
8	Red	紅
7	Pink	粉紅
6	Gray	灰
5	Yellow	黃
4	Green	綠
3	White	白
2	Blue	藍
1	Brown	棕
Pin	Wire Color	
Pin Out		

HDB-15AMMM-SL7AXX
 XX:01~99Meters
 01:01Meter
 02:02Meters
 :
 :
 99:99Meters
 Cable length(L):01~99Meters



- Note:
- * @C Important Dimension
 - * Waterproof Rate: IP67
 - * Connector: HD-Sub 15 Pin, Male
 - * Cable: UL2464 26AWG*15C+Drain+AL/My ,PVC Jacket(UV Resistant), OD=6.5mm, Black
 - * Cable Length Tolerance: 01M: ±40mm
 02M~05M: ±60mm
 06M~10M: ±100mm
 11M~30M: ±200mm
 31M~99M: ±500mm

UNIT:mm		TITLE HD-SUB Conn	ITEM NO	DRAWN BY Ruru	DATE 2015/02/10
TOLERANCE ±0.5 mm		Cable Screw HD15P M Conn M Pin	DWG NO HDB-15AMMM-SL7AXX	CHECKED BY Rita	DATE 2015/02/10
	SCALE Free	SHEET 1 OF 1	CUSTOMER ALTW	APPROVED BY Lion	DATE 2015/02/10
	REV. F	SIZE A4	@C :Inspection Item		

Amphenol LTW
安費諾亮泰企業股份有限公司

THIS DOCUMENT IS SUBJECT TO CHANGE WITHOUT NOTICE. IT IS CONFIDENTIAL AND A PROPERTY OF Amphenol LTW. DISCLOSE TO THIRD PARTY HAS TO BE AUTHORIZED BY Amphenol LTW.

X-ON Electronics

Largest Supplier of Electrical and Electronic Components

Click to view similar products for [D-Sub High Density Connectors](#) category:

Click to view products by [Amphenol](#) manufacturer:

Other Similar products are found below :

[97-3250-11](#) [163A16809X](#) [163A17089X](#) [164A17199X](#) [K86X-AD-26S](#) [242A25680X](#) [L717HDB44POL2R210](#) [L717HDEH15POL2](#)
[L777HDE15P](#) [L77HDE15SC309](#) [163A16759X](#) [163A16839X](#) [163A16989X](#) [163A17079X](#) [164A17329X](#) [164A18219X](#) [241A16440X](#)
[241A16550X](#) [241A16680X](#) [241A20810X](#) [241A25740X](#) [CT25-44P](#) [MDBE15PE766](#) [L177HDE15SOL2RM23](#) [L177HRC62S](#)
[L177HRC62SVFM](#) [L177HRCG62S](#) [L717HDEG15POL2RM5](#) [L77HDA26SVF](#) [L77HDE15SD1CO](#) [L77HDEH15SOL2RM832](#) [DAMA-15S-](#)
[WS](#) [443895-3](#) [106698-1](#) [280-012K2C](#) [L177HRB44S](#) [164A17039X](#) [09562004701510](#) [241A17960X](#) [164A18269X](#) [280-019S1S9MEN](#)
[L777HDEG15P](#) [280-018P3S25MEGN](#) [206504-2](#) [2057140-1](#) [C115370-6002](#) [DFMA104SNMBFR172FR022](#) [HDC9F200E2S](#)
[L717HDAG26POL2RM8](#) [241A28180X](#)