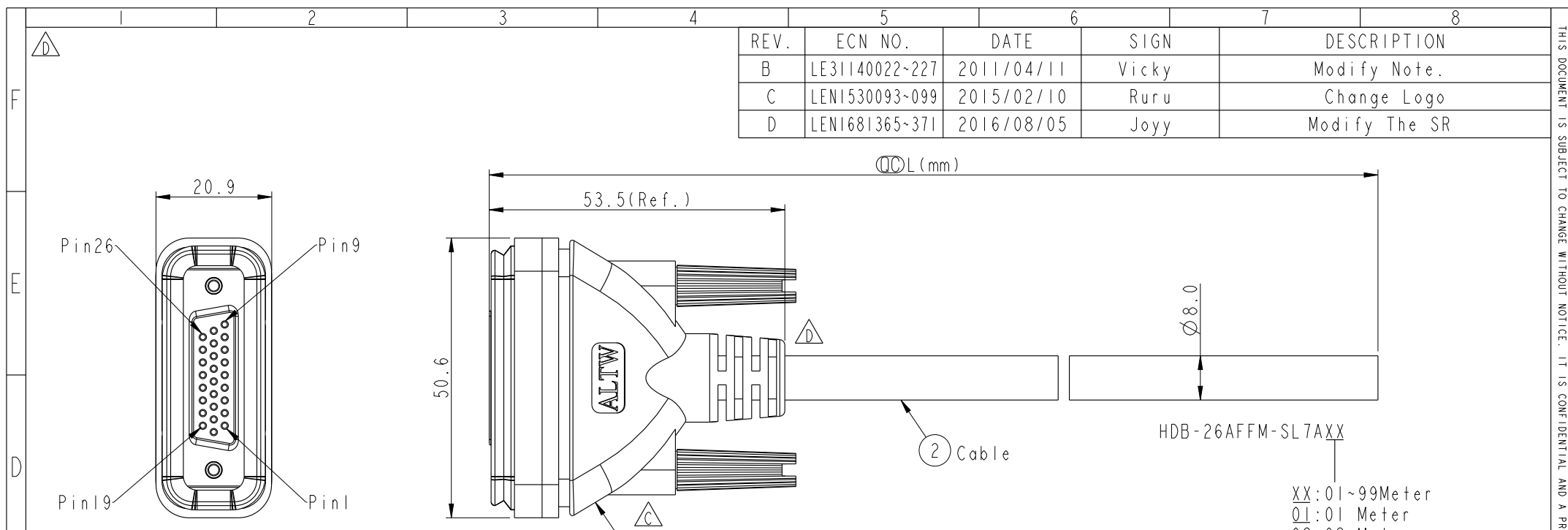


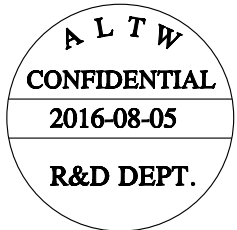
THIS DOCUMENT IS SUBJECT TO CHANGE WITHOUT NOTICE. IT IS CONFIDENTIAL AND A PROPERTY OF Amphenol LTW. DISCLOSURE TO THIRD PARTY HAS TO BE AUTHORIZED BY Amphenol LTW.

REV.	ECN NO.	DATE	SIGN	DESCRIPTION
B	LE31140022~227	2011/04/11	Vicky	Modify Note.
C	LEN1530093-099	2015/02/10	Ruru	Change Logo
D	LEN1681365~371	2016/08/05	Joy	Modify The SR



Shell	Drain	地線	Pin	Wire Color	Conn.	Wire Color
13	Black/White	黑/白	26	Gray/Black	灰/黑	
12	Light Green	淺綠	25	Green/Black	綠/黑	
11	Purple	紫	24	Yellow/Black	黃/黑	
10	Orange	橘	23	Pink/Red	粉紅/紅	
9	Black	黑	22	Pink/Black	粉紅/黑	
8	Red	紅	21	Orange/Black	橘/黑	
7	Pink	粉紅	20	Red/Black	紅/黑	
6	Gray	灰	19	Purple/White	紫/白	
5	Yellow	黃	18	Blue/White	藍/白	
4	Green	綠	17	Green/White	綠/白	
3	White	白	16	Orange/White	橘/白	
2	Blue	藍	15	Red/White	紅/白	
1	Brown	棕	14	Brown/White	棕/白	
Conn.	Wire Color		Conn.	Wire Color		

① HDB-26AFFM-SL7000 [△]
Color: Black



- [△]Note:
- * [⊘] Important Dimension.
 - * Waterproof Rate: IP67
 - * Housing: ABS, Black
 - * Female Pin: Copper Alloy, Gold Plated.
 - * Gasket: EPDM, Black
 - * Screw: Steel, Nickel Plated.
 - * Cable: UL2464 26AWG*26C+Drain+Al/My, PVC Jacket (UV Resistant), OD=8.0mm, Black.
 - * Cable Length Tolerance: 01M: ±40mm
02M~05M: ±60mm
06M~10M: ±100mm
11M~30~: ±200mm
31M~99M: ±500mm

HDB-26AFFM-SL7AXX
XX: 01~99Meter
01: 01 Meter
02: 02 Meter
...
99: 99Meters
Cable Length(L): 01~99Meters

UNIT:mm TOLERANCE .X ±0.25 .XX ±0.1 .XXX ±0.05 ANGLES ±1°	TITLE High Density D-SUB Cable Screw 26P F Conn F Pin		Amphenol LTW 安費諾亮泰企業股份有限公司		ITEM NO	DRAWN BY	DATE		
	SCALE	SIZE			SHEET	OF	DWG NO	CHECKED BY	DATE
	REV.	WC-REV.			⊘: Inspection item		CUSTOMER	APPROVED BY	DATE
		1:2	A4	1	OF 1	ALTW	Jerry	2016-08-05	
		D	A.2			Joy	Ma Fei	2016-08-05	
							Jerry	2016-08-05	

X-ON Electronics

Largest Supplier of Electrical and Electronic Components

Click to view similar products for [D-Sub Cables](#) category:

Click to view products by [Amphenol](#) manufacturer:

Other Similar products are found below :

[1200980218](#) [1200980067](#) [RB09P09P-006](#) [RB09P09P-012](#) [RB15P15P-006](#) [RB25P25P-006](#) [RB25P25P-012](#) [RB37P37P-024](#) [172-0906](#)
[SHD15P15S-012](#) [SHD15P15S-036](#) [SHD15P15S-060](#) [ACL-10137-2MM](#) [RB09P09P-024](#) [319285-3](#) [RS422-OM2](#) [SHD26P26S-060](#)
[SHD44P44S-036](#) [73-6210MM-6](#) [C200H-CN320-EU](#) [49725A 060S2](#) [73231-1321](#) [SDB-50AFFM-SL7A02](#) [49760A 060S2](#) [CS-](#)
[DSDMDB09MM-050](#) [HDB-26AFFM-SL7A02](#) [30-9503P](#) [30-9522P](#) [73-6220MM-6](#) [1200980058](#) [1200980066](#) [1200980078](#) [1200980052](#)
[1200980093](#) [1200980028](#) [1200980021](#) [1200980127](#) [SDB-09AFFM-SL7A02](#) [SDB-15AMMM-SL7A01](#) [BB-LDVYCBL](#) [83421-9286](#)
[MLDM2L-21P-6K7-18B](#) [KSFD1](#) [MM-2J2-021-SS1-41WN](#) [HDB-78AMMM-SL7A05](#) [SDB-37AMMM-SL7A03](#) [SDB-15AFFM-SL7A05](#)
[ACC-500-163-R](#) [172-1910](#) [2900907/21.4](#)