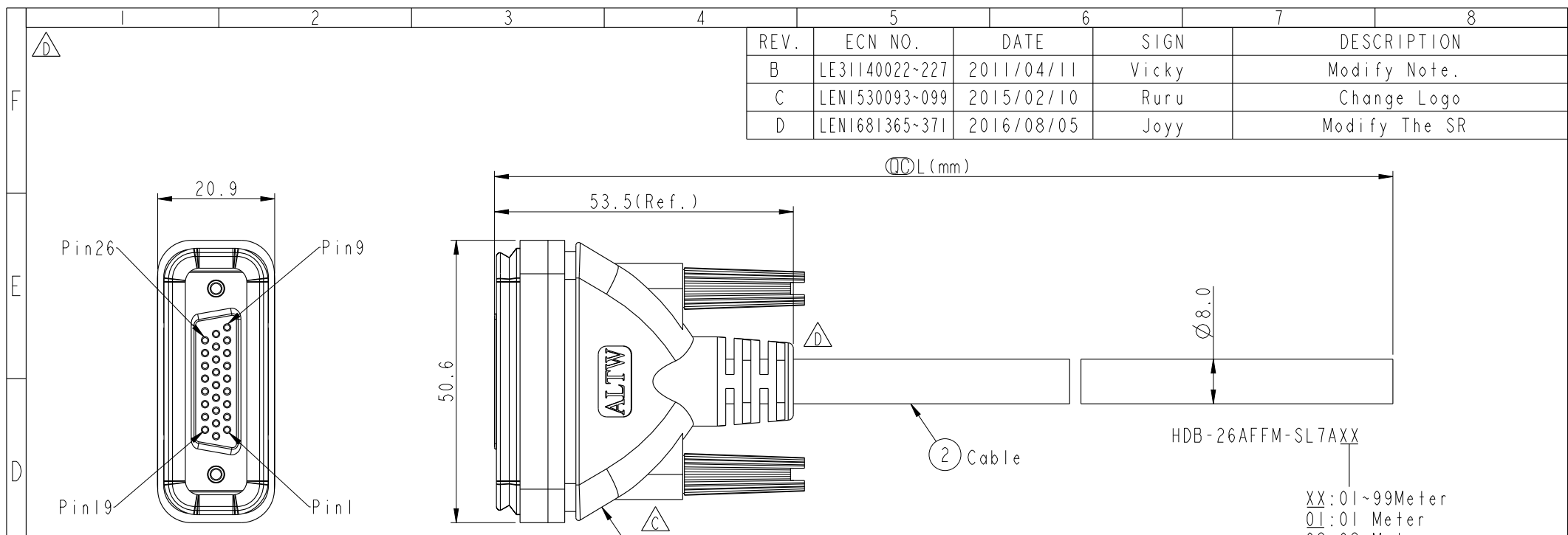


THIS DOCUMENT IS SUBJECT TO CHANGE WITHOUT NOTICE. IT IS CONFIDENTIAL AND A PROPERTY OF Amphenol LTW. DISCLOSURE TO THIRD PARTY HAS TO BE AUTHORIZED BY Amphenol LTW.

| REV. | ECN NO.        | DATE       | SIGN  | DESCRIPTION   |
|------|----------------|------------|-------|---------------|
| B    | LE31140022-227 | 2011/04/11 | Vicky | Modify Note.  |
| C    | LEN1530093-099 | 2015/02/10 | Ruru  | Change Logo   |
| D    | LEN1681365-371 | 2016/08/05 | Joy   | Modify The SR |



HDB-26AFFM-SL7AXX  
 XX: 01~99Meter  
 01: 01 Meter  
 02: 02 Meter  
 ...  
 99: 99Meters  
 Cable Length(L): 01~99Meters

| Shell | Drain       | 地線  |       |              |      |
|-------|-------------|-----|-------|--------------|------|
| 13    | Black/White | 黑/白 | 26    | Gray/Black   | 灰/黑  |
| 12    | Light Green | 淺綠  | 25    | Green/Black  | 綠/黑  |
| 11    | Purple      | 紫   | 24    | Yellow/Black | 黃/黑  |
| 10    | Orange      | 橘   | 23    | Pink/Red     | 粉紅/紅 |
| 9     | Black       | 黑   | 22    | Pink/Black   | 粉紅/黑 |
| 8     | Red         | 紅   | 21    | Orange/Black | 橘/黑  |
| 7     | Pink        | 粉紅  | 20    | Red/Black    | 紅/黑  |
| 6     | Gray        | 灰   | 19    | Purple/White | 紫/白  |
| 5     | Yellow      | 黃   | 18    | Blue/White   | 藍/白  |
| 4     | Green       | 綠   | 17    | Green/White  | 綠/白  |
| 3     | White       | 白   | 16    | Orange/White | 橘/白  |
| 2     | Blue        | 藍   | 15    | Red/White    | 紅/白  |
| 1     | Brown       | 棕   | 14    | Brown/White  | 棕/白  |
| Conn. | Wire Color  |     | Conn. | Wire Color   |      |

① HDB-26AFFM-SL7000 <sup>△</sup>  
 Color: Black



- <sup>△</sup>Note:
- \* <sup>⊘</sup> Important Dimension.
  - \* Waterproof Rate: IP67
  - \* Housing: ABS, Black
  - \* Female Pin: Copper Alloy, Gold Plated.
  - \* Gasket: EPDM, Black
  - \* Screw: Steel, Nickel Plated.
  - \* Cable: UL2464 26AWG\*26C+Drain+Al/My, PVC Jacket (UV Resistant), OD=8.0mm, Black.
  - \* Cable Length Tolerance: 01M: ±40mm  
 02M~05M: ±60mm  
 06M~10M: ±100mm  
 11M~30~: ±200mm  
 31M~99M: ±500mm

|  |  |   |             |                                      |                                |                      |                    |
|--|--|---|-------------|--------------------------------------|--------------------------------|----------------------|--------------------|
| UNIT:mm<br>TOLERANCE<br>.X ±0.25<br>.XX ±0.1<br>.XXX ±0.05<br>ANGLES ±1° |  | TITLE High Density D-SUB Cable Screw 26P F Conn F Pin |             | <b>Amphenol LTW</b><br>安費諾亮泰企業股份有限公司 | ITEM NO<br>HDB-26AFFM-SL7AXX   | DRAWN BY<br>Joyy     | DATE<br>2016-08-05 |
|  |  | SCALE 1:2   | SIZE A4     |                                      | SHEET 1 OF 1                   | CHECKED BY<br>Ma Fei | DATE<br>2016-08-05 |
|  |  | REV. D  | WC-REV. A.2 |                                      | <sup>⊘</sup> : Inspection item | APPROVED BY<br>Jerry | DATE<br>2016-08-05 |

## X-ON Electronics

Largest Supplier of Electrical and Electronic Components

*Click to view similar products for [D-Sub Cables](#) category:*

*Click to view products by [Amphenol](#) manufacturer:*

Other Similar products are found below :

[1200980218](#) [1200980067](#) [RB09P09P-006](#) [RB09P09P-012](#) [RB15P15P-006](#) [RB25P25P-006](#) [RB25P25P-012](#) [RB37P37P-024](#) [172-0906](#)  
[SHD15P15S-012](#) [SHD15P15S-036](#) [SHD15P15S-060](#) [ACL-10137-2MM](#) [RB09P09P-024](#) [319285-3](#) [RS422-OM2](#) [SHD26P26S-060](#)  
[SHD44P44S-036](#) [73-6210MM-6](#) [C200H-CN320-EU](#) [49725A 060S2](#) [73231-1321](#) [SDB-50AFFM-SL7A02](#) [49760A 060S2](#) [HDB-26AFFM-](#)  
[SL7A02](#) [30-9503P](#) [30-9522P](#) [73-6220MM-6](#) [1200980058](#) [1200980066](#) [1200980078](#) [1200980052](#) [1200980093](#) [1200980028](#) [1200980021](#)  
[1200980127](#) [SDB-09AFFM-SL7A02](#) [SDB-15AMMM-SL7A01](#) [BB-LDVYCBL](#) [83421-9286](#) [MLDM2L-21P-6K7-18B](#) [KSFD1](#) [MM-2J2-021-](#)  
[SS1-41WN](#) [HDB-78AMMM-SL7A05](#) [SDB-37AMMM-SL7A03](#) [SDB-15AFFM-SL7A05](#) [ACC-500-163-R](#) [172-1910](#) [2900907/21.4](#) [30-](#)  
[9506MF](#)