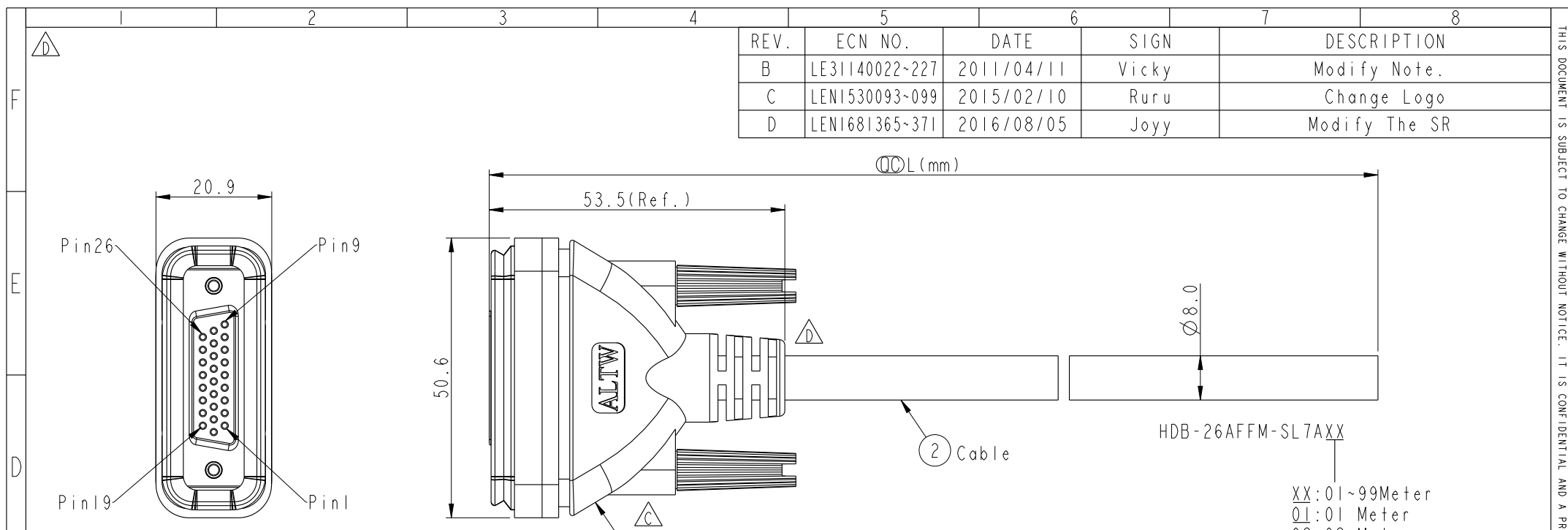


THIS DOCUMENT IS SUBJECT TO CHANGE WITHOUT NOTICE. IT IS CONFIDENTIAL AND A PROPERTY OF Amphenol LTW. DISCLOSURE TO THIRD PARTY HAS TO BE AUTHORIZED BY Amphenol LTW.

REV.	ECN NO.	DATE	SIGN	DESCRIPTION
B	LE31140022~227	2011/04/11	Vicky	Modify Note.
C	LEN1530093-099	2015/02/10	Ruru	Change Logo
D	LEN1681365~371	2016/08/05	Joy	Modify The SR



HDB-26AFFM-SL7AXX  
 XX: 01~99Meter  
 01: 01 Meter  
 02: 02 Meter  
 ...  
 99: 99Meters  
 Cable Length(L): 01~99Meters

Shell	Drain	地線			
13	Black/White	黑/白	26	Gray/Black	灰/黑
12	Light Green	淺綠	25	Green/Black	綠/黑
11	Purple	紫	24	Yellow/Black	黃/黑
10	Orange	橘	23	Pink/Red	粉紅/紅
9	Black	黑	22	Pink/Black	粉紅/黑
8	Red	紅	21	Orange/Black	橘/黑
7	Pink	粉紅	20	Red/Black	紅/黑
6	Gray	灰	19	Purple/White	紫/白
5	Yellow	黃	18	Blue/White	藍/白
4	Green	綠	17	Green/White	綠/白
3	White	白	16	Orange/White	橘/白
2	Blue	藍	15	Red/White	紅/白
1	Brown	棕	14	Brown/White	棕/白
Conn.	Wire Color		Conn.	Wire Color	

① HDB-26AFFM-SL7000 <sup>△</sup>  
 Color: Black



- <sup>△</sup>Note:
- \* <sup>⊘</sup> Important Dimension.
  - \* Waterproof Rate: IP67
  - \* Housing: ABS, Black
  - \* Female Pin: Copper Alloy, Gold Plated.
  - \* Gasket: EPDM, Black
  - \* Screw: Steel, Nickel Plated.
  - \* Cable: UL2464 26AWG\*26C+Drain+Al/My, PVC Jacket (UV Resistant), OD=8.0mm, Black.
  - \* Cable Length Tolerance: 01M: ±40mm  
 02M~05M: ±60mm  
 06M~10M: ±100mm  
 11M~30~: ±200mm  
 31M~99M: ±500mm

UNIT:mm TOLERANCE .X ±0.25 .XX ±0.1 .XXX ±0.05 ANGLES ±1°	TITLE High Density D-SUB Cable Screw 26P F Conn F Pin		<b>Amphenol LTW</b> 安費諾亮泰企業股份有限公司		ITEM NO HDB-26AFFM-SL7AXX	DRAWN BY Joyy	DATE 2016-08-05
	SCALE 1:2	SIZE A4			SHEET 1 OF 1	CHECKED BY Ma Fei	DATE 2016-08-05
	REV. D	WC-REV. A.2			<sup>⊘</sup> : Inspection item	APPROVED BY Jerry	DATE 2016-08-05

## X-ON Electronics

Largest Supplier of Electrical and Electronic Components

*Click to view similar products for [D-Sub Cables](#) category:*

*Click to view products by [Amphenol](#) manufacturer:*

Other Similar products are found below :

[1200980218](#) [1200980067](#) [RB09P09P-006](#) [RB09P09P-012](#) [RB15P15P-006](#) [RB25P25P-006](#) [RB25P25P-012](#) [RB37P37P-024](#) [172-0906](#)  
[SHD15P15S-012](#) [SHD15P15S-036](#) [SHD15P15S-060](#) [ACL-10137-2MM](#) [RB09P09P-024](#) [319285-3](#) [RS422-OM2](#) [SHD26P26S-060](#)  
[SHD44P44S-036](#) [73-6210MM-6](#) [C200H-CN320-EU](#) [49725A 060S2](#) [73231-1321](#) [SDB-50AFFM-SL7A02](#) [49760A 060S2](#) [CS-](#)  
[DSDMDB09MM-050](#) [HDB-26AFFM-SL7A02](#) [30-9503P](#) [30-9522P](#) [73-6220MM-6](#) [1200980058](#) [1200980066](#) [1200980078](#) [1200980052](#)  
[1200980093](#) [1200980028](#) [1200980021](#) [1200980127](#) [SDB-09AFFM-SL7A02](#) [SDB-15AMMM-SL7A01](#) [BB-LDVYCBL](#) [83421-9286](#)  
[MLDM2L-21P-6K7-18B](#) [KSFD1](#) [MM-2J2-021-SS1-41WN](#) [HDB-78AMMM-SL7A05](#) [SDB-37AMMM-SL7A03](#) [SDB-15AFFM-SL7A05](#)  
[ACC-500-163-R](#) [172-1910](#) [2900907/21.4](#)