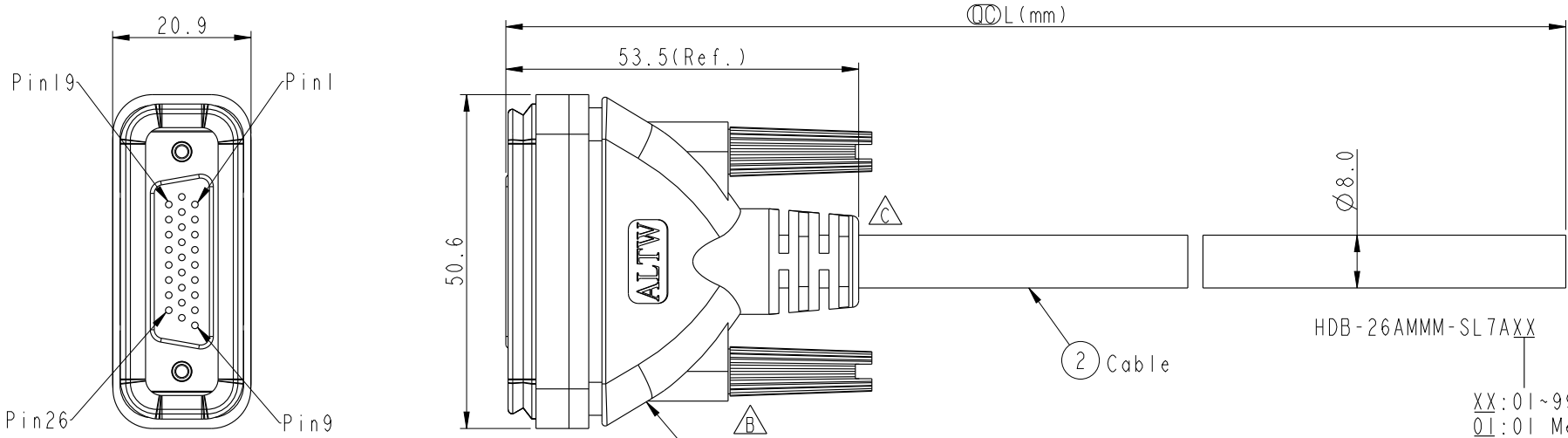


THIS DOCUMENT IS SUBJECT TO CHANGE WITHOUT NOTICE. IT IS CONFIDENTIAL AND A PROPERTY OF Amphenol LTW. DISCLOSURE TO THIRD PARTY HAS TO BE AUTHORIZED BY Amphenol LTW.

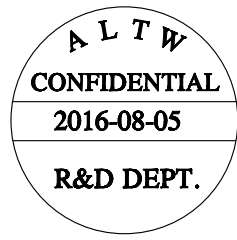
REV.	ECN NO.	DATE	SIGN	DESCRIPTION
B	LEN1530101-105	2015/02/10	Ruru	Change Logo
C	LEN1681372-376	2016/08/05	Joyy	Modify The SR & Wire Color



HDB-26AMMM-SL7AXX
 XX: 01~99Meter
 01: 01 Meter
 02: 02 Meter
 ...
 99: 99Meters
 Cable Length(L): 01~99Meters

Shell	Drain	地線			
13	Black/White	黑/白	26	Gray/Black	灰/黑
12	Light Green	淺綠	25	Green/Black	綠/黑
11	Purple	紫	24	Yellow/Black	黃/黑
10	Orange	橘	23	Pink/Red	粉紅/紅
9	Black	黑	22	Pink/Back	粉紅/黑
8	Red	紅	21	Orange/Black	橘/黑
7	Pink	粉紅	20	Red/Black	紅/黑
6	Gray	灰	19	Puple/White	紫/白
5	Yellow	黃	18	Blue/White	藍/白
4	Green	綠	17	Green/White	綠/白
3	White	白	16	Orange/White	橘/白
2	Blue	藍	15	Red/White	紅/白
1	Brown	棕	14	Brown/White	棕/白
Conn.	Wire Color		Conn.	Wire Color	

① HDB-26AMMM-SL7000
 Color: Black



- Note:
- * Ⓞ Important Dimension.
 - * Waterproof Rate: IP67
 - * Housing: ABS, Black
 - * Female Pin: Copper Alloy, Gold Plated.
 - * Gasket: EPDM, Black
 - * Screw: Steel, Nickel Plated.
 - * Cable: UL2464 26AWG*26C+Drain+Al/My, PVC Jacket (UV Resistant), OD=8.0mm, Black.
 - * Cable Length Tolerance:
 - 01M~05M: ±40mm
 - 06M~10M: ±100mm
 - 11M~30M: ±200mm
 - 31M~99M: ±500mm

UNIT:mm			TITLE High Density D-SUB Cable Screw 26P M Conn M Pin
TOLERANCE .X ±0.25 .XX ±0.1 .XXX ±0.05 ANGLES ±1°	SCALE 1:2	SIZE A4	SHEET 1 OF 1
REV. C	WC-REV. A.2	Ⓞ: Inspection item	

Amphenol LTW
 安費諾亮泰企業股份有限公司

ITEM NO	DRAWN BY Joyy	DATE 2016-08-05
DWG NO HDB-26AMMM-SL7AXX	CHECKED BY Ma Fei	DATE 2016-08-05
CUSTOMER ALTW	APPROVED BY Jerry	DATE 2016-08-05

X-ON Electronics

Largest Supplier of Electrical and Electronic Components

Click to view similar products for [D-Sub Cables](#) category:

Click to view products by [Amphenol](#) manufacturer:

Other Similar products are found below :

[1200980218](#) [1200980067](#) [RB09P09P-006](#) [RB09P09P-012](#) [RB15P15P-006](#) [RB25P25P-006](#) [RB25P25P-012](#) [RB37P37P-024](#) [172-0906](#)
[SHD15P15S-012](#) [SHD15P15S-036](#) [SHD15P15S-060](#) [ACL-10137-2MM](#) [RB09P09P-024](#) [319285-3](#) [RS422-OM2](#) [SHD26P26S-060](#)
[SHD44P44S-036](#) [73-6210MM-6](#) [C200H-CN320-EU](#) [49725A 060S2](#) [73231-1321](#) [SDB-50AFFM-SL7A02](#) [49760A 060S2](#) [CS-](#)
[DSDMDB09MM-050](#) [HDB-26AFFM-SL7A02](#) [30-9503P](#) [30-9522P](#) [73-6220MM-6](#) [1200980058](#) [1200980066](#) [1200980078](#) [1200980052](#)
[1200980093](#) [1200980028](#) [1200980021](#) [1200980127](#) [SDB-09AFFM-SL7A02](#) [SDB-15AMMM-SL7A01](#) [BB-LDVYCBL](#) [83421-9286](#)
[MLDM2L-21P-6K7-18B](#) [KSFD1](#) [MM-2J2-021-SS1-41WN](#) [HDB-78AMMM-SL7A05](#) [SDB-37AMMM-SL7A03](#) [SDB-15AFFM-SL7A05](#)
[ACC-500-163-R](#) [172-1910](#) [2900907/21.4](#)