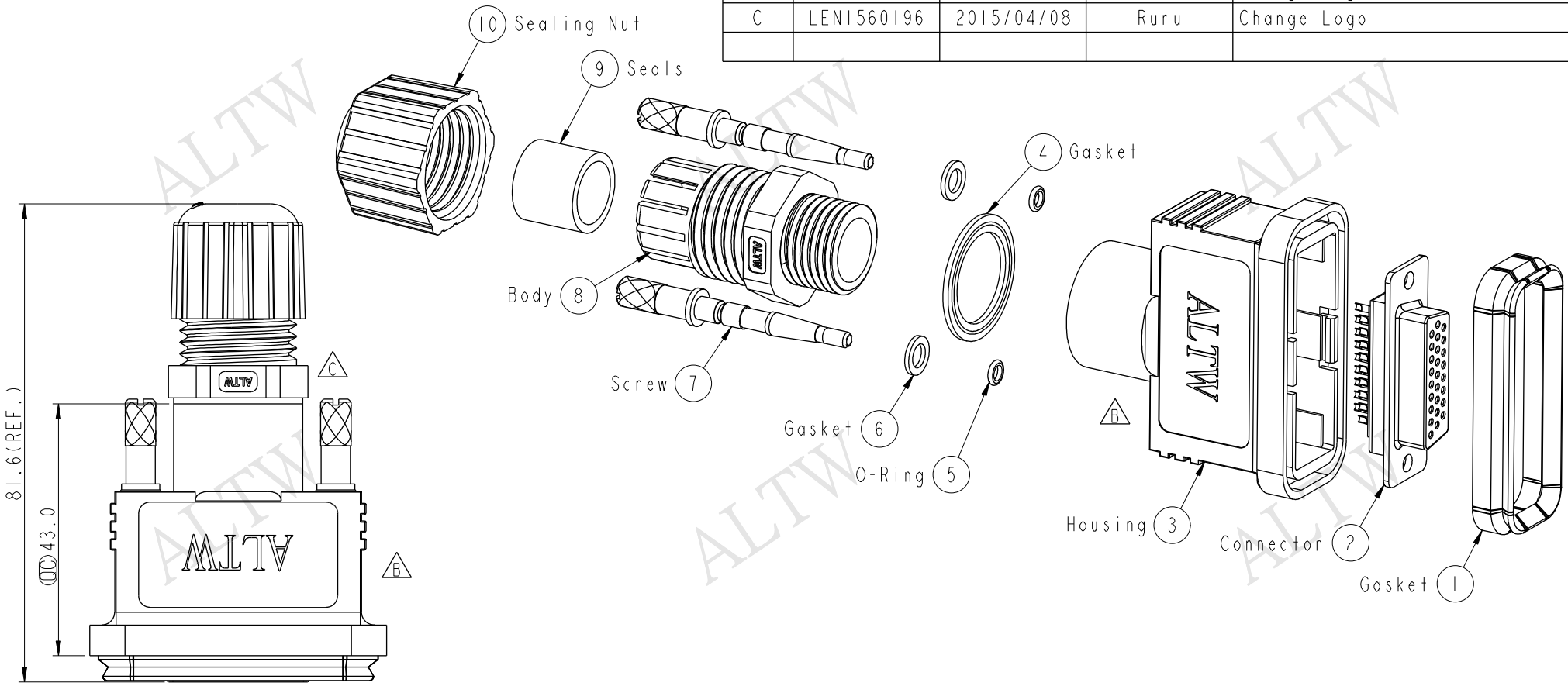


REV.	ECN NO.	DATE	SIGN	DESCRIPTION
B	LEN1520153	2015/01/27	Ruru	Change Logo
C	LEN1560196	2015/04/08	Ruru	Change Logo



**ALTW**  
 CONFIDENTIAL  
 2015-04-08  
 R&D DEPT.

- Notes:
- \*  $\varnothing$  Important Dimension To Check
  - \* Waterproof Rate: IP67
  - \* Housing: ABS 94V-0, Black
  - \* Connector: HD-SUB 26Pin Female
  - \* Seals for Cable OD:  $\varnothing 6.0\text{mm} \sim \varnothing 10.0\text{mm}$
  - \* One Set Unassembled in One PE Bag

UNIT: mm 	TITLE HD-SUB Conn. Assy Screw HD26Pin F Conn. F Pin			<b>Amphenol LTW</b> 安費諾亮泰企業股份有限公司		ITEM NO. HDB-26BFFA-SL7001	DRAWN BY Ruru	DATE 2015-04-08
	SCALE 1:1	SIZE A4	SHEET 1 OF 1			DWG NO. HDB-26BFFA-SL7001	CHECKED BY Rita	DATE 2015-04-08
	REV. C	WC-REV. A.3	$\varnothing$ : Inspection item	CUSTOMER ALTW	APPROVED BY Lion	DATE 2015-04-08		
						6	7	8

THIS DOCUMENT IS SUBJECT TO CHANGE WITHOUT NOTICE. IT IS CONFIDENTIAL AND A PROPERTY OF Amphenol LTW. DISCLOSURE TO THIRD PARTY HAS TO BE AUTHORIZED BY Amphenol LTW.

## X-ON Electronics

Largest Supplier of Electrical and Electronic Components

*Click to view similar products for [D-Sub Standard Connectors](#) category:*

*Click to view products by [Amphenol](#) manufacturer:*

Other Similar products are found below :

[56F706-005-LI](#) [56F711-015](#) [012-9507-004](#) [LV242999-142T12](#) [015-0341-000](#) [015-0372-005](#) [015-0372-008](#) [015-8755-001](#) [020419-0104](#)  
[012-0467-000](#) [012-9507-034](#) [012-9507-114](#) [020745-0008](#) [609-25P](#) [CT2-18-11PCAU](#) [CT6-10SL-3SC](#) [CT6-10SL-4SC](#) [CT6-14S-2SC](#)  
[CT6E14SA7SC](#) [CT6N10SL-4SSA34](#) [M83513/01-FC](#) [M83723/76W24619 L/C](#) [M85049/48-3-2F](#) [6STD09PCM99B70X](#) [6STD09SCM99B30X](#)  
[6STD09SCT99S40X](#) [6STD15PCT99S40X](#) [6STD15SCT99S40X](#) [6STF09PCM05B70X](#) [7-135760-9](#) [MC11E-10-6SN](#) [747552-3](#) [MD1-21PS](#)  
[MDM-15SCBRM7-F222](#) [MDM96517-699](#) [MDM96521-744](#) [MDVB1-21SL1](#) [MIK0-1-7SH003](#) [MIKQ6-7SH076](#) [MIKQ7-7PH077](#) [MIKQ7-](#)  
[7PH11](#) [MIKQ7-7PH32](#) [MJSV-28SL61](#) [MKJ4A1F14-55S](#) [8-135760-3](#) [8STD09PCM99B30X](#) [PG-KV/PV-16-GROM-SEALING](#) [GDA15P](#)  
[GDAY15PB](#) [980-0000-170](#)