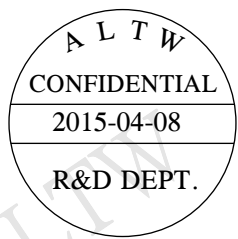
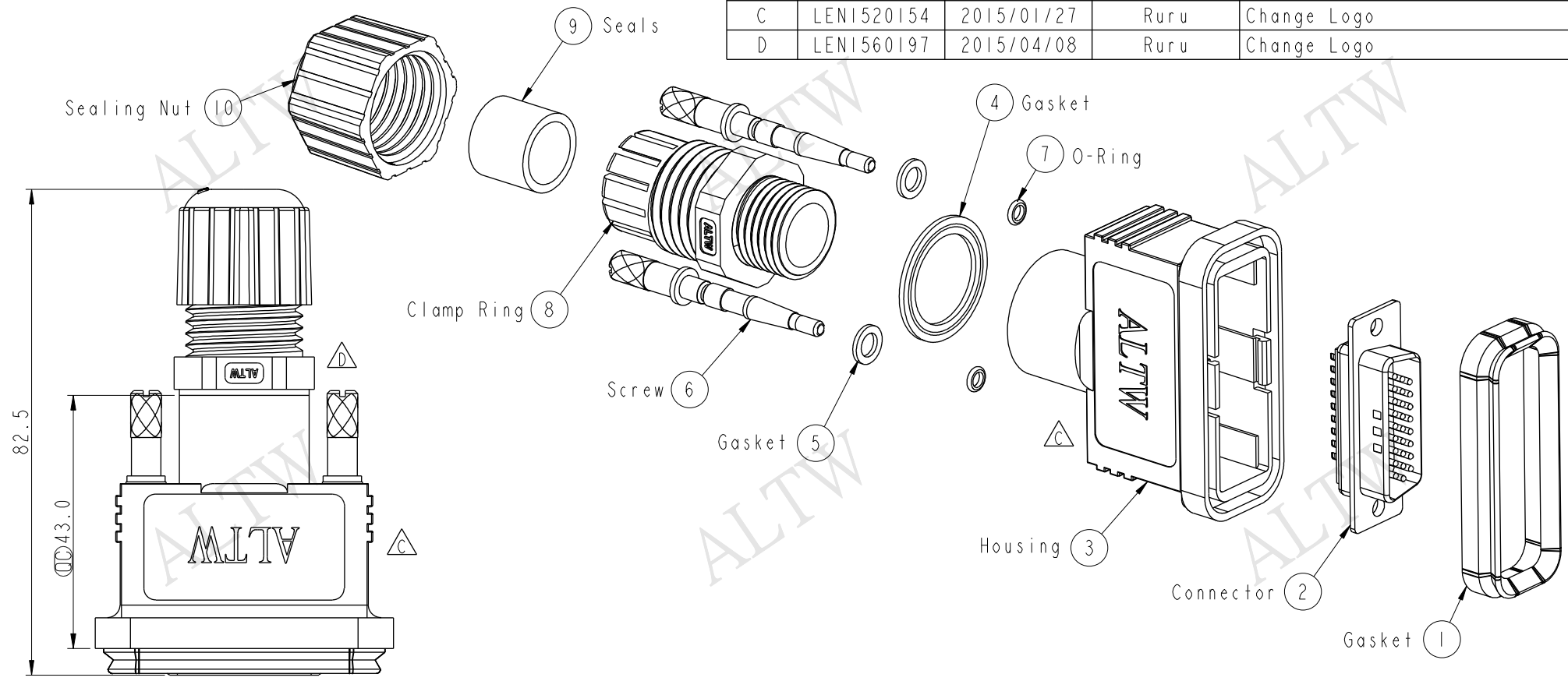


THIS DOCUMENT IS SUBJECT TO CHANGE WITHOUT NOTICE. IT IS CONFIDENTIAL AND A PROPERTY OF AMPHENOL LTW. DISCLOSURE TO THIRD PARTY HAS TO BE AUTHORIZED BY AMPHENOL LTW.

REV.	ECN NO.	DATE	SIGN	DESCRIPTION
B	LEN-770343	2007/07/16	Robert Hsu	Correct pin layout
C	LEN1520154	2015/01/27	Ruru	Change Logo
D	LEN1560197	2015/04/08	Ruru	Change Logo



- Notes:
- * \varnothing Important Dimension To Check
 - * Waterproof Rate: IP67
 - * Connector : HD-SUB 26Pin Male
 - * Pin: Copper Alloy, Gold Plated
 - * Seals for Cable OD: \varnothing 6.0mm~ \varnothing 10.0mm
 - * One Set Unassembled in One PE Bag

UNIT: mm		TITLE		Amphenol LTW	ITEM NO.	DRAWN BY	DATE
		HD-SUB Conn. Assy Screw HD26Pin M Conn. M Pin			HDB-26BMMMA-SL7001	Ruru	2015-04-08
TOLERANCE		SCALE	SIZE	安費諾亮泰企業股份有限公司	DWG NO.	CHECKED BY	DATE
.X ±0.25		1:1	A4		HDB-26BMMMA-SL7001	Rita	2015-04-08
.XX ±0.1		REV.	WC-REV.	CUSTOMER	APPROVED BY	DATE	
.XXX ±0.05		D	A.3	ALTW	Lion	2015-04-08	
ANGLES ±1°		: Inspection item					

X-ON Electronics

Largest Supplier of Electrical and Electronic Components

Click to view similar products for [D-Sub Standard Connectors](#) category:

Click to view products by [Amphenol](#) manufacturer:

Other Similar products are found below :

[56F706-005-LI](#) [56F711-015](#) [012-9507-004](#) [LV242999-142T12](#) [015-0341-000](#) [015-0372-005](#) [015-0372-008](#) [015-8755-001](#) [020419-0104](#)
[012-0467-000](#) [012-9507-034](#) [012-9507-114](#) [020745-0008](#) [609-25P](#) [CT2-18-11PCAU](#) [CT6-10SL-3SC](#) [CT6-10SL-4SC](#) [CT6-14S-2SC](#)
[CT6E14SA7SC](#) [CT6N10SL-4SSA34](#) [M83513/01-FC](#) [M83723/76W24619 L/C](#) [M85049/48-3-2F](#) [6STD09PCM99B70X](#) [6STD09SCM99B30X](#)
[6STD09SCT99S40X](#) [6STD15PCT99S40X](#) [6STD15SCT99S40X](#) [6STF09PCM05B70X](#) [7-135760-9](#) [MC11E-10-6SN](#) [747552-3](#) [MD1-21PS](#)
[MDM-15SCBRM7-F222](#) [MDM96517-699](#) [MDM96521-744](#) [MDVB1-21SL1](#) [MIK0-1-7SH003](#) [MIKQ6-7SH076](#) [MIKQ7-7PH077](#) [MIKQ7-](#)
[7PH11](#) [MIKQ7-7PH32](#) [MJSV-28SL61](#) [MKJ4A1F14-55S](#) [8-135760-3](#) [8STD09PCM99B30X](#) [PG-KV/PV-16-GROM-SEALING](#) [GDA15P](#)
[GDAY15PB](#) [980-0000-170](#)