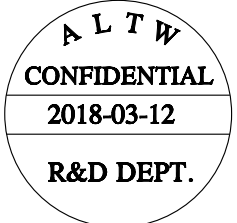
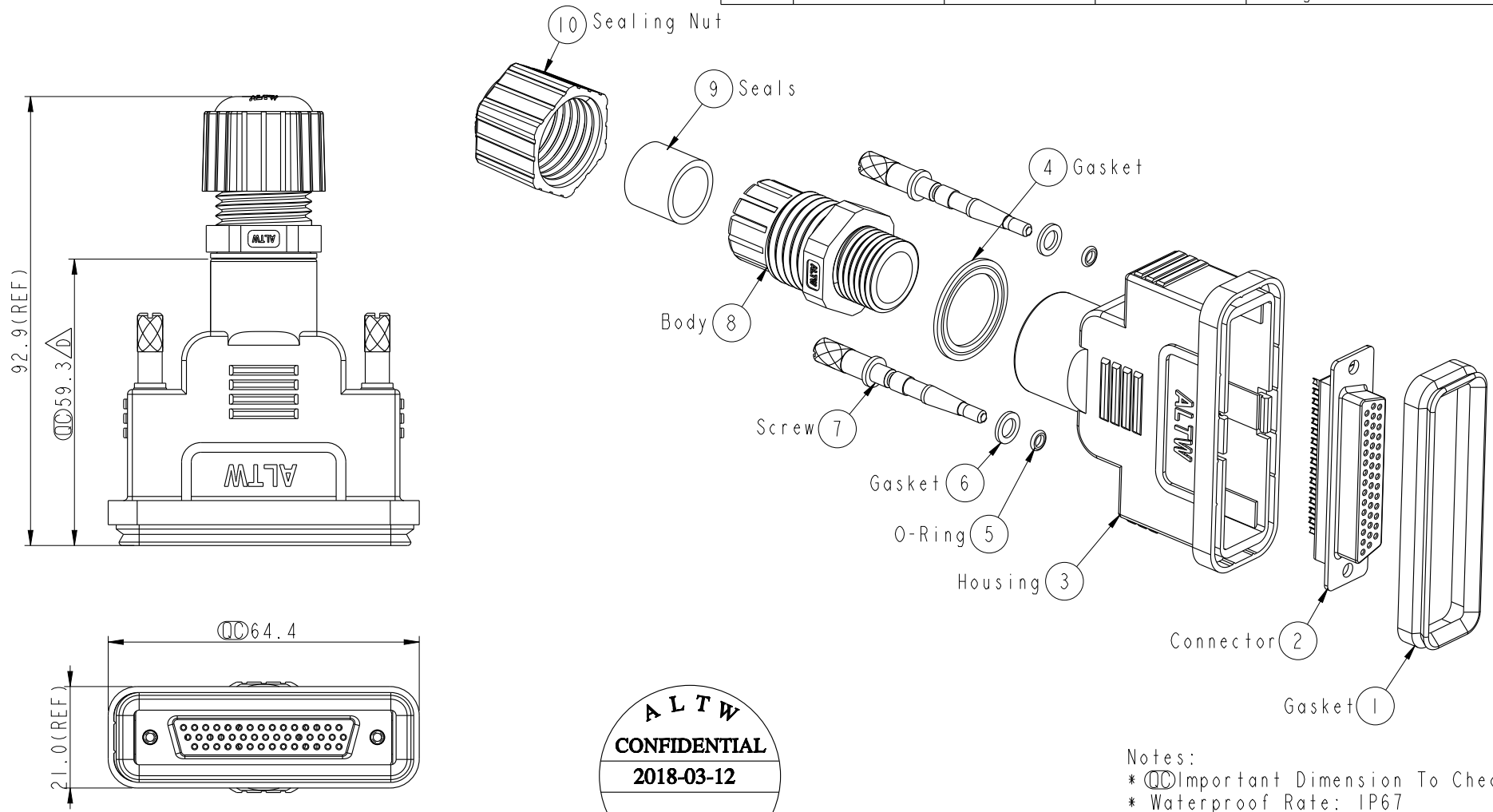


REV.	ECN NO.	DATE	SIGN	DESCRIPTION
B	LEN1160159	2011/05/06	Jiang Jun Hua	Change 21.0 To 21.0(Ref)
C	LEN1560182	2015/04/07	Ruru	Change Logo
D	LEN1830078	2018/03/12	Ethan	Change Dimension



- Notes:
- * \varnothing Important Dimension To Check
 - * Waterproof Rate: IP67
 - * Housing : ABS, UL94V-0
 - * Connector : HD-SUB 44Pin Female
 - * Seals For Cable OD: $\varnothing 6.0\text{mm} \sim \varnothing 10.0\text{mm}$
 - * One Set Unassembled in One PE Bag

UNIT:mm

TOLERANCE $\pm 0.5\text{mm}$

TITLE HD-SUB Conn. Assy Screw HD44Pin F Conn. F Pin			
SCALE 1:1	SIZE A4	SHEET 1 OF 1	
REV. D	WC-REV. A.3	\varnothing : Inspection item	

Amphenol LTW
安費諾亮泰企業股份有限公司

ITEM NO HDB-44BFFA-SL7001	DRAWN BY Ethan	DATE 2018-03-12
DWG NO HDB-44BFFA-SL7001	CHECKED BY Feng Li	DATE 2018-03-12
CUSTOMER ALTW	APPROVED BY Jerry	DATE 2018-03-12

THIS DOCUMENT IS SUBJECT TO CHANGE WITHOUT NOTICE. IT IS CONFIDENTIAL AND A PROPERTY OF Amphenol LTW. DISCLOSURE TO THIRD PARTY HAS TO BE AUTHORIZED BY Amphenol LTW.

X-ON Electronics

Largest Supplier of Electrical and Electronic Components

Click to view similar products for [D-Sub Standard Connectors](#) category:

Click to view products by [Amphenol](#) manufacturer:

Other Similar products are found below :

[56F706-005-LI](#) [56F711-015](#) [LV242999-142T12](#) [015-0341-000](#) [015-0372-005](#) [015-0372-008](#) [015-8755-001](#) [020419-0104](#) [012-0467-000](#)
[012-9507-034](#) [012-9507-114](#) [020745-0008](#) [609-25P](#) [CT2-18-11PCAU](#) [CT6-10SL-3SC](#) [CT6-10SL-4SC](#) [CT6-14S-2SC](#) [CT6E14SA7SC](#)
[CT6N10SL-4SSA34](#) [M83513/01-FC](#) [M83723/76W24619 L/C](#) [M85049/48-3-2F](#) [6STD09PCM99B70X](#) [6STD09SCM99B30X](#)
[6STD09SCT99S40X](#) [6STD15PCT99S40X](#) [6STD15SCT99S40X](#) [6STF09PCM05B70X](#) [7-135760-9](#) [MC11E-10-6SN](#) [747552-3](#) [MD1-21PS](#)
[MDM-15SCBRM7-F222](#) [MDM96517-699](#) [MDM96521-744](#) [MDVB1-21SL1](#) [MIK0-1-7SH003](#) [MIKQ6-7SH076](#) [MIKQ7-7PH077](#) [MIKQ7-](#)
[7PH11](#) [MIKQ7-7PH32](#) [MJSV-28SL61](#) [MKJ4A1F14-55S](#) [8-135760-3](#) [8STD09PCM99B30X](#) [PG-KV/PV-16-GROM-SEALING](#) [GDA15P](#)
[GDAY15PB](#) [980-0000-170](#) [980-0000-171](#)