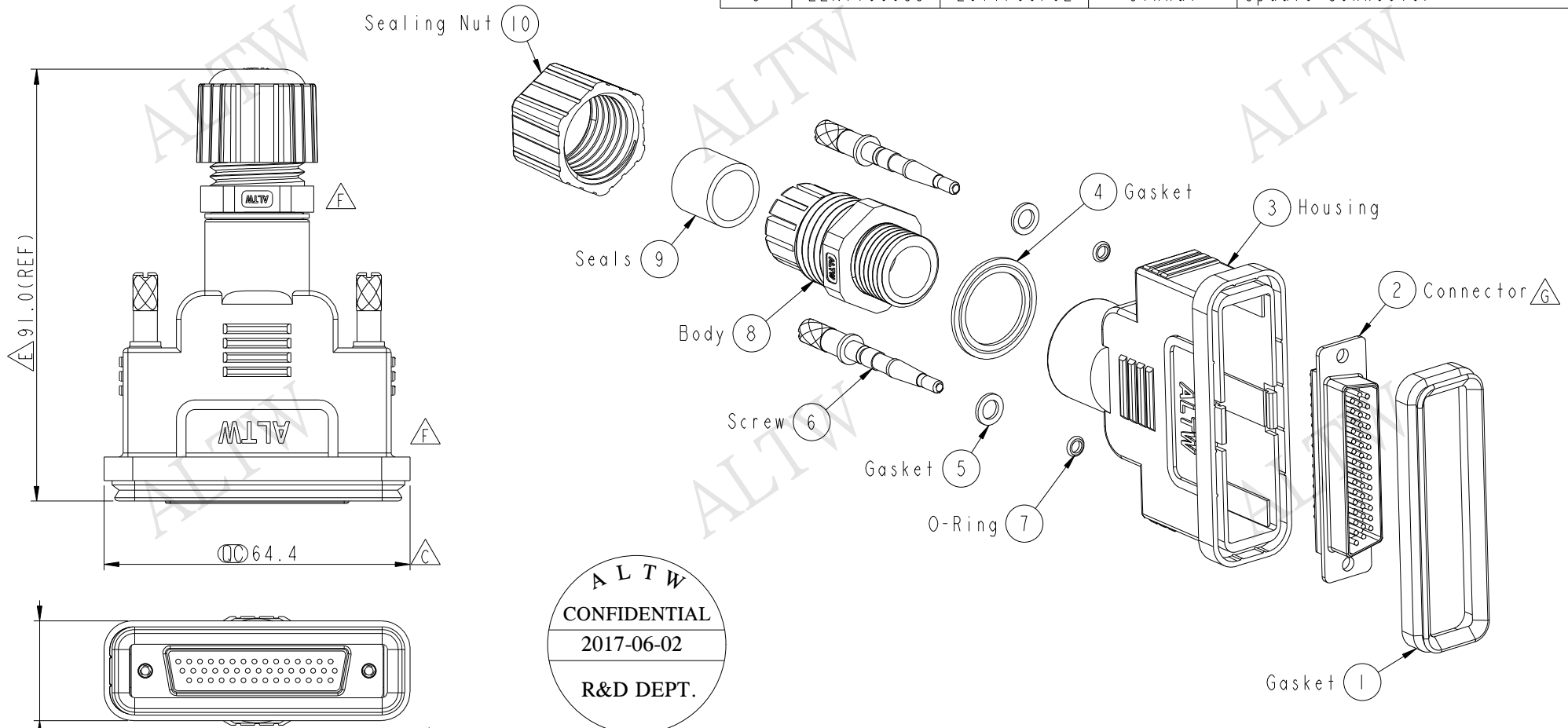


REV.	ECN NO.	DATE	SIGN	DESCRIPTION
E	LEN1390034	2013/05/14	Lu Di	Update Dimensions
F	LEN1560183	2015/04/08	Ruru	Change Logo
G	LEN1760058	2017/06/02	Jinhai	Update Connector



ALTW
 CONFIDENTIAL
 2017-06-02
 R&D DEPT.

Note:
 * \varnothing Important Dimension To Check
 * Waterproof Rate: IP67
 * Housing: ABS 94V-0, Black
 * Connector: HD-SUB 44Pin
 * Seals For Cable OD: $\varnothing 6.0\text{mm}-\varnothing 10.0\text{mm}$
 * One Set Unassembled in One PE Bag

UNIT: mm TOLERANCE .X ±0.25 .XX ±0.1 .XXX ±0.05 ANGLES ±1°	TITLE HD-SUB 44Pin Assembly Type			Amphenol LTW 安費諾亮泰企業股份有限公司		ITEM NO HDB-44BMMA-SL7001	DRAWN BY Jinhai	DATE 2017-06-02
	SCALE 1:5	SIZE A4	SHEET 1 OF 1			DWG NO HDB-44BMMA-SL7001	CHECKED BY Feng-Li	DATE 2017-06-02
	REV. G	WC-REV. A.4	\varnothing : Inspection item			CUSTOMER ALTW	APPROVED BY Jerry	DATE 2017-06-02
								8 FMM10702-01-02A1

THIS DOCUMENT IS SUBJECT TO CHANGE WITHOUT NOTICE. IT IS CONFIDENTIAL AND A PROPERTY OF Amphenol LTW. DISCLOSURE TO THIRD PARTY HAS TO BE AUTHORIZED BY Amphenol LTW.

X-ON Electronics

Largest Supplier of Electrical and Electronic Components

Click to view similar products for [D-Sub Standard Connectors](#) category:

Click to view products by [Amphenol](#) manufacturer:

Other Similar products are found below :

[56F706-005-LI](#) [56F711-015](#) [012-9507-004](#) [LV242999-142T12](#) [015-0341-000](#) [015-0372-005](#) [015-0372-008](#) [015-8755-001](#) [020419-0104](#)
[012-0467-000](#) [012-9507-034](#) [012-9507-114](#) [020745-0008](#) [609-25P](#) [CT2-18-11PCAU](#) [CT6-10SL-3SC](#) [CT6-10SL-4SC](#) [CT6-14S-2SC](#)
[CT6E14SA7SC](#) [CT6N10SL-4SSA34](#) [M83513/01-FC](#) [M83723/76W24619 L/C](#) [M85049/48-3-2F](#) [6STD09PCM99B70X](#) [6STD09SCM99B30X](#)
[6STD09SCT99S40X](#) [6STD15PCT99S40X](#) [6STD15SCT99S40X](#) [6STF09PCM05B70X](#) [7-135760-9](#) [MC11E-10-6SN](#) [747552-3](#) [MD1-21PS](#)
[MDM-15SCBRM7-F222](#) [MDM96517-699](#) [MDM96521-744](#) [MDVB1-21SL1](#) [MIK0-1-7SH003](#) [MIKQ6-7SH076](#) [MIKQ7-7PH077](#) [MIKQ7-](#)
[7PH11](#) [MIKQ7-7PH32](#) [MJSV-28SL61](#) [MKJ4A1F14-55S](#) [8-135760-3](#) [8STD09PCM99B30X](#) [PG-KV/PV-16-GROM-SEALING](#) [GDA15P](#)
[GDAY15PB](#) [980-0000-170](#)